



Husqvarna®

BA101

EAC

EN	Operator's manual	2-10
BG	Ръководство за експлоатация	11-21
CS	Návod k použití	22-31
DA	Brugsanvisning	32-41
DE	Bedienungsanweisung	42-52
EL	Οδηγίες χρήσης	53-63
ES	Manual de usuario	64-73
ET	Kasutusjuhend	74-82
FI	Käyttöohje	83-91
FR	Manuel d'utilisation	92-101
HU	Használati utasítás	102-111
LT	Operatoriaus vadovas	112-120
LV	Lietošanas pamācība	121-130
NL	Gebbruiksaanwijzing	131-140
NO	Bruksanvisning	141-149
PL	Instrukcja obsługi	150-159
PT	Manual do utilizador	160-169
RO	Instrucțiuni de utilizare	170-179
RU	Руководство по эксплуатации	180-190
SK	Návod na obsluhu	191-200
SL	Navodila za uporabo	201-209
SV	Bruksanvisning	210-218
TR	Kullanım kılavuzu	219-227
EN-US	Operator's manual	228-234
ES-MX	Manual del usuario	235-241
FR-CA	Manuel d'utilisation	242-249
IT-US	Manuale dell'operatore	250-258

Contents

Introduction.....	2	Transportation, storage and disposal.....	7
Safety.....	3	Technical data.....	7
Operation.....	6	Declaration of Conformity.....	9
Maintenance.....	6		

Introduction

Product description

We have a policy of continuous product development and therefore reserve the right to modify the design and appearance of the products without prior notice.

Note: This manual cover both gasoline operated and battery operated power units.

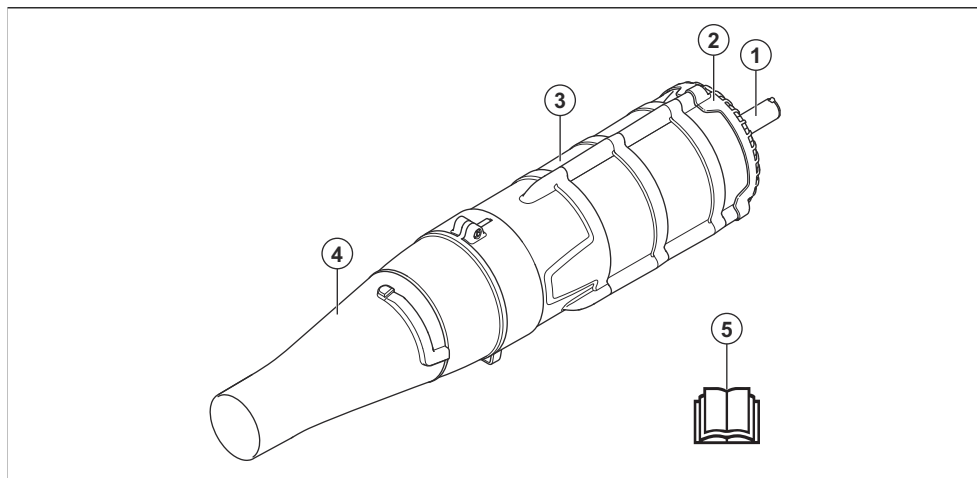
Intended use



WARNING: This attachment may only be used together with the intended power unit. See the accessory chapter in the Operator's manual for the power unit.

The attachment is only designed for blowing lawns, pathways, asphalt roads and the like.

Attachment overview



1. Shaft
2. Air intake screen
3. Fan housing
4. Air nozzle
5. Operator's manual



Read the operator's manual carefully and make sure you understand the instructions before you use the attachment.



Symbols on the attachment and on the power unit



Careless or incorrect use of this attachment can result in serious or fatal injury to the operator or others.



This attachment is in accordance with applicable EC directives.



Use approved hearing, eye and breathing protection.



Use approved protective gloves.



Noise emission to the environment label as per EU and UK directives and regulations, and New South Wales legislation "Protection of the Environment Operations (Noise Control) Regulation 2017". The guaranteed sound power level

of the product is specified in *Technical data* on page 7 and on the label.



The blower operator must ensure that no people or animals come closer than 15 meters. When several operators are working at the same site a safety distance of at least 15 meters must be in effect. The blower can forcibly throw objects that can bounce back. This can result in serious eye injuries if the recommended safety equipment is not used.

Note: Other symbols/decals on the attachment refer to special certification requirements for certain markets.

Safety

Safety definitions

Warnings, cautions and notes are used to point out specially important parts of the operator's manual.



WARNING: Used if there is a risk of injury or death for the operator or bystanders if the instructions in the manual are not obeyed.



CAUTION: Used if there is a risk of damage to the product and/or the attachment, other materials or the adjacent area if the instructions in the manual are not obeyed.

Note: Used to give more information that is necessary in a given situation.

Garden blower, garden vacuum and garden blower/vacuum safety warnings

- **Before use, check the supply cord and any extension cord for signs of damage or aging.** Do not touch the cord before disconnecting the supply. Do not use the machine if the cord is damaged or worn. A damaged supply cord may result in electric shock, fire and/or serious injury.
- **Do not use the machine in bad weather conditions, especially when there is a risk of lightning.** This decreases the risk of being struck by lightning.
- **Wear eye protection and ear protection.** Adequate protective equipment will reduce the risk of personal injury.
- **While operating the machine, always wear non-slip and protective footwear. Do not operate the**

machine when barefoot or wearing open sandals. This reduces the risk of injury to the feet.

- **Do not wear loose fitting clothing or articles such as scarves, strings, chains, ties, etc., that could get drawn into the air inlets. Tie back or cover long hair to make sure it does not get drawn into the air inlets.** If any of these items are drawn into the air inlets, it can increase the risk of personal injury.
- **Keep bystanders away while operating the machine.** Thrown debris can increase the risk of personal injury.
- **Never point the blower nozzle in the direction of people or pets or in the direction of windows. Use extra caution when blowing debris near solid objects, such as trees, automobiles and walls that can cause debris to ricochet.** Thrown objects can damage property and increase the risk of personal injury.
- **Do not use the machine to blow anything that is burning or smoking, such as cigarettes, matches or hot ashes.** These ignition sources may increase the risk of fire.
- **Do not touch the fan while still in motion. Turn off the machine and wait until the fan stops before removing any part that may give access to the fan.** This reduces the risk of injury from moving parts.
- **When clearing jammed material or servicing the machine, make sure the power switch is off.** Unexpected starting of the machine while clearing jammed material or servicing may result in serious personal injury.

General safety instructions



WARNING: Read the safety instructions that follow before you use the attachment.

- Please read the operator's manual carefully and make sure you understand the instructions before using the attachment.
- This Operator's manual should be read together with the Operator's manual for the power unit to get the complete user information.
- Under no circumstances may the design of the attachment be modified without the permission of the manufacturer. Do not use an attachment that appears to have been modified by others and always use original accessories. Non-authorized modifications and/or accessories can result in serious personal injury or the death of the operator or others.

Safety instructions for operation



WARNING: Read the warning instructions that follow before you use the product.

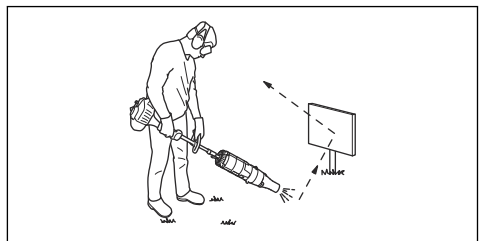


WARNING: This product produces an electromagnetic field during operation. This field may under some circumstances interfere with active or passive medical implants. To reduce the risk of serious or fatal injury, we recommend persons with medical implants to consult their physician and the medical implant manufacturer before operating this product.

- Never use the product if you are tired, if you are ill, if you have consumed alcohol, or if you are taking other drugs or medication that can affect your vision, judgement or co-ordination.
- Never use a product that is faulty.
- All covers and guards must be fitted before starting. If you have a gasoline operated product, ensure that the spark plug cap and ignition lead are undamaged to avoid the risk of electric shock.
- The blower operator must ensure that no people or animals come closer than 15 meters. When several operators are working at the same site a safety distance of at least 15 meters must be in effect.
- Never allow children to use the product.
- Never allow anyone else to use the product without first ensuring that they have read and understood the contents of the operator's manual.
- Never remove the air intake screen.
- Never touch the spark plug or ignition cable while the engine is running. Touching the spark plug or plug may result in being subjected to an electrical shock.
- Always contact local authorities and make sure you are following applicable directives.
- Keep all parts of your body away from hot surfaces.
- If you encounter a situation where you are uncertain how to proceed you should ask an expert. Contact your dealer or your service workshop. Avoid all

usage which you consider to be beyond your capability.

- Hold the opening of the blower as close to the ground as possible. Utilize the entire length of the blow pipe to keep the air stream close to the ground.
- Use the machine during normal working hours to avoid unnecessary disturbance. Avoid working early in the morning or late at night.
- Be aware of your surroundings. If anyone approaches your work area, release the throttle/power trigger until the person is at a safe distance. Direct the blower away from people, animals, play areas, open windows and cars etc. The force of air can cause rocks, dirt or sticks to be thrown or to ricochet which can injure people or animals, break glass or cause other damage.
- Never put hands or other objects into blower housing to avoid serious injury from the rotating impeller.
- Keep outside surface free from oil and fuel.
- Never use for spreading chemicals, fertilizer or other substances which may contain toxic materials.
- To avoid spreading fire, do not use near leaf or brush fire, fireplaces, barbecue pits, ashtrays, etc.
- Never douse or squirt the attachment with water or any other liquid.
- Always use both hands to hold the machine. Hold the machine at the side of your body.
- If you have a gasoline operated product, allow the engine to cool before refueling.
- The powerful streams of air can move objects at such a speed that they can bounce back and cause serious eye injuries.

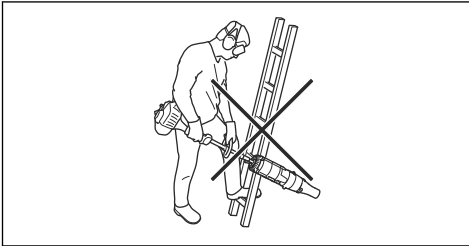


- Stop the engine/motor before assembling or dismantling accessories or other parts.
- Do not use the product in bad weather, such as dense fog, heavy rain, strong wind, intense cold, etc. Working in bad weather is tiring and can lead to dangerous conditions, e.g. slippery surfaces.
- Make sure you can move and stand safely. Check the area around you for possible obstacles (roots, rocks, branches, ditches, etc.) in case you have to

move suddenly. Take great care when working on sloping ground.



- Never put the product down with the engine/motor running unless you have it in clear sight.
- If you have a gasoline operated product, the engine exhaust fumes contain carbon monoxide, which can cause carbon monoxide poisoning. For this reason you should not start or run the product indoors, or anywhere that is poorly ventilated.
- The blower must not be used while on a ladder or scaffolding, or in high places (such as roofs). This work could result in severe injury.



- Do not use the product unless you are able to call for help in the event of an accident.
- Never place any objects in air intake opening as this could restrict proper air flow and cause damage to the unit.
- Make sure that the product do not hit any fence, tree or other hard material. This could cause damage to the machine and lead to severe injury.
- Listen out for warning signals or shouts when you are wearing hearing protection. Always remove your hearing protection as soon as the engine/motor stops.

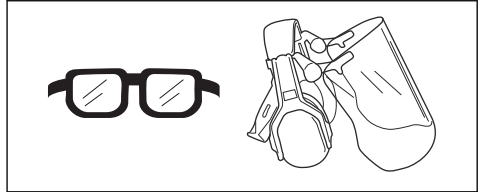
Personal protective equipment



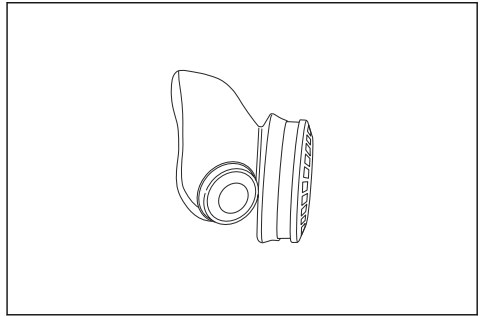
WARNING: Read the warning instructions that follow before you use the product.

- Always use approved personal protective equipment when you use the product. Personal protective equipment cannot fully prevent injury but it decreases the degree of injury if an accident does occur. Let your dealer help you select the right equipment.

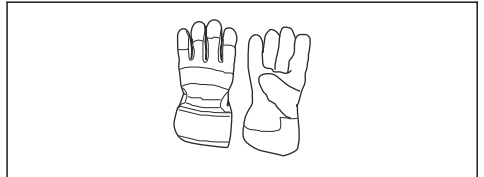
- Use approved hearing protection that provides adequate noise reduction. Long-term exposure to noise can result in permanent hearing impairment.
- Use approved eye protection. If you use a visor, you must also use approved protective goggles. Approved protective goggles must comply with the ANSI Z87.1 standard in the USAs or EN 166 in EU countries.



- Use breathing protection when there is a risk of dust.



- Use gloves when necessary, for example when you attach, examine or clean the equipment.

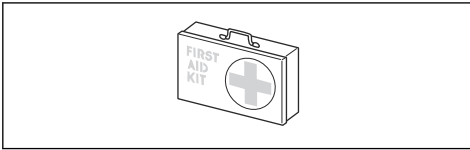


- Use sturdy non-slip boots or shoes.



- Use clothing made of a strong fabric. Always use heavy, long pants and long sleeves. Do not use loose clothing that can catch on twigs and branches. Do not wear jewelry, short pants, sandals or go with bare feet. Put your hair up safely above shoulder level.

- Keep first aid equipment close at hand.



Safety instructions for maintenance



WARNING: Read the warning instructions that follow before you operate the product.

Carry out an overall inspection of the product before use. See the maintenance schedule.

Carry out the maintenance and service instructions described in this manual. Some maintenance and service measures must be carried out by trained and qualified specialists. See instructions under the Maintenance heading.

Always check for any objects that may block the air intake screen before beginning work.

In order to prevent damage due to falling of the product, assembly and dismantling should be conducted close to the ground surface.

Operation

To use the attachment

Note: Show consideration to persons in your surroundings by avoiding using the machine at unsuitable times, such as late in the evening or early in the morning. Reduce the noise levels by limiting the number of equipment units used simultaneously. Read through and follow the simple directions so that you disturb your surroundings as little as possible.

1. Use a rake or a brush to release rubbish stuck to the ground.
2. Clean corners by starting in corners and moving outward. This will help prevent an accumulation of debris which could fly into your face.
3. Use the blower with the lowest possible throttle/speed. It is seldom necessary to use full throttle/speed, and many work procedures can be done at half throttle/speed. A lower throttle/speed means less noise and less dust, and it is also easier to keep control over the rubbish collected together/moved.
4. Minimise the blowing time by lightly wetting dusty areas or using spray equipment.

5. Reduce water consumption by using blowers instead of water hoses for different applications around the lawn and garden, such as lattices, screens, grills, porches, etc.
6. Be careful when working near plants. The force of the air could damage tender plants.
7. The speed of the air jet is regulated by means of the throttle/power trigger. Select the speed best suited for respective tasks.
8. Be aware of the wind direction. Work with the wind to make your work easier.
9. Using the blower to move large piles is time consuming and creates unnecessary noise.
10. Keep a good balance and a firm foothold.
11. Keep clearance between the tube and ground to avoid contact with the ground when working with the product.
12. Clean up afterwards. Make sure that you have not blown rubbish into someone's garden. Dispose of debris in trash receptacle.
13. When work is finished the product should be stored horizontally.

Maintenance

Introduction

Below you will find some general maintenance instructions. If you need further information please contact your service workshop.

a battery operated product, remove the battery.

To perform daily maintenance on the attachment



WARNING: Always stop the engine/motor before you clean or do maintenance on the attachment. If you have a gasoline operated product, disconnect the ignition cable from the spark plug. If you have



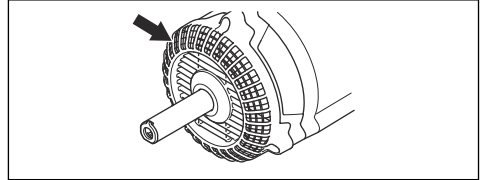
WARNING: Keep all parts of your body away from hot surfaces.

1. Clean the exterior surface of the blower.
2. Make sure that all the housing are free of cracks.
3. Make sure that the product is in perfect working order.
4. Make sure that all nuts and screws are tight.

- Clean the labels using a damp cloth with a mild detergent.

To check the air intake screen

- Check that the air intake is not blocked on all sides including the underside, for example, by leaves or rubbish. A clogged air intake reduces the product's blowing capacity and increases the working temperature of the engine/motor, which can result in engine/motor failure. Stop the engine/motor and remove the object.



Transportation, storage and disposal

Transport and storage

Perform the following steps after each use:

- Allow attachment to cool before storing or transporting.
- Store in a high, cool, dry, indoor area out of reach for children.

Seasonal storage

Prepare attachment for storage at end of season or if it will not be used for 30 days or more. If your blower attachment is to be stored for a period of time:

- Clean the unit.

- Inspect attachment for any loose or damage parts. Tighten any loose screws.
- Replace any damaged, worn or broken parts.
- At the beginning of the next season, use only fresh fuel having the proper petrol to oil ratio.

Disposal

- Obey the local recycling requirements and applicable regulations.
- When the product is no longer in use, send it to a Husqvarna dealer or discard it at a recycling location.

Technical data

Technical data for gasoline operated products

BA101	
Weight	
Weight, kg	1.9
Noise emissions	
Sound power level, measured dB (A)	111
Sound power level, guaranteed L _{WA} dB (A)	114
Sound levels ¹	
Equivalent sound pressure level at the operator's ear, measured according to EN15503 dB(A)	99

¹ The equivalent sound pressure level value is calculated with a work cycle of a duration of 1/7 for idling and 6/7 for racing. Reported data for equivalent sound pressure level for the machine has a typical statistical dispersion (standard deviation) of 1 dB(A).

BA101	
Vibration levels ²	
Equivalent vibration levels ($a_{hv,eq}$) at handles, measured according to EN 15503, m/s^2	
Front/rear handles:	5.6/8.3
Fan performance ³	
Max. air velocity with standard nozzle, m/s:	46
Air flow with standard nozzle, m^3/min	14

Technical data for battery operated products

325iLK + Blower attachment BA101	
Weight	
Weight, kg	2.3+1.9
Noise emissions ⁴	
Sound power level, measured dB (A)	103
Sound power level, guaranteed L_{WA} dB (A)	106
Sound levels ⁵	
Sound pressure level at the operator's ear, measured according to ISO 26868 dB(A)	
Equipped with approved accessory (original), dB (A)	93
Vibration levels ⁶	
Vibration levels at handles, measured according to EN 62841-1, m/s^2	
Equipped with approved accessory (original), left/right m/s	1.6/1.1
Fan performance ⁷	
Air flow in normal mode with standard nozzle, m^3/min	14
Maximum air velocity in normal mode with standard nozzle, m/s:	45

² The equivalent vibration level value is calculated with a work cycle of a duration of 1/7 for idling and 6/7 for racing. Reported data for equivalent vibration level has a typical statistical dispersion (standard deviation) of 1 m/s^2 .

³ Together with 525LK/GC2225C engine unit.

⁴ Noise emissions in the environment measured as sound power (L_{WA}) in conformity with EC directive 2000/14/EC. Reported sound power level for the machine has been measured with the original cutting attachment that gives the highest level. The difference between guaranteed and measured sound power is that the guaranteed sound power also includes dispersion in the measurement result and the variations between different machines of the same model according to Directive 2000/14/EC.

⁵ Reported data for sound pressure level for the machine has a typical statistical dispersion (standard deviation) of 3 dB (A) and has been measured with the original attachment that gives the highest level. Measured together with the 325iLK motor unit.

⁶ Reported data for vibration level has a typical statistical dispersion (standard deviation) of 2 m/s^2 . For comparison of vibrations levels, battery and combustion products use vibration calculator. refer to, <https://www.husqvarna.com/uk/services-solutions/vibration-calculator/>. Measured together with the 325iLK motor unit.

⁷ Measured together with the 325iLK motor unit.

Declaration of Conformity

EU Declaration of Conformity

We, **Husqvarna AB**, SE-561 82 Huskvarna, Sweden, tel: +46-36-146500, declare on our sole responsibility that the product:

Description	Blower attachment
Brand	Husqvarna
Type / Model	BA101
Identification	Serial numbers dating from 2022 and onwards

complies fully with the following EU directives and regulations:

Regulation	Description
2006/42/EC	"relating to machinery"
2000/14/EC	"relating to the noise emissions in the environment"
2011/65/EU	"on the restriction of the use of certain hazardous substances in electrical and electronic equipment"

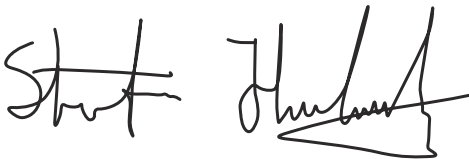
and that the following standards and/or technical specifications are applied: EN 15503:2009+A2:2015, EN ISO 12100:2021, EN IEC 63000:2018.

SMP Svensk Maskinprovning AB, Box 4053, SE-904 03 Umeå, Sweden has performed voluntary type examination according to annex IX of 2006/42/EC.

Certificate number: SEC/15/2416 – Husqvarna BA101.

For information relating to noise emissions, refer to *Technical data on page 7*.

Huskvarna, 2022-05-09



Stefan Holmberg, R&D Director, Technology Management, Husqvarna AB

Responsible for technical documentation



EU Declaration of Conformity

We, **Husqvarna AB**, SE-561 82 Huskvarna, Sweden, tel: +46-36-146500, declare on our sole responsibility that the product:

Description	Blower attachment with power unit Husqvarna 325iLK
Brand	Husqvarna
Type / Model	BA101
Identification	Serial numbers dating from 2022 and onwards

complies fully with the following EU directives and regulations:

Regulation	Description
2006/42/EC	"relating to machinery"
2000/14/EC	"relating to the noise emissions in the environment"
2011/65/EU	"on the restriction of the use of certain hazardous substances in electrical and electronic equipment"

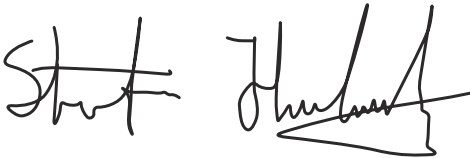
and that the following standards and/or technical specifications are applied: IEC 62841-4-6, EN ISO 12100:2021, EN IEC 63000:2018.

SMP Svensk Maskinprovning AB, Box 4053, SE-904 03 Umeå, Sweden has performed voluntary type examination according to annex IX of 2006/42/EC. Certificate number: SEC/15/2416 – Husqvarna BA101.

SMP Svensk Maskinprovning AB, has also verified agreement with the appendix V of the council's directive 2000/14/EG. Certificate number: 01/012/014.

For information relating to noise emissions, refer to *Technical data on page 7*.

Huskvarna, 2022-05-09



Stefan Holmberg, R&D Director, Technology Management, Husqvarna AB

Responsible for technical documentation



Съдържание

Въведение.....	11	Транспортиране, съхранение и изхвърляне.....	17
Безопасност.....	12	Технически данни.....	17
Операция.....	16	Декларация за съответствие.....	20
Поддръжка.....	16		

Въведение

Описание на продукта

Ние имаме политика на непрекъснато развитие на своите продукти и затова запазваме правото си да променяме тяхната конструкция и външен вид без предизвестие.

Забележка: Това ръководство обхваща както бензинови, така и захранвани с акумулаторни батерии захранващи блокове.

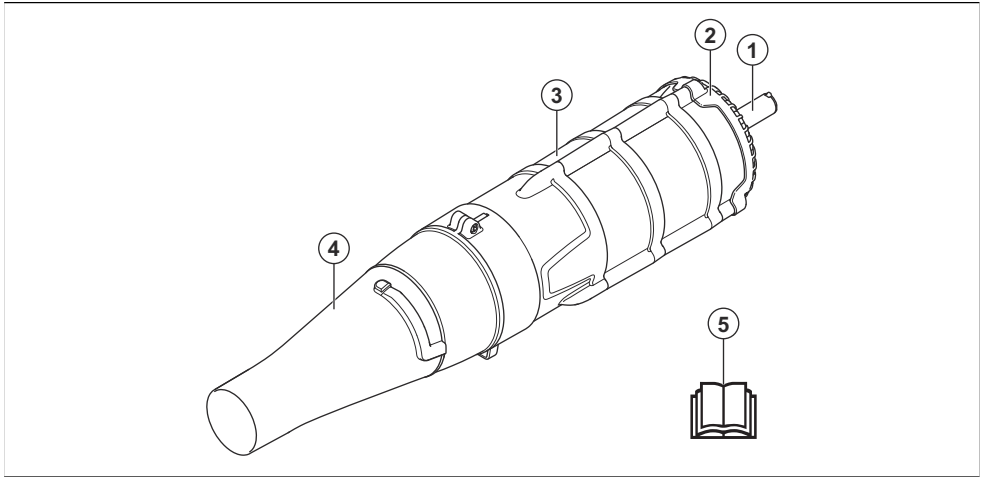
Предназначение



ПРЕДУПРЕЖДЕНИЕ: Тази приставка може да се използва само заедно с предназначения захранващ блок. Вижте главата за принадлежности в ръководството за оператора за захранващия блок.

Приставката е предназначена само за промухване на морави, пътеки, асфалтови пътища и подобни.

Общ преглед на приставката



1. Вал
2. Филтър на смукателния въздухопровод
3. Капак на вентилатора
4. Въздушна дюза
5. Ръководство за оператора

нараняване на оператора или други лица.

Символи върху приставката и захранващия блок



Невнимателното или неправилното използване на тази приставка може да доведе до сериозно или смъртоносно



Прочетете внимателно ръководството за оператора и се уверете, че разбирате инструкциите, преди да използвате приставката.



Тази приставка отговаря на изискванията на приложимите директиви на ЕО.



Използвайте одобрена защита на слуха, очите и дишането.



Използвайте одобрени защитни ръкавици.



Етикет за шумовите емисии за околната среда съгласно директивите и регламентите на ЕС и Обединеното кралство и законодателството на Нов Южен Уелс "Регламент 2017 относно защитата от дейности, оказващи влияние на околната среда (контрол на шума)". Гарантираното ниво на звуковата мощност на продукта е

посочено в *Технически данни на страница 17* и върху етикета.



Операторът на моторната метла трябва да се увери, че хора или животни не се приближават на по-малко от 15 метра. Когато няколко оператора работят в един и същ обект, трябва да се спазва безопасно разстояние от поне 15 метра. Моторната метла може да изхвърли предмети с голяма сила, които да отскочат обратно. Това може да доведе до сериозни наранявания на очите, ако не се използват препоръчителните предпазни средства.

Забележка: Останалите символи/стикери върху приставката се отнасят за специфични изисквания по отношение на сертификати за определени пазари.

Безопасност

Дефиниции за безопасност

Предупреждения, знаци за внимание и бележки се използват за указване на особено важни части на инструкцията за експлоатация.



ПРЕДУПРЕЖДЕНИЕ: Използва се, ако има опасност от нараняване или смърт за оператора или за околните, ако не се спазват инструкциите в ръководството.



ВНИМАНИЕ: Използва се, ако има опасност от повреждане на продукта и/или приставката, други материали или съседната зона, ако не се спазват инструкциите в ръководството.

Забележка: Използва се за предоставяне на повече информация, която е необходимо в дадена ситуация.

Предупреждения за безопасност за градинска моторна метла, градинска прахосмукачка и градинска моторна метла/прахосмукачка

- Преди употреба проверете захранващия и всеки удължителен шнур за признаци на повреда или износване. Не докосвайте шнура, преди да го разкачите от източника на захранване. Не

използвайте машината, ако шнурът е повреден или износен. Повреден захранващ шнур може да предизвика токов удар, пожар и/или сериозно нараняване.

- **Не използвайте машината при лоши метеорологични условия, особено когато има риск от мълнии.** Това намалява риска да бъдете ударени от мълния.
- **Носете средства за защита на очите и ушите.** Подходящите предпазни средства ще намалят риска от телесна повреда.
- **По време на работа с машината винаги носете неплъзгащи се и защитни обувки. Не работете с машината, когато сте боси или носите отворени сандали.** Това намалява риска от нараняване на стъпалата.
- **Не носете свободни дрехи или аксесоари, като шалове, гердани, верижки, връзки и т.н., които могат да попаднат в отворите за въздух. Вържете назад или покрийте дългата коса, за да се уверите, че няма да попадне в отворите за въздух.** Ако някой от тези предмети попадне в отворите за въздух, това може да увеличи риска от телесна повреда.
- **Дръжте страничните лица далеч, докато работите с машината.** Изхвърлените остатъци могат да увеличат риска от телесна повреда.
- **Никога не насочвайте дюзата на моторната метла по посока на хора или домашни любимци или по посока на прозорци.** Бъдете особено внимателни, когато издухвате остатъци в близост до твърди предмети, като дървета, автомобили и стени, които могат да причинят рикошет на

остатъците. Изхвърлените предмети могат да повредят имущество и да увеличат риска от телесна повреда.

- **Не използвайте машината за издухване на нещо, което гори или дими, като например цигари, кибритени клечки или гореща пепел.** Тези източници на запалване може да увеличат риска от пожар.
- **Не докосвайте вентилатора, докато все още се върти. Изключете машината и изчакайте, докато вентилаторът спре, преди да отстранявате каквато и да било част, която може да открие вентилатора.** Това намалява риска от нараняване от движещи се части.
- **Когато почиствате заседнал материал или извършвате обслужване на машината, се уверете, че прекъсвачът е изключен.** Неочакваното стартиране на машината при почистване на заседнал материал или обслужване може да доведе до сериозна телесна повреда.

Общи инструкции за безопасност



ПРЕДУПРЕЖДЕНИЕ: Прочетете следващите инструкции за безопасност, преди да използвате приставката.

- Прочетете внимателно ръководството за оператора и се уверете, че разбирате инструкциите, преди да използвате приставката.
- Това ръководство за оператора трябва да се прочете заедно с ръководството за оператора за захранващия блок, за да получите цялата потребителска информация.
- При никакви обстоятелства не може да се нанасят изменения в конструкцията на приставката без разрешение от производителя. Не използвайте дадена приставка, когато се вижда, че е модифицирана от други лица, и винаги използвайте оригинални принадлежности. Неразрешени изменения и/или приспособления може да предизвикат сериозни телесни повреди или смъртта на оператора или други лица.

Инструкции за безопасност за работа



ПРЕДУПРЕЖДЕНИЕ: Прочетете следващите предупредителни инструкции, преди да използвате продукта.



ПРЕДУПРЕЖДЕНИЕ: Този продукт създава електромагнитно поле по време на работа. При някои условия това поле може да предизвика смущения в активни или пасивни медицински импланти. За да намалите риска от

сериозно или смъртоносно нараняване, ние препоръчваме лицата с медицински импланти да говорят с лекаря си и производителя на медицинския имплант, преди да започнат да работят с този продукт.

- Никога не използвайте продукта, ако сте уморени, ако сте болни, ако сте употребили алкохол или ако взимате други лекарства, които могат да повлияят на зрението, преценката или координацията на движенията Ви.
- Никога не използвайте продукт, който е неизправен.
- Всички капаци и предпазители трябва да са поставени преди стартиране. Ако имате продукт, който работи с бензин, проверете дали лулата на запалителната свещ и запалващият кабел са изправни, за да избегнете риска от токов удар.
- Операторът на моторната метла трябва да се увери, че хора или животни не се приближават на по-малко от 15 метра. Когато няколко оператора работят в един и същ обект, трябва да се спазва безопасно разстояние от поне 15 метра.
- Никога не позволявайте на деца да използват продукта.
- Не позволявайте никой друг да използва продукта, без първо да сте се уверили, че е прочел и разбрал съдържанието на ръководството за оператора.
- Никога не отстранявайте филтъра на смукателния въздухопровод.
- Никога не докосвайте запалителната свещ или запалващия кабел, докато двигателят работи. Докосването на запалителната свещ или проводника може да доведе до излагане на токов удар.
- Винаги се обръщайте към местните органи на властта, за да се уверите, че следвате приложимите директиви.
- Пазете всички части на тялото си далеч от горещи повърхности.
- Ако се окажете в ситуация, в която сте неуверени как да постъпите, се посъветвайте със специалист. Свържете се с Вашия дилър или с Вашия сервис. Избягвайте всякаква употреба, за която се чувствате недостатъчно квалифицирани.
- Дръжте отвора на моторната метла възможно най-близо до земята. Използвайте цялата дължина на въздушната тръба, за да държите въздушния поток близо до земята.
- Използвайте машината през стандартното работно време, за да избегнете ненужни смущения. Избягвайте да работите рано сутрин или късно вечер.
- Съобразявайте се със заобикалящата Ви среда. Ако някой приближи работната Ви площ, освободете газта/захранващия спусък, докато човекът мине на безопасно разстояние.

Насочвайте моторната метла настрана от хора, животни, площадки за игра, отворени прозорци, автомобили и др. Силата на въздуха може да изхвърли камъни, пръст или клони или те да рикошират, при което може да пострадат хора или животни, да бъдат счупени стъкла или да бъде причинена друга повреда.

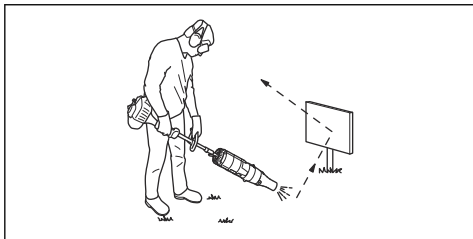
- Никога не поставяйте длани или предмети в корпуса на моторната метла, за да се избегне сериозно нараняване от въртящия се ротор.
- Поддържайте външната повърхност чист от масло и гориво.
- Никога не използвайте за разпръскване на химикали, торове или други вещества, които може да съдържат токсични материали.
- За да избегнете разпространяване на пожар, не използвайте в близост до запалени листа или храсти, огнища, места за барбекю, пепелници и др.
- Никога не потапяйте приставката във и не пръскайте с вода или друга течност.
- Винаги дръжте машината с две ръце. Дръжте машината встрани от тялото си.
- Ако имате продукт, който работи с бензин, оставете двигателя да се охлади, преди да го презаредите.
- Мощните потоци от въздух могат да преместват предмети с такава скорост, че те да отскочат обратно и да причинят сериозни наранявания на очите.



- Никога не оставяйте продукта без надзор, докато двигателят работи.
- Ако имате продукт, който работи с бензин, отработените газове на двигателя съдържат въглероден окис, който може да причини отравяне с въглероден окис. По тази причина не трябва да стартирате продукта на закрито или другаде, където има лоша вентилация.
- Не използвайте моторната метла, докато сте върху стълба, скеле или на други високи места (например покриви). Тази работа може да доведе до сериозно нараняване.



- Никога не работете с продукта, когато нямате възможност да повикате помощ в случай на злополука.
- Никога не поставяйте никакви предмети в отвора на смукателния въздухопровод, тъй като това може да ограничи правилния поток въздух и да причини повреда на уреда.
- Уверете се, че продуктът не се удря в огради, дървета или други твърди материали. Това може да причини повреда на машината и да доведе до сериозно нараняване.
- Бъдете винаги нащрек за предупредителни сигнали или подвиквания, когато използвате антифони. Винаги сваляйте антифоните незабавно след спиране на двигателя/мотора.



- Спирайте двигателя, преди да монтирате или демонтирате принадлежности или други части.
- Не използвайте продукта в лошо време, като например при гъста мъгла, силен дъжд, силен вятър, при много ниски температури и т.н. Работата при лошо време е уморителна и може да доведе до опасни условия, напр. хлъзгави повърхности.
- Уверете се, че можете да се движите и да стоите безопасно. Проверете площта около Вас за потенциални препятствия (корени, камъни, клони, канавки и така нататък), в случай че се наложи да се преместите внезапно. Бъдете много предпазливи при работа по наклонен терен.

Лични предпазни средства

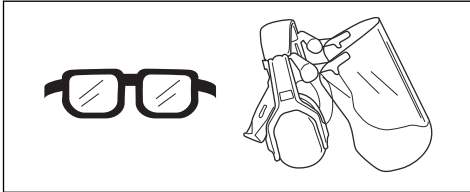


ПРЕДУПРЕЖДЕНИЕ: Прочетете следващите предупредителни инструкции, преди да използвате продукта.

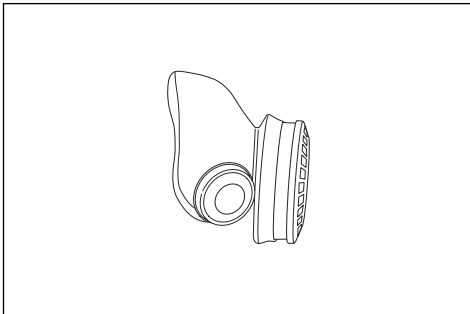
- При работа с продукта винаги използвайте одобрени лични предпазни средства. Личните предпазни средства не изключват изцяло риска

от нараняване, но намаляват степента на нараняването при възникване на злополука. Нека Вашият дилър Ви помогне да изберете подходящото оборудване.

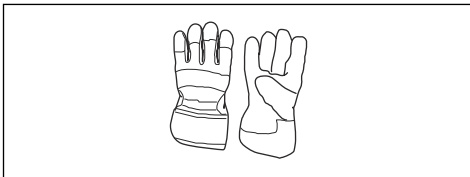
- Използвайте одобрени средства за защита на слуха, осигуряващи подходящо намаляване на шума. Дълготрайното излагане на шум може да доведе до постоянно влошаване на слуха.
- Използвайте одобрени защитни средства за очите. Ако използвате маска, трябва да използвате и одобрени предпазни очила. С одобрени предпазни очила се има предвид такива, които отговарят на стандарт ANSI Z87.1 в САЩ или EN 166 в държавите от ЕС.



- Използвайте средства за защита на дихателната система, когато има риск от прах.



- Когато е необходимо, използвайте ръкавици, например когато закрепвате, проверявате или почиствате оборудването.



- Носете здрави ботуши или обувки, които не се хлъзгат.



- Използвайте дрехи, направени от здрава тъкан. Винаги използвайте здрави, дълги панталони и дълги ръкави. Не използвайте широки дрехи, които могат да се захванат за храсти и клонове. Не носете бижута, къси панталони, сандали и не работете боси. Носете косата си безопасно над нивото на рамената.
- Дръжте в близост комплект за първа помощ.



Инструкции за безопасност при техническо обслужване



ПРЕДУПРЕЖДЕНИЕ: Прочетете следващите предупредителни указания преди работа с продукта.

Извършете цялостна проверка на продукта преди употреба. Вижте разписанието за техническо обслужване.

Извършвайте дейностите според описаните в това ръководство инструкции за техническо и сервизно обслужване. Определени операции по поддръжката и сервиза се извършват единствено от квалифицирани специалисти. Вижте инструкциите в раздел "Техническо обслужване".

Винаги проверявайте за предмети, които може да блокират филтъра на смукателния въздухопровод, преди да започнете работа.

За да предотвратите повреда, която се дължи на падане на продукта, монтирането и демонтирането трябва да се извършват близо до земната повърхност.

Операция

За използване на приставката

Забележка: Съобразявайте се с хората в околността, като избягвайте работа с машината в неподходящи часове, като късно вечер или рано сутрин. Намалете нивото на шума, като ограничите броя на използваните едновременно машини. Прочетете внимателно и следвайте простите инструкции, за да притеснявате околните възможно най-малко.

1. Използвайте гребло или четка, за да отлепите боклуци, залепнали за земята.
2. Ъглите се почистват отвътре навън. Това ще спомогне за избягване на натрупването на остатъци, които могат да отхвъркнат към лицето Ви.
3. Използвайте компресорното оборудване с възможно най-малко газ/скорост. Рядко се налага да използвате пълна газ/скорост и много работни дейности могат да бъдат извършени с наполовина подадена газ/скорост. Използването на по-малко газ/скорост означава по-малко шум и прах и освен това прави по-лесно управляването на събрания/преместения боклук.
4. Намалете времето за използване, като леко намокрите прашните области или използвайте пръскащо оборудване.

5. Намалете консумацията на вода, като използвате компресорно оборудване вместо маркучи за вода за различните приложения в моравата и градината, като решетки, екрани, грилове, веранди и т.н.
6. Внимавайте, когато работите в близост до растения. Силата на въздушната струя може да повреди крехките растения.
7. Скоростта на въздушната струя се регулира посредством газта/захранващия спусък. Изберете скоростта, която е най-подходяща за съответните задачи.
8. Следете посоката на вятъра. Работете, като се съобразявате с вятъра, за да е по-лесна работата ви.
9. Използването на моторната метла за преместване на големи купчини е времеемко и създава излишен шум.
10. Пазете добро равновесие и стабилен стоож.
11. Поддържайте разстояние между тръбата и земята, за да избегнете контакт със земята, когато работите с продукта.
12. Почиствайте след употреба. Проверявайте дали не сте издухали боклуци в чужда градина. Изхвърляйте отпадъците в контейнер за смет.
13. Когато приключите работа, продуктът трябва да се съхранява хоризонтално.

Поддръжка

Въведение

По-долу са изложени някои общи инструкции за поддръжка. Ако ви е необходима допълнителна информация, се свържете с вашия сервиз.

За извършване на всекидневно техническо обслужване на приставката



ПРЕДУПРЕЖДЕНИЕ: Винаги спирайте двигателя, преди да почиствате или да извършвате техническо обслужване на приставката. Ако имате продукт, работещ с бензин, разкачете запалващия кабел от запалителната свещ. Ако имате продукт с акумулаторна батерия, отстранете акумулаторната батерия.

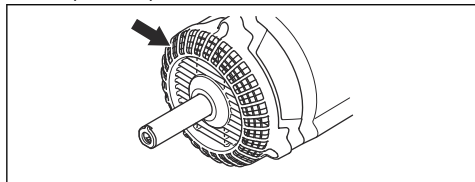


ПРЕДУПРЕЖДЕНИЕ: Пазете всички части на тялото си далеч от горещи повърхности.

1. Почистете външната повърхност на моторната метла.
2. Уверете се, че по целия корпус няма пукнатини.
3. Уверете се, че продуктът е в отлично работно състояние.
4. Уверете се, че всички гайки и винтове са затегнати.
5. Почистете етикетите с помощта на влажна кърпа и мек почистващ препарат.

За проверка на филтъра на смукателния въздухопровод

1. Проверете от всички страни, включително отдолу, дали смукателният въздухопровод не е блокиран, например от листа или боклуци. Запушен смукателен въздухопровод намалява капацитета на издухване на продукта и увеличава работната температура на двигателя/мотора, което може да доведе до неизправност на двигателя/мотора. Спрете двигателя/мотора и отстранете предмета.



Транспортиране, съхранение и изхвърляне

Транспортиране и съхранение

След всяка употреба изпълнявайте следните стъпки:

- Оставете приспособлението да изстине, преди да го приберете на съхранение или транспортирате.
- Съхранявайте на високо, хладно, сухо място на закрито, далеч от обсега на деца.

СЕЗОННО СЪХРАНЕНИЕ

Подгответе приставката за съхранение след края на сезона или ако тя няма да се използва 30 дни или повече. Ако духалката ви трябва да се прибере на съхранение за определен срок:

- Почистете уреда.
- Проверете приспособлението за разхлабени или повредени части. Затегнете всички разхлабени винтове.

- Заменете всички повредени, износени или повредени части.
- При започване на следващия сезон използвайте само ново гориво с необходимото съотношение на бензин и масло.

Изхвърляне

- Съблюдавайте местните изисквания за рециклиране и приложимите регламенти.
- Когато продуктът вече не се използва, го изпратете на дилър на Husqvarna или го изхвърлете на място за рециклиране.

Технически данни

Технически характеристики за продукти, които работят с бензин

BA101	
Тегло	
Тегло, kg	1,9
Шумови емисии	
Ниво на звуковата мощност, измерено, измерена dB (A)	111
Ниво на звуковата мощност, гарантирано L_{WA} dB (A)	114

BA101	
Нива на шума ⁸	
Еквивалентно ниво на звуковото налягане при ухото на оператора, измерено съгласно EN15503 dB(A)	99
Нива на вибрациите ⁹	
Еквивалентни нива на вибрации ($a_{hv,eq}$) при ръкохватките, измерени съгласно EN 15503, m/s^2	
Предни/задни ръкохватки:	5,6/8,3
Работа на вентилатора ¹⁰	
Макс. скорост на въздуха със стандартен накрайник, m/s:	46
Въздушен поток със стандартен накрайник, m^3/min	14

Технически характеристики за продукти, които работят с акумулаторна батерия

325iLK + Blower attachment BA101	
Тегло	
Тегло, kg	2,3 + 1,9
Шумови емисии ¹¹	
Ниво на звуковата мощност, измерено, измерена dB (A)	103
Ниво на звуковата мощност, гарантирано L_{WA} dB (A)	106
Нива на шума ¹²	
Ниво на звуковото налягане при ухото на оператора, измерено съгласно ISO 26868, dB (A)	
Оборудван с одобрена принадлежност (оригинална), dB (A)	93
Нива на вибрациите ¹³	

⁸ Еквивалентната стойност на нивото на звуковото налягане е изчислена с работен цикъл с продължителност 1/7 празен ход и 6/7 висока скорост. Отчетените данни за еквивалентното ниво на звуковото налягане за машината имат типична статистическа дисперсия (стандартно отклонение) от 1 dB(A).

⁹ Еквивалентната стойност на нивото на вибрации е изчислена при работен цикъл с продължителност 1/7 празен ход и 6/7 висока скорост. Отчетените данни за еквивалентното ниво на вибрациите имат типична статистическа дисперсия (стандартно отклонение) от 1 m/s^2 .

¹⁰ Заедно с двигател 525LK/GC2225C.

¹¹ Емисии на шума в околната среда, измерени като звукова мощност (L_{WA}) в съответствие с директива на ЕО 2000/14/ЕО. Отчетените нива на шума за машината са измерени с оригиналното режещо оборудване, което дава най-високото ниво. Разликата между гарантираното и измереното ниво на шума е в това, че гарантираното ниво на шума включва също и дисперсията в резултатите от измерването, както и вариациите между различните машини от един и същи модел в съответствие с Директива 2000/14/ЕО.

¹² Отчетените данни за ниво на звуково налягане за машината имат типична статистическа дисперсия (стандартно отклонение) от 3 dB (A) и са измерени с оригиналната приставка, която осигурява най-високото ниво. Измерено заедно с двигател 325iLK.

¹³ Отчетените данни за нивото на вибрациите имат типична статистическа дисперсия (стандартно отклонение) от 2 m/s^2 . За сравняване на нива на вибрациите, акумулаторни продукти и продукти с вътрешно горене използвайте калкулатор на вибрациите. Направете справка с <https://www.husqvarna.com/uk/services-solutions/vibration-calculator/>. Измерено заедно с двигател 325iLK.

325iLK + Blower attachment BA101	
Нива на вибрациите при ръкохватките, измерени съгласно EN 62841-1, m/s ²	
Оборудван с одобрена принадлежност (оригинална), лява/дясна m/s	1,6/1,1
Работа на вентилатора ¹⁴	
Въздушен поток в нормален режим със стандартен накрайник, m ³ /min	14
Максимална скорост на въздуха в нормален режим със стандартен накрайник, m/s:	45

¹⁴ Измерено заедно с двигател 325iLK.

Декларация за съответствие

Декларация за съответствие на ЕС

Ние, **Husqvarna AB**, SE-561 82 Huskvarna, Швеция,
тел.: +46-36-146500, декларираме на своя собствена
отговорност, че продуктът:

Описание	Моторна метла
Марка	Husqvarna
Тип/модел	BA101
Идентификация	Серийни номера от 2022 и нататък

отговаря напълно на следните директиви и
регламенти на ЕС:

Регламент	Описание
2006/42/EO	"относно машините"
2000/14/EO	"относно шумовите емисии в околната среда"
2011/65/EC	"по отношение на ограничението за използване на определени опасни вещества в електрическо и електронно оборудване"

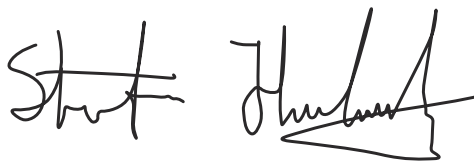
и че следните стандарти и/или
технически спецификации са приложени: EN
15503:2009+A2:2015, EN ISO 12100:2021, EN IEC
63000:2018.

SMP Svensk Maskinprovning AB, Box 4053, SE-904 03
Umeå, Sweden, извърши доброволно изпитване на
типа съгласно приложение IX на 2006/42/EO.

Номер на сертификат: SEC/15/2416 – Husqvarna
BA101.

За информация относно шумовите емисии
направете справка с *Технически данни на страница
17.*

Huskvarna, 2022-05-09



Стефан Холмберг, директор по развойна дейност,
управление на технологиите, Husqvarna AB

Отговорен за техническата документация



Декларация за съответствие на ЕС

Ние, **Husqvarna AB**, SE-561 82 Huskvarna, Швеция,
тел.: +46-36-146500, декларираме на своя собствена
отговорност, че продуктът:

Описание	Моторна метла със захранващ блок Husqvarna 325iLK
Марка	Husqvarna
Тип/модел	BA101
Идентификация	Серийни номера от 2022 и нататък

отговаря напълно на следните директиви и
регламенти на ЕС:

Регламент	Описание
2006/42/ЕО	"относно машините"
2000/14/ЕО	"относно шумовите емисии в околната среда"
2011/65/ЕС	"по отношение на ограничението за използване на определени опасни вещества в електрическо и електронно оборудване"

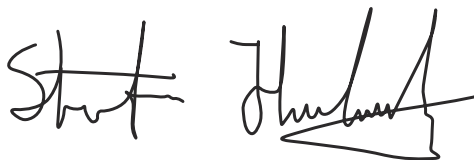
и че следните стандарти и/или технически
спецификации са приложени: IEC 62841-4-6, EN ISO
12100:2021, EN IEC 63000:2018.

SMP Svensk Maskinprovning AB, Box 4053, SE-904 03
Umeå, Sweden, извърши доброволно изпитване на
типа съгласно приложение IX на 2006/42/ЕО. Номер
на сертификата: SEC/15/2416 – Husqvarna BA101.

SMP Svensk Maskinprovning AB, има и потвърдено
съответствие с приложение V на директивата
на съвета 2000/14/ЕО. Номер на сертификата:
01/012/014.

За информация относно шумовите емисии
направете справка с *Технически данни на страница
17*.

Huskvarna, 2022-05-09



Стефан Холмберг, директор по развойна дейност,
управление на технологиите, Husqvarna AB

Отговорен за техническата документация



Obsah

Úvod.....	22	Přeprava, skladování a likvidace.....	27
Bezpečnost.....	23	Technické údaje.....	27
Provoz.....	26	Prohlášení o shodě.....	30
Údržba.....	27		

Úvod

Popis výrobku

Řídíme se strategií neustálého vývoje výrobku, a proto si vyhrazujeme právo měnit konstrukci a vzhled výrobků bez předchozího upozornění.

Povšimněte si: Tento návod pokrývá pohonné jednotky poháněné benzínem i baterií.

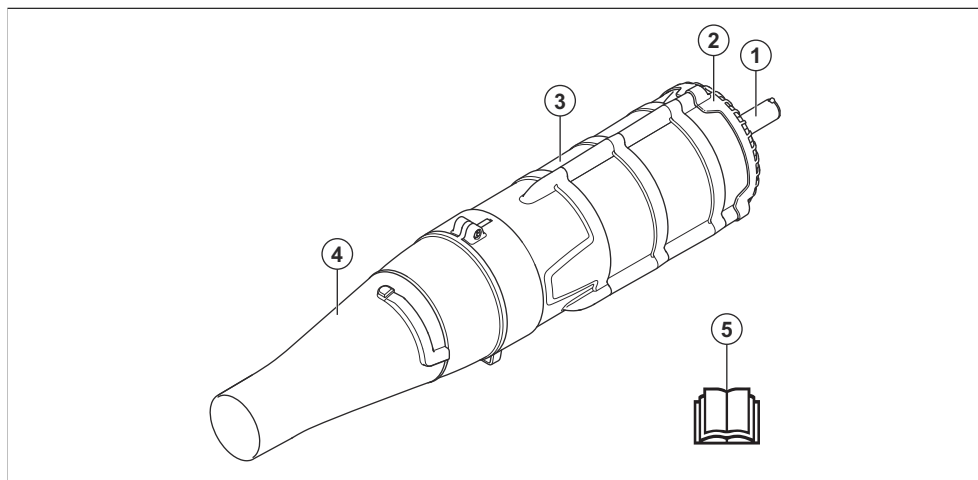
Zamýšlené použití



VÝSTRAHA: Tento nástavec lze používat pouze společně se zamýšlenou pohonnou jednotkou. Informace o pohonné jednotce naleznete v kapitole Příslušenství v návodu k používání.

Nástavec je určen pouze pro úklid trávníků, chodníků, asfaltových cest a podobných povrchů.

Přehled nástavce



1. Hřídel
2. Sítko nasávaného vzduchu
3. Kryt ventilátoru
4. Vzduchová tryska
5. Návod k použití



Pozorně si přečtěte tento návod k používání a předtím, než nástavec začnete používat, se přesvědčte o tom, že pokynům rozumíte.



Symbyly na nástavci a pohonné jednotce



Nepozorné nebo nesprávné používání nástavce může vést k vážnému nebo smrtelnému zranění uživatele nebo dalších osob.



Tento nástavec vyhovuje platným směrnicím ES.



Používejte schválenou ochranu sluchu, očí a dýchacích cest.



Používejte schválené ochranné rukavice.



Štítek s emisemi hluku do okolí podle směrnic a předpisů Evropské unie a Spojeného království a nařízení o regulaci hluku v australském Novém Jižním Walesu „Protection of the Environment Operations (Noise Control) Regulation 2017“. Garantovaná hladina akustického výkonu tohoto výrobku je

uvedena v části *Technické údaje na straně 27* a na štítku.



Obsluha foukače musí zajistit, aby se v okruhu 15 metrů nepohybovali lidé ani zvířata. Pokud pracuje několik pracovníků na stejném místě, musí být dodržována bezpečná vzdálenost rozestupů minimálně 15 metrů. Foukač může velkou silou odmrštit předměty, které se mohou odrazit zpět. Pokud nepoužíváte doporučené ochranné prostředky, může dojít k vážnému poranění očí.

Povšimněte si: Další symboly/štítky na nástavci se týkají zvláštních certifikačních požadavků pro určité obchodní trhy.

Bezpečnost

Definice týkající se bezpečnosti

Varování, upozornění a poznámky slouží jako upozornění na specifické důležité části návodu k používání.



VÝSTRAHA: Používá se v případě nebezpečí úrazu nebo usmrcení obsluhy nebo okolních osob, pokud nejsou dodrženy pokyny uvedené v této příručce.



VAROVÁNÍ: Používá se v případě nebezpečí poškození výrobku nebo nástavce, dalších materiálů či škod na majetku v blízkém okolí, pokud nejsou dodrženy pokyny uvedené v této příručce.

Povšimněte si: Používá se k poskytnutí dalších informací, které jsou nezbytné v dané situaci.

Bezpečnostní pokyny k zahradnímu foukači, zahradnímu vysavači a zahradnímu foukači/vysavači

- **Před použitím zkontrolujte, zda nejsou poškozené nebo zpuchřelé přívodní a prodlužovací kabely.** Před odpojením šňůry od napájení se jí nedotýkejte. Nepoužívejte stroj s poškozenými nebo opotřebenými kabely. Během používání poškozeného přívodního kabelu může dojít k úrazu elektrickým proudem, požáru nebo vážnému poranění.
- **Stroj nepoužívejte za špatného počasí, zejména pokud hrozí riziko blesku.** Snížíte tak riziko zasažení bleskem.
- **Vždy používejte ochranu očí a sluchu.** Vhodné ochranné prostředky snižují riziko poranění.
- **Při manipulaci se strojem noste vždy ochrannou protiskluzovou obuv. Neprovazujte stroj naboso nebo v otevřených sandálech.** Snížíte tím riziko poranění nohou.
- **Nenoste volné oblečení nebo doplňky jako šály, tkaníčky, řetízky, vázanky apod., které by mohly být vtaženy do vzduchových vstupů. Dlouhé vlasy si sepněte nebo zakryjte, abyste zabránili jejich vtažení do vzduchových vstupů.** V případě vtažení podobných předmětů do vzduchových vstupů se může zvýšit riziko zranění.
- **Během provozu zajistěte bezpečnou vzdálenost dalších osob od stroje.** Odletující nečistoty mohou zvýšit riziko zranění.
- **Trysku foukače nesměřujte na osoby, zvířata ani na okna. Při sfoukávání nečistot v blízkosti pevných předmětů, jako jsou stromy, automobily a stěny, které mohou částice odrazit, dbejte zvláštní opatření.** Odletující předměty mohou poškodit majetek a zvýšit riziko úrazu.
- **Stroj nepoužívejte na předměty nebo látky, které hoří nebo doutnají, například cigarety, zápalky nebo horký popel.** Tyto zdroje vznícení mohou zvýšit riziko požáru.
- **Nedotýkejte se otáčejícího se ventilátoru.** Pokud chcete získat přístup k ventilátoru, před demontáží dílů stroj vypněte a počkejte, dokud se ventilátor nezastaví. Tím snížíte riziko poranění pohyblivými součástmi.
- **Při odstraňování uvízlého materiálu nebo údržbou stroje se ujistěte, že je vypínač vypnutý.** Neočekávané spuštění stroje při odstraňování uvízlého materiálu nebo servisu může vést k vážnému zranění osob.

Obecné bezpečnostní pokyny



VÝSTRAHA: Před použitím nástavce si přečtete následující bezpečnostní pokyny.

- Přečtete si pozorně tento návod k používání a nepoužívejte nástavec, pokud mu zcela nerozumíte.
- Pro získání kompletních informací o používání je nutné si spolu s tímto návodem k používání přečíst návod k používání pohonné jednotky.
- Konstrukce nástavce nesmí být z žádných okolností upravována bez svolení výrobce. Nepoužívejte nástavec, pokud se vám zdá, že jej někdo upravil, a vždy používejte originální příslušenství. Nepovolené úpravy nebo příslušenství mohou vést k vážnému nebo smrtelnému zranění obsluhy nebo jiných osob.

Bezpečnostní pokyny pro provoz



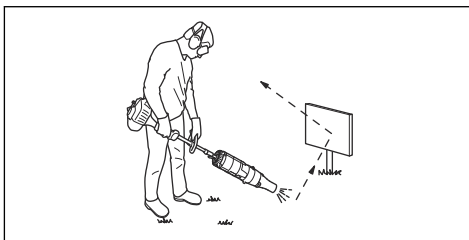
VÝSTRAHA: Před použitím výrobku si přečtete následující varování.



VÝSTRAHA: Tento výrobek vytváří během provozu elektromagnetické pole. Toto pole může za určitých okolností narušovat funkci aktivních či pasivních implantovaných lékařských přístrojů. Za účelem snížení rizika možného zranění nebo smrtelného úrazu doporučujeme osobám s implantovanými lékařskými přístroji poradit se před použitím výrobku s lékařem a s výrobcem implantovaného lékařského přístroje.

- Nikdy nepoužívejte výrobek, když jste unavení, nemocní, jestliže jste požíli alkohol nebo jestliže užíváte léky, které by mohly ovlivnit váš zrak, úsudek nebo pohybovou koordinaci.
- Nikdy nepoužívejte výrobek, který není zcela v pořádku.
- Všechny kryty a ochranné kryty musí být před zahájením práce upevněny. Používáte-li výrobek poháněný benzinem, kontrolujte, zda nejsou koncovka kabelu zapalovací svíčky a kabel zapalování poškozené, aby se zabránilo nebezpečí úrazu elektrickým proudem.
- Obsluha foukače musí zajistit, aby se v okruhu 15 metrů nepohybovali lidé ani zvířata. Pokud pracuje několik pracovníků na stejném místě, musí být dodržována bezpečná vzdálenost rozestupů minimálně 15 metrů.
- Nedovolte dětem používat výrobek.
- Nedovolte pracovat s výrobkem nikomu, kdo si předem nepřečetl a neporozuměl obsahu návodu k používání.

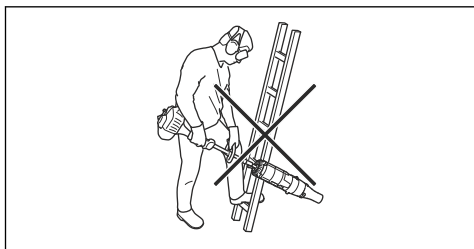
- Nikdy nesundávejte sítko nasávaného vzduchu.
- Pokud motor běží, nikdy se nedotýkejte zapalovací svíčky nebo zapalovacího kabelu. Kontakt se zapalovací svíčkou či její objímkou může způsobit úraz elektrickým proudem.
- Vždy se spojte s místními úřady a zkontrolujte, zda postupujete dle příslušných předpisů.
- Všechny části těla udržujte mimo dosah horkých povrchů.
- Dostanete-li se do situace, kdy pocítíte jakoukoliv pochybnost co do práce s vybavením, požádejte o radu odborníka. Spojte se s vaším prodejcem nebo servisem. Nepoužívejte vybavení, necítíte-li se dostatečně kvalifikováni.
- Ústí trubice foukače držte co možná nejbližší nad zemí. Využijte celou délku foukací trubky, abyste udrželi proud vzduchu co nejbližší u země.
- Používejte stroj během normální pracovní doby, abyste nerušili ostatní. Nepracujte brzy ráno nebo pozdě večer.
- Dávejte pozor na své okolí. Pokud se někdo přiblíží k vaší pracovní oblasti, uvolněte plyn / páčku spínače, dokud dotyčná osoba neodstoupí do bezpečné vzdálenosti. Foukač vždy směřujte pryč od lidí, zvířat, dětských hřišť, otevřených oken, aut atd. Vzduch pod tlakem může odmrštit kamínky, hlinu a klacíky, které mohou způsobit zranění osob nebo zvířat, rozbití skla nebo jiné škody.
- Nikdy nevkládejte ruce ani jiné předměty do skříně foukače. Rotující ventilátor může způsobit vážné zranění.
- Udržujte vnější povrch čistý, bez přítomnosti oleje a paliva.
- Nikdy stroj nepoužívejte k rozptýlení chemikálií, hnojiv nebo přípravků, které mohou obsahovat toxické látky.
- V zájmu protipožární ochrany stroj nepoužívejte v blízkosti hořícího listí, dřeva, krbů, ohnišť, popelníků apod.
- Na nástavec nelijte ani nestříkejte vodu ani jiné kapaliny.
- Stroje vždy držte oběma rukama. Stroj držte u boku.
- Používáte-li výrobek poháněný benzinem, nechte motor před doplňováním paliva vychladnout.
- Silný proud vzduchu může uvést odklizené předměty do pohybu takovou rychlostí, že se mohou odrazit zpět a vážně poškodit oči.



- Před montáží nebo demontáží příslušenství vždy vypněte motor.
- Nepoužívejte výrobek za špatného počasí, jako např. v husté mlze, prudkém dešti, silném větru, silném mrazu apod. Práce za špatného počasí je namáhavá a může vést k nebezpečným okolnostem, např. ke kluzkému podloží.
- Ujistěte se, že se můžete volně pohybovat a bezpečně stát. Zkontrolujte, zda ve vašem bezprostředním okolí nejsou nějaké překážky (kořeny, kameny, větve, jámy, příkopy apod.), pro případ, že by bylo nutné se rychle přesunout. Zvláštní pozornost věnujte práci ve svažitém terénu.



- Nikdy neodkládejte výrobek, který je v chodu, pokud jej nemáte plně pod dohledem.
- Používáte-li výrobek poháněný benzinem, výfukové plyny motoru obsahují oxid uhelnatý, který může způsobit otravu. Z tohoto důvodu výrobek nikdy nestartujte nebo s ním nepracujte v uzavřených prostorách nebo na místech s nedostatečnou ventilací.
- Foukač nesmí být používán na žebříku či lešení nebo ve výškách (například na střeších). Takové používání by mohlo způsobit vážné zranění.



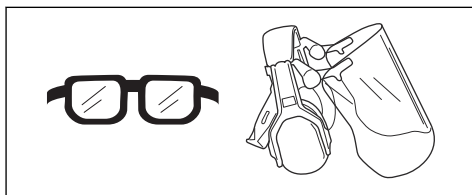
- Nikdy nepracujte s výrobkem, nemáte-li možnost přivolat pomoc v případě nehody.
- Nikdy nevkládejte žádné předměty do otvoru přívodu vzduchu. Mohlo by dojít k omezení průtoku vzduchu s následným poškozením jednotky.
- Dejte pozor, aby výrobek nenarazil do plotu, stromu nebo jiného tvrdého objektu. Mohlo by dojít k poškození stroje a vážnému zranění.
- Používáte-li ochranu sluchu, vždy je nutné dávat pozor na výstražné signály nebo volání. Ochranu sluchu sejměte vždy ihned po zastavení motoru.

Osobní ochranné prostředky

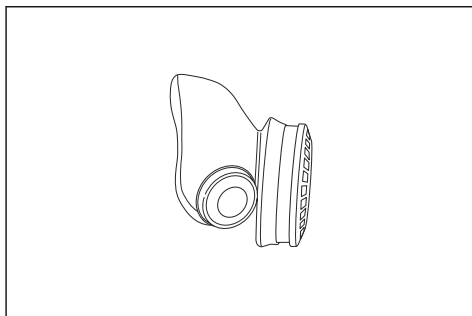


VÝSTRAHA: Před použitím výrobku si přečtěte následující varování.

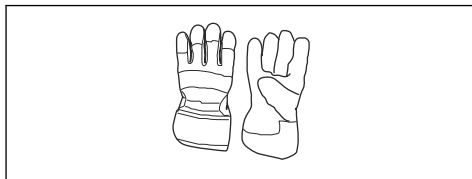
- Při použití výrobku je nutné vždy používat schválené osobní ochranné prostředky. Osobní ochranné prostředky nemohou zcela eliminovat nebezpečí úrazu, ale v případě nehody pomáhají snížit míru poranění. Požádejte prodejce, aby vám pomohl vybrat správné vybavení.
- Použijte schválenou ochranu sluchu s dostatečným tlumícím účinkem. Dlouhodobé vystavování působení hluku může vést k trvalému poškození sluchu.
- Vždy používejte schválenou ochranu očí. Použijete-li štít, je nutno použít i schválené ochranné brýle. Schválené ochranné brýle musí být v souladu s normou ANSI Z87.1 v USA nebo EN 166 v zemích EU.



- Pokud hrozí nebezpečí vdechování prachu, použijte ochranu dýchacích cest.



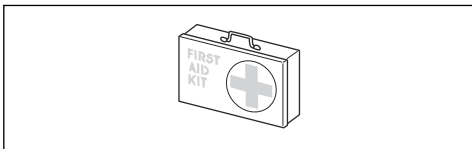
- Při určitých činnostech používejte rukavice, například při nasazování, kontrole nebo čištění zařízení.



- Používejte pevnou, protiskluzovou obuv.



- Noste oblečení vyrobené z pevné tkaniny. Vždy používejte silné, dlouhé kalhoty a dlouhé rukávy. Nepoužívejte volné oblečení, které se může zachytit o keře nebo větve. Nepoužívejte šperky, krátké kalhoty nebo sandály a nepracujte bosí. Stáhněte si vlasy bezpečně nahoru nad úroveň ramen.
- Mějte při ruce lékárníčku.



Bezpečnostní pokyny pro údržbu



VÝSTRAHA: Před použitím výrobku si přečtěte následující varování.

Před použitím důkladně zkontrolujte celý výrobek. Viz plán údržby.

Provádějte údržbu a servis podle pokynů v tomto návodu. Některé úkony údržby a opravy mohou provádět pouze vyškolení a kvalifikovaní odborníci. Viz pokyny v části Údržba.

Před zahájením práce vždy zkontrolujte, zda není sítka nasávaného vzduchu blokováno cizími předměty.

Abyste předešli poškození způsobenému pádem výrobku, provádějte veškeré montáže nízko nad zemí.

Provoz

Použití nástavce

Povšimněte si: Budte ohleduplní ke svému okolí a nepoužívejte stroj v nevhodném čase jako je pozdě večer nebo velmi brzo ráno. Snižte úroveň hluku omezením počtu současně používaných zařízení. Pročtěte si a postupujte dle níže uvedených jednoduchých pravidel, abyste rušili vaše okolo co možná nejméně.

1. Nečistoty zašlapané do země nejdříve uvolněte hráběmi nebo koštětem.
2. Začněte čištěním rohů a postupujte se směrem ven. Tímto způsobem zabráníte nahromadění nečistot, které by vám mohly vletět do obličeje.
3. Používejte foukač s co možná nejméně stisknutou páčkou plynu. Plný plyn je používán málokdy a většinu práce lze provádět s plynem v poloviční poloze. Méně plynu znamená méně hluku a prachu. Sfoukávané a přesouvané smetí také budete mít snáz pod kontrolou.
4. Zkraťte dobu foukání na minimum tím, že mírně navhčíte prашné oblasti nebo použijete postřikovací zařízení.

5. Spotřebu vody snížíte tím, že použijete foukač místo hadice s vodou. S foukačem lze na zahradě čistit také např. mříže, zástěny, rošty či verandy.
6. Při práci v blízkosti rostlin buďte opatrní. Vzduch pod tlakem by mohl poškodit choulostivé rostliny.
7. Rychlost proudu vzduchu je regulována pomocí plynu/páčky spínače. Vždy používejte takovou rychlost vzduchu, která odpovídá určenému úkolu.
8. Při práci dbejte na směr větru. Vždy pracuje po směru větru, usnadní vám to práci.
9. Používání foukače pro přemísťování velké hromady např. listů vám zabere mnoho času a foukač bude zbytečně hlučný.
10. Držte dobře rovnováhu a stůjte pevně.
11. Mezi trubkou a zemí udržujte mezeru, aby při práci s výrobkem nedocházelo ke kontaktu se zemí.
12. Po skončení práce po sobě ukliděte. Ujistěte se, že jste nenafoukali nečistoty na cizí pozemek nebo zahradu. Odpad odkliděte do popelnice či kontejneru.
13. Po dokončení práce je třeba výrobek skladovat ve vodorovné poloze.

Údržba

Úvod

V následujících odstavcích najdete některé pokyny k provádění obecné údržby. Pokud potřebujete další informace, spojte se se servisem.

Denní údržba nástavce



VÝSTRAHA: Před zahájením čištění nebo údržby nástavce vždy vypněte motor. Pokud máte výrobek poháněný benzínem, odpojte kabel zapalování od zapalovací svíčky. Pokud máte výrobek poháněný baterií, vyjměte baterii.



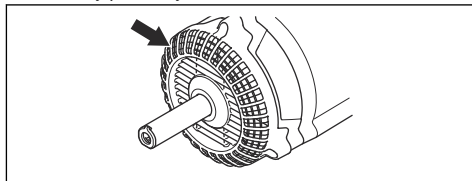
VÝSTRAHA: Všechny části těla udržujte mimo dosah horkých povrchů.

1. Vyčistěte vnější povrch foukače.
2. Zkontrolujte, zda nejsou kryty prasklé.
3. Zkontrolujte, zda je výrobek v perfektním provozním stavu.

4. Zkontrolujte, zda jsou všechny matice a šrouby dotažené.
5. Pomocí vlhkého hadříku namočeného do šetrného čisticího prostředku vyčistěte štítky.

Kontrola sítka nasávaného vzduchu

1. Kontrolujte, zda nedošlo k zablokování přívodu vzduchu na všech stranách včetně spodní strany, např. listím nebo smetím. Ucpaný přívod vzduchu snižuje foukací kapacitu výrobku a zvyšuje pracovní teplotu motoru, což může způsobit závadu motoru. Vypněte motor a odstraňte z přívodu vzduchu všechny překážky.



Přeprava, skladování a likvidace

Přeprava a skladování

Po každém použití proveďte následující kroky:

- Před uskladněním nebo přepravou nechte přídavné zařízení vychladnout.
- Skladujte ve vysokém, chladném, suchém vnitřním prostoru mimo dosah dětí.

Sezónní uložení

Nástavec připravte k uložení na konci sezóny nebo pokud jej nebudete používat déle než 30 dní. V případě, že má být přídavný foukač po nějakou dobu uskladněn:

- Vyčistěte jednotku.
- Zkontrolujte, zda nejsou na přídavném zařízení povolené nebo poškozené díly. Utáhněte všechny povolené šrouby.

- Veškeré poškozené, opotřebené či porušené součásti vyměňte.
- Na začátku další sezóny použijte čerstvé palivo se správným poměrem benzínu a oleje.

Likvidace

- Dodržujte místní požadavky ohledně recyklace a platné předpisy.
- Nehodláte-li výrobek dále používat, odešlete jej prodejci Husqvarna nebo jej dopravte do recyklační stanice.

Technické údaje

Technické údaje pro výrobky poháněné benzínem

BA101	
Hmotnost	
Hmotnost, kg	1,9

BA101	
Emise hluku	
Hladina akustického výkonu, změřená dB (A)	111
Hladina akustického výkonu, zaručená L_{WA} dB (A)	114
Hladiny hluku ¹⁵	
Ekvivalentní hladina akustického tlaku v úrovni uší obsluhy, změřená podle normy EN 15503, dB(A)	99
Úrovně vibrací ¹⁶	
Ekvivalentní hladiny vibrací ($a_{hv,eq}$) v rukojetích, měřené podle normy EN 15503, m/s ²	
Přední/zadní rukojeť:	5,6/8,3
Výkon ventilátoru ¹⁷	
Maximální rychlost vzduchu se standardní trubicí, m/s:	46
Průtok vzduchu se standardní tryskou, m ³ /min	14

Technické údaje pro výrobky poháněné baterií

325iLK + Blower attachment BA101	
Hmotnost	
Hmotnost, kg	2,3 + 1,9
Emise hluku ¹⁸	
Hladina akustického výkonu, změřená dB (A)	103
Hladina akustického výkonu, zaručená L_{WA} dB (A)	106
Hladiny hluku ¹⁹	
Hladina akustického tlaku v úrovni uší obsluhy, změřená podle normy ISO 26868, dB(A)	
Vybaven schváleným příslušenstvím (originální), dB (A)	93

¹⁵ Ekvivalentní hodnoty hladiny akustického tlaku je dosaženo při pracovním cyklu složeného z 1/7 z chodu na volnoběžné otáčky a ze 6/7 z plného výkonu. Uváděná data pro ekvivalentní hladinu akustického tlaku pro stroj mají typickou statistickou odchylku (standardní odchylku) 1 dB (A).

¹⁶ Ekvivalentní hodnoty hladiny vibrací je dosaženo při pracovním cyklu složeného z 1/7 z chodu na volnoběžné otáčky a 6/7 z plného výkonu. Uváděná data pro ekvivalentní hladinu vibrací mají typickou statistickou odchylku (standardní odchylku) 1 m/s².

¹⁷ Společně s jednotkou motoru 525LK/GC2225C.

¹⁸ Emise hluku do okolního prostředí měřené jako akustický výkon (L_{WA}) v souladu se směrnicí 2000/14/ES. Uváděná hladina akustického výkonu pro stroj byla měřena s originálním sekacím nástavcem, který generuje nejvyšší hladinu. Rozdíl mezi garantovaným a měřeným akustickým výkonem je v tom, že garantovaný akustický výkon rovněž zahrnuje rozptýl výsledků měření a rozdíly mezi různými stroji téhož modelu podle Směrnice 2000/14/ES.

¹⁹ Uváděná data pro hladinu akustického tlaku pro stroj mají typickou statistickou odchylku (standardní odchylku) 3 dB (A), která byla měřena s originálním řezacím nástavcem generujícím nejvyšší hladinu. Měřeno společně s jednotkou motoru 325iLK.

325iLK + Blower attachment BA101	
Úroveň vibrací²⁰	
Hladiny vibrací v rukojetích, měřené podle normy EN 62841-1, m/s ²	
Vybaveno schváleným příslušenstvím (originální), levá/pravá, m/s	1,6/1,1
Výkon ventilátoru²¹	
Průtok vzduchu v normálním režimu se standardní tryskou, m ³ /min	14
Maximální rychlost vzduchu v normálním režimu se standardní tryskou, m/s:	45

²⁰ Uváděná data o úrovni vibrací mají typickou statistickou odchylku (standardní odchylku) 2 m/s². Pro srovnání hladiny vibrací akumulátorových výrobků a výrobků se spalovacím motorem použijte kalkulačku vibrací: <https://www.husqvarna.com/cz/sluzby-reseni/kalkulacka-vibraci/>. Měřeno společně s jednotkou motoru 325iLK.

²¹ Měřeno společně s jednotkou motoru 325iLK.

Prohlášení o shodě

Prohlášení o shodě EU

Společnost **Husqvarna AB**, SE-561 82 Huskvarna,
Švédsko, tel.: +46-36-146500, na svou výhradní
odpovědnost prohlašuje, že výrobek:

Popis	Nástavec foukače
Značka	Husqvarna
Typ/Model	BA101
Identifikace	Výrobní čísla od roku 2022 a dále

je zcela ve shodě s následujícími směrnici a předpisy
EU:

Nařízení	Popis
2006/42/ES	„o strojních zařízeních“
2000/14/ES	„týkající se emisí hluku do okolního prostředí“
2011/65/EU	„o omezení používání některých nebezpečných látek v elektrických a elektronických zařízeních“

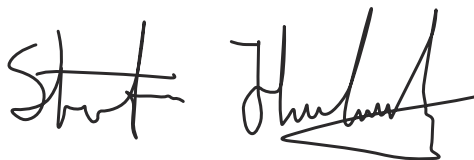
a že byly použity následující normy nebo technické
specifikace: EN 15503:2009+A2:2015, EN ISO
12100:2021, EN IEC 63000:2018.

Institút SMP Svensk Maskinprovning AB, Box 4053,
SE-904 03 Umeå, Sweden provedl dobrovolnou typovou
zkoušku podle dodatku IX směrnice 2006/42/ES.

Číslo certifikátu: SEC/15/2416 – Husqvarna BA101.

Informace o emisích hluku najdete v části *Technické
údaje na strani 27*.

Huskvarna, 2022-05-09



Stefan Holmberg, ředitel výzkumu a vývoje,
management technologií, Husqvarna AB

Osoba odpovědná za technickou dokumentaci



Prohlášení o shodě EU

Společnost **Husqvarna AB**, SE-561 82 Huskvarna, Švédsko, tel.: +46-36-146500, na svou výhradní odpovědnost prohlašuje, že výrobek:

Popis	Nástavec foukače s napájecí jednotkou Husqvarna 325iLK
Značka	Husqvarna
Typ/Model	BA101
Identifikace	Výrobní čísla od roku 2022 a dále

je zcela ve shodě s následujícími směrnicemi a předpisy EU:

Nařízení	Popis
2006/42/ES	„o strojních zařízeních“
2000/14/ES	„týkající se emisí hluku do okolního prostředí“
2011/65/EU	„o omezení používání některých nebezpečných látek v elektrických a elektronických zařízeních“

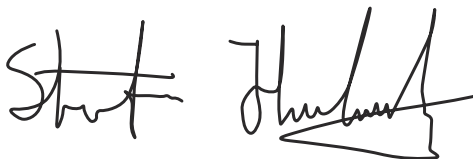
a že byly použity následující normy nebo technické specifikace: IEC 62841-4-6, EN ISO 12100:2021, EN IEC 63000:2018.

Institút SMP Svensk Maskinprovning AB, Box 4053, SE-904 03 Umeå, Sweden provedl dobrovolnou typovou zkoušku podle dodatku IX směrnice 2006/42/ES. Číslo certifikátu: SEC/15/2416 – Husqvarna BA101.

Společnost SMP Svensk Maskinprovning AB rovněž ověřila shodu s dodatkem V směrnice Evropského parlamentu a Rady 2000/14/ES. Číslo certifikátu: 01/012/014.

Informace o emisích hluku najdete v části *Technické údaje na strani 27*.

Huskvarna, 2022-05-09



Stefan Holmberg, ředitel výzkumu a vývoje, management technologií, Husqvarna AB

Osoba odpovědná za technickou dokumentaci



Indhold

Indledning.....	32	Transport, opbevaring og bortskaffelse.....	37
Sikkerhed.....	33	Tekniske data.....	37
Drift.....	36	Overensstemmelseserklæring.....	40
Vedligeholdelse.....	37		

Indledning

Produktbeskrivelse

Vi forsøger hele tiden at videreudvikle vores produkter og forbeholder os derfor ret til ændringer af bl.a. form og udseende af produkterne uden forudgående varsel.

Bemærk: Brugsanvisningen omhandler både benzin- og batteridrevne strømenheder.

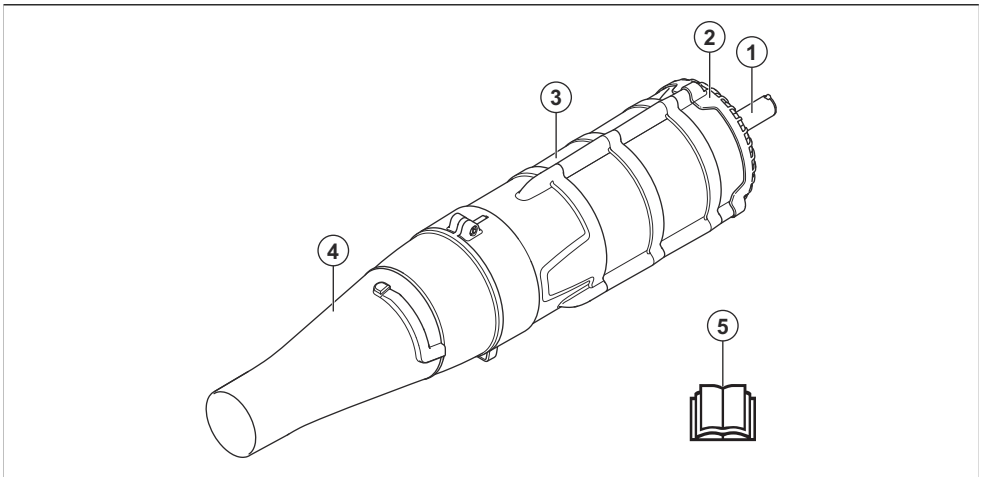
Anvendelsesformål



ADVARSEL: Dette udstyr må kun bruges sammen med den tilsigtede strømenhed. Se kapitlet Tilbehør i brugervejledningen til strømenheden.

Udstyret er kun beregnet til blæsning af græsplæner, stier, asfaltveje og lignende.

Oversigt over skæreudstyr



1. Aksel
2. Si til luftindtag
3. Blæserhus
4. Luftdyse
5. Brugsanvisning

Symboler på tilbehøret og strømenheden



Skødesløs eller forkert brug af dette produkt kan resultere i alvorlige skader eller medføre døden for brugeren eller andre.



Læs brugervejledningen, og sørg for at have forstået indholdet, inden du bruger udstyret.



Dette udstyr er i overensstemmelse med gældende CE-direktiver.



Brug godkendt hørevern, øjenværn og åndedrætsværn.



Brug godkendte beskyttelseshandsker.



Mærkat vedrørende emission af støj til omgivelserne i henhold til direktiver og regulativer i EU og Storbritannien og New South Wales' lovgivning om "Beskyttelse af miljøet (støjbegrænsning) forordning 2017". Produktets garanterede

lydeffektniveau er angivet i *Tekniske data* på side 37 og på mærkaten.



Brugeren af løvblæseren skal sørge for, at ingen mennesker eller dyr kommer nærmere end 15 meter. Når flere brugere arbejder på det samme sted, skal sikkerhedsafstanden være mindst 15 meter. Løvblæseren kan kaste genstande af sted med voldsom kraft, og disse genstande kan slå tilbage. Dette kan medføre alvorlige øjenskader, hvis du ikke anvender det anbefalede beskyttelsesudstyr.

Bemærk: Andre symboler/etiketter på skæreudstyret refererer til specifikke krav for certificering på visse markeder.

Sikkerhed

Sikkerhedsdefinitioner

Advarsler, forholdsregler og bemærkninger bruges til at pege på særligt vigtige dele af brugsanvisningen.



ADVARSEL: Bruges, hvis føreren udsætter sig selv eller omkringstående personer for risiko for personskade eller dødsfald ved tilsidesættelse af instruktionerne i brugsanvisningen.



BEMÆRK: Bruges, hvis der er risiko for skader på produktet og/eller tilbehøret, andre materialer eller det omgivende område ved tilsidesættelse af instruktionerne i brugsanvisningen.

Bemærk: Bruges til at give yderligere oplysninger, der er nødvendige i en given situation.

Sikkerhedsadvarsler vedrørende haveløvblæser, havestøvsuger og haveløvblæsere-/sugere

- **Før brug kontrolleres forsynings- og forlængerledningen for tegn på beskadigelse eller ældning.** Rør ikke ved ledningen, før du frakobler strømforsyningen. Undlad at bruge maskinen, hvis ledningen er skadet eller slidt. En beskadiget netledning kan medføre elektrisk stød, brand og/eller alvorlig personskade.
- **Brug ikke maskinen i dårligt vejr, specielt hvis der er risiko for lynnedslag.** Dette mindsker risikoen for at blive ramt af lynnedslag.
- **Bær beskyttelsesbriller og hørevern.** Passende sikkerhedsudstyr vil reducere risikoen for personskader.
- **Brug altid skridsikkert og beskyttende fodtøj, når du betjener maskinen. Betjen ikke maskinen med bare fødder eller iført åbne sandaler.** Dette reducerer risikoen for fodskader.
- **Bær ikke løstsiddende tøj eller genstande som f.eks. tørklæder, kæder, snore osv. det kan blive trukket ind i luftindtagene. Bind eller dæk langt hår for at sikre, at det ikke trækkes ind i luftindtagene.** Hvis nogen af disse genstande trækkes ind i luftindtagene, kan det øge risikoen for personskade.
- **Hold omkringstående væk, mens maskinen betjenes.** Udslyngt snavs kan øge risikoen for personskade.
- **Ret aldrig blæsemundstykket mod personer eller kæledyr eller mod vinduer. Udvis ekstra forsigtighed, når der blæses snavs i nærheden af faste genstande som f.eks. træer, biler og mure, der kan forårsage, at snavs slynges tilbage.** Udslyngede genstande kan beskadige ejendom og øge risikoen for personskade.
- **Brug ikke maskinen til at opsuge noget, der brænder eller ryger, f.eks. cigaretter, tændstikker eller varm aske.** Disse antændelseskilder kan øge risikoen for brand.
- **Rør ikke ved ventilatoren, mens den stadig er i bevægelse. Sluk for maskinen, og vent, indtil ventilatoren stopper, før du afmonterer dele, der kan give adgang til ventilatoren.** Dette reducerer risikoen for personskade som følge af bevægelige dele.
- **Når du fjerner fastsiddende materiale eller udfører service på maskinen, skal du sørge for, at strømafbryderen er slukket.** Uventet start af maskinen, mens der fjernes fastsiddende materiale

eller udføres vedligeholdelse, kan resultere i alvorlig personskade.

Generelle sikkerhedsinstruktioner



ADVARSEL: Læs de medfølgende sikkerhedsinstruktioner, inden du bruger udstyret.

- Læs brugervejledningen omhyggeligt igennem, og sørg for at have forstået indholdet, inden du bruger udstyret.
- Denne brugervejledning skal læses sammen med brugervejledningen til strømenheden for at få fuldstændige oplysninger.
- Udstyrets oprindelige udformning må under ingen omstændigheder ændres uden producentens samtykke. Brug ikke et udstyr, der ser ud til at være blevet ændret af andre, og brug altid originalt tilbehør. Ikke-autoriserede ændringer og/eller ikke-godkendt tilbehør kan medføre alvorlige skader eller døden for brugeren eller andre.

Sikkerhedsinstruktioner for betjening



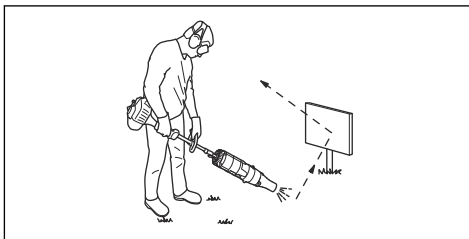
ADVARSEL: Læs følgende advarselsinstruktioner, inden du bruger produktet.



ADVARSEL: Dette produkt danner et elektromagnetisk felt under betjening. Dette felt kan i visse tilfælde påvirke aktive eller passive medicinske implantater. For at reducere risikoen for alvorlige eller dødbringende kvæstelser anbefaler vi, at personer med medicinske implantater kontakter deres læge og producenten af det medicinske implantat, før de tager produktet i brug.

- Anvend aldrig produktet, hvis du er træt, hvis du er syg, har drukket alkohol eller indtaget stoffer, eller hvis du tager medicin, som kan påvirke dit syn, din dømmekraft eller din koordinationsevne.
- Brug aldrig et produkt, som er behæftet med fejl.
- Samtlige dæksler og skærme skal være monteret før start. Hvis du har et benzindrevet produkt, skal du kontrollere, at tændhætten og tændkablet er intakte, så du ikke får stød.
- Brugeren af løvblæseren skal sørge for, at ingen mennesker eller dyr kommer nærmere end 15 meter. Når flere brugere arbejder på det samme sted, skal sikkerhedsafstanden være mindst 15 meter.
- Tillad aldrig børn at bruge produktet.
- Lad aldrig en anden bruge produktet, uden at du har sikret dig, at vedkommende har læst og forstået indholdet i brugervejledningen.
- Fjern aldrig sien foran luftindtaget.

- Berør aldrig tændrøret eller tændingskablet, mens motoren er i gang. Hvis tændrøret eller stikproppen berøres, kan det medføre elektrisk stød.
- Tag altid kontakt til de lokale myndigheder og sørg for, at du overholder gældende bestemmelser.
- Hold alle dele af kroppen på sikker afstand af varme overflader.
- Når du kommer ud for en situation, som gør dig usikker med hensyn til fortsat brug, skal du spørge en ekspert til råds. Henvend dig til din forhandler eller dit serviceværksted. Undgå al brug, som du ikke synes, du er tilstrækkeligt kvalificeret til.
- Hold blæserørets munding så tæt til jorden som muligt. Udnyt hele blæserørets længde for at holde luftstrømmen tæt på jorden.
- Brug maskinen inden for normal arbejdstid for at undgå unødige gener. Undgå at arbejde tidligt om morgenen eller sent om aftenen.
- Vær opmærksom på omgivelserne. Hvis nogen nærmer sig dit arbejdsområde, skal du slippe strømudløseren, indtil personen er på sikker afstand. Ret blæseren væk fra mennesker, dyr, legepladser, åbne vinduer, biler osv. Lufttrykket kan kaste eller rikoettere sten, jord eller pinde, som kan skade mennesker eller dyr, knuse glasruder eller forårsage anden skade.
- Sæt aldrig hænder eller andre genstande ind i blæserhuset - på den måde undgår du alvorlige skader forårsaget af det roterende blæserhjul.
- Hold de ydre overflader fri for olie og brændstof.
- Brug aldrig produktet til at sprede kemikalier, gødning eller andre stoffer, der kan indeholde giftige materialer.
- For at undgå brandfare må produktet ikke anvendes i nærheden af løv- eller skovbrande, åbne kaminer, bålpladser, askebægre eller lignende.
- Tilbehøret må aldrig overhældes eller sprøjtes med vand eller andre væsker.
- Brug altid begge hænder til at holde maskinen. Hold maskinen på siden af kroppen.
- Hvis du har et benzindrevet produkt, skal du lade motoren køle af, før du tanker op.
- Den kraftige luftstrøm kan flytte ting med en sådan hastighed, at de kan rikoettere tilbage og medføre alvorlige øjenskader.



- Stands motoren inden montering eller afmontering af ekstraudstyr eller andre dele.

- Brug ikke produktet i dårligt vejr, som f.eks. i tæt tåge, kraftigt regnvejr, hård blæst, kraftig kulde osv. Udførelse af arbejde i dårligt vejr er trættende og kan skabe farlige forhold, f.eks. glatte overflader.
- Sørg for, at du kan bevæge dig og stå sikkert. Kig efter eventuelle forhindringer ved en uventet retrætte (rødder, sten, grene, huller, græfter osv.). Vær meget forsigtig ved arbejde i skrånende terræn.

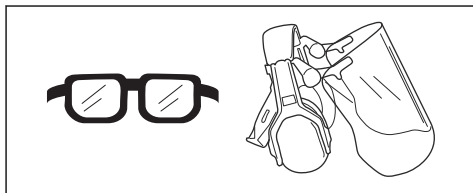


- Stil aldrig produktet ned på jorden med motoren i drift, uden at du har den under opsyn.
- Hvis du har et benzindrevet produkt, indeholder motorens udstødningsgasser kullite, som kan forårsage kulliteforgiftning. Start eller køør derfor aldrig produktet indendørs, eller hvor luftcirkulationen er mangelfuld.
- Blæseren må ikke anvendes, mens du står på en stige eller et stillads, eller på steder, der er højt oppe (f.eks. tage). Det kan medføre alvorlig personskade.

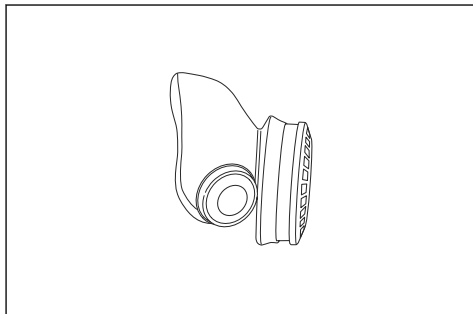


- Brug aldrig produktet uden mulighed for at kunne tilkalde hjælp i tilfælde af en ulykke.
- Anbring aldrig genstande i luftindtaget, da dette kan forhindre luften i at strømme frit, hvilket kan beskadige enheden.
- Sørg for, at produktet ikke rammer hegn, træer eller andre hårde materialer. Dette kan forårsage beskadigelse af maskinen og medfører alvorlig personskade.
- Vær altid opmærksom på advarselssignaler eller tilråb, når høreværnet bruges. Tag altid høreværnet af, så snart motoren standser.

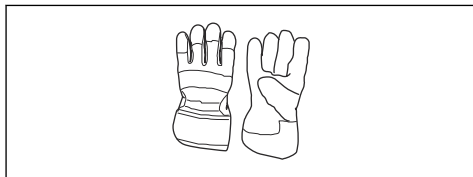
- Brug godkendt personligt beskyttelsesudstyr, når du bruger produktet. Personligt beskyttelsesudstyr udelukker ikke fuldstændigt risikoen for personskader, men det mindsker graden af skaderne i tilfælde af, at der skulle ske en ulykke. Lad forhandleren hjælpe dig med at vælge det rigtige udstyr.
- Brug godkendt høreværn, der giver tilstrækkelig lydæmpning. Langvarig eksponering for støj kan medføre permanente høreskader.
- Brug godkendt øjenværn. Hvis du bruger et ansigtssvæn, skal du også bruge godkendte beskyttelsesbriller. Godkendte beskyttelsesbriller skal være i overensstemmelse med den amerikanske standard ANSI Z87.1 eller EU-standardEN 166.



- Brug åndedrætsværn, når der er risiko for støv.



- Brug om nødvendigt beskyttelseshandsker, f.eks. ved montering, eftersyn og rengøring af udstyret.

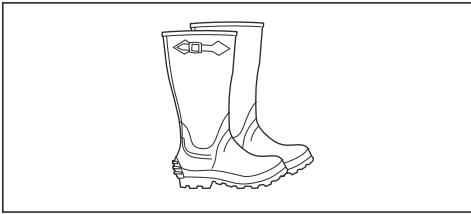


Personligt beskyttelsesudstyr

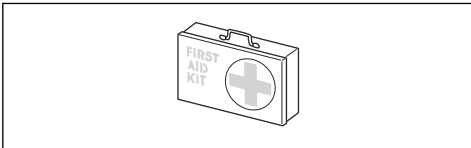


ADVARSEL: Læs følgende advarelsinstruktioner, inden du bruger produktet.

- Brug skridsikre og stabile støvler eller sko.



- Brug beklædning, der er lavet af et stærkt materiale. Brug altid kraftige lange bukser og lange ærmer. Brug ikke løstsiddende tøj, som kan sætte sig fast i buske og grene. Undgå smykker, shorts og sandaler, og gå ikke barfodet. Sæt håret op i en sikker højde, dvs. over skulderen.
- Sørg for at have førstehjælpsudstyr ved hånden.



Sikkerhedsinstruktioner for vedligeholdelse



ADVARSEL: Læs

advarselsinstruktionerne, inden du betjener produktet.

Udfør en generel inspektion af produktet før brug. Se vedligeholdelsesskemaet.

Følg vedligeholdelses- og serviceanvisningerne i denne brugervejledning. Visse vedligeholdelses- og serviceforanstaltninger må kun udføres af erfarne og kvalificerede specialister. Se anvisningerne under overskriften Vedligeholdelse.

Se altid efter eventuelle genstande, som kan have blokeret luftindtagets si, før arbejdet påbegyndes.

Montering og afmontering skal gennemføres tæt på jordens overflade for at forhindre, at produktet bliver beskadiget, hvis det tabes eller falder ned.

Drift

Sådan bruges tilbehøret

Bemærk: Vis hensyn overfor personer i dine omgivelser ved at undgå at anvende maskinen på upassende tidspunkter, for eksempel sent om aftenen eller tidligt om morgenen. Reducer støjniveaueu ved at begrænse antallet af udstyrsheder, der benyttes samtidig. Læs og følg nedenstående enkle råd for at forstyrre dine omgivelser så lidt som muligt.

1. Anvend en rive eller en kost for at løsne fastsiddende affald fra jorden.
2. Rens hjørner ved at starte i hjørnet og arbejde udad. Dette vil hjælpe med at samle snavset, der ellers vil kunne blæse op i ansigtet.
3. Anvend blæseren med lavest mulige gas/hastighed. Det er sjældent nødvendigt at anvende fuld gas/hastighed, og mange arbejdsopgaver kan udføres med halv gas/hastighed. Mindre gas/hastighed indebærer mindre støj og mindre støv. Det er også lettere at få kontrol over det affald, som skal samles sammen/flyttes.
4. Minimer den nødvendige arbejdstid ved at fugte meget støvede områder en smule eller benytte sprøjtudstyr.

5. Reducer vandforbruget ved at benytte løvblæsere i stedet for vandslanger til forskellige anvendelsesområder vedr. plænen og i haven, herunder f.eks. gitre, læhegn, riste, verandaer osv.
6. Vær forsigtig under arbejde i nærheden af planter. Luftstrømmen kan beskadige sarte planter.
7. Hastigheden på luftstrålen reguleres ved hjælp af gasreguleringen/strømdløseren. Vælg den hastighed, der passer bedst til formålet.
8. Vær bevidst om vindretningen. Arbejd i vindens retning for at gøre arbejdet lettere.
9. At anvende løvblæseren for at fjerne store stakke er tidskrævende og skaber unødvendig støj.
10. Hold god balance og sikkert fodfæste.
11. Hold afstand mellem røret og jorden for at undgå kontakt med jorden under arbejdet med produktet.
12. Ryd op efter dig. Forvis dig om, at du ikke har blæst affald ind på en eller andens grund. Bortskaf affald i affaldsbeholdere.
13. Når arbejdet er afsluttet, skal produktet opbevares horisontalt.

Vedligeholdelse

Indledning

Nedenfor følger nogle generelle vedligeholdelsesinstruktioner. Hvis du har brug for yderligere oplysninger, kan du kontakte serviceværkstedet.

Sådan vedligeholdes udstyret dagligt



ADVARSEL: Stands altid motoren, før du rengør eller vedligeholder udstyret. Hvis du har et benzindrevet produkt, skal du fjerne tændrørskablet fra tændrøret. Hvis du har et batteridrevet produkt, skal du fjerne batteriet.



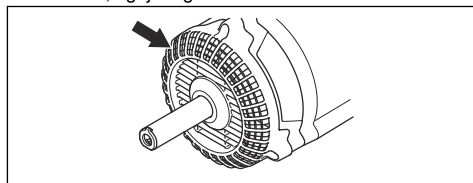
ADVARSEL: Hold alle dele af kroppen på sikker afstand af varme overflader.

1. Rengør løvblæserens udvendige overflade.
2. Sørg for, at huset er fri for revner.

3. Kontrollér produktet, så det er i optimal stand.
4. Sørg for, at alle møtrikker og skruer er spændt.
5. Rengør mærkaterne med en klud, der er fugtet med et mildt rengøringsmiddel.

Sådan kontrolleres luftfilterflangen

1. Kontrollér, at luftindtaget ikke blokeres på nogen af siderne af eksempelvis løv eller andet materiale. Hvis luftindtaget er stoppet, forringes produktets blæsekapacitet, mens motorens arbejdstemperatur øges, hvilket kan medføre motorhavari. Stands motoren, og fjern genstanden.



Transport, opbevaring og bortskaffelse

Transport og opbevaring

Efter hver brug gøres følgende:

- Lad redskabet køle af før transport eller opbevaring.
- Opbevar redskabet på et højt, køligt, tørt sted indendørs og uden for børns rækkevidde.

Sæsonopbevaring

Gør tilbehøret klart til at blive sat væk, når sæsonen er slut, eller hvis det ikke skal anvendes i 30 dage eller mere. Hvis løvblæsertilbehøret skal opbevares i en periode:

- Rengør enheden.

- Efterse redskabet for løse eller beskadigede dele. Stram eventuelle løse skruer.
- Udskift beskadigede, slidte eller defekte dele.
- Ved starten af næste sæson må der kun anvendes frisk blandet brændstof i det korrekte benzin/olieforhold

Bortskaffelse

- Overhold de lokale krav til genanvendelse og de gældende regler.
- Når produktet ikke længere er i brug, skal det sendes til en Husqvarna forhandler eller bortskaffes på en lokal genbrugsstation.

Tekniske data

Tekniske data for benzindrevne produkter

BA101	
Vægt	
Vægt, kg	1,9
Støjemissioner	
Lydeffektniveau, målt dB(A)	111
Lydeffektniveau, garanteret L _{WA} dB (A)	114

BA101	
Lydniveauer ²²	
Ækvivalent lydtryksniveau ved brugerens øre, målt i henhold til EN15503 dB(A)	99
Vibrationsniveauer ²³	
Ækvivalente vibrationsniveauer ($a_{hv,eq}$) i håndtagene målt i henhold til EN ISO 15503, m/s ²	
Forreste/bageste håndtag:	5,6/8,3
Blæserydelse ²⁴	
Maks. luft hastighed ved standardmundstykke, m/s:	46
Luftgennemstrømning ved standardmundstykke, m ³ /min	14

Tekniske data for batteridrevne produkter

325iLK + Blower attachment BA101	
Vægt	
Vægt, kg	2,3+1,9
Støjmissioner ²⁵	
Lydeffektniveau, målt dB(A)	103
Lydeffektniveau, garanteret L_{WA} dB (A)	106
Lydniveauer ²⁶	
Lydtryksniveau ved brugerens ører målt i henhold til ISO 26868, dB(A)	
Udstyret med godkendt tilbehør (original), dB (A)	93
Vibrationsniveauer ²⁷	
Vibrationsniveauer i håndtag målt i henhold til EN 62841-1, m/s ²	
Udstyret med godkendt tilbehør (original), venstre/højre m/s	1,6/1,1

²² Værdien for det ækvivalente lydtrykniveau beregnes med en arbejdscyklus med en varighed på 1/7 for tomgang og 6/7 for høj hastighed. Rapporterede data for ækvivalent lydtryksniveau for maskinen har en typisk statistisk spredning (standardafvigelse) på 1 dB(A).

²³ Værdien for det ækvivalente vibrationsniveau beregnes med en arbejdscyklus med en varighed på 1/7 for tomgang og 6/7 for høj hastighed. Rapporterede data for ækvivalent vibrationsniveau har en typisk statistisk spredning (standardafvigelse) på 1 m/s².

²⁴ Sammen med motorenheden 525LK/GC2225C.

²⁵ Støjmissioner til omgivelserne målt som lydeffekt (L_{WA}) i henhold til EF-direktiv 2000/14/EF. Rapporteret lydeffektniveau for maskinen er målt med det originale klippeudstyr, der giver det højeste niveau. Forskellen mellem garanteret og målt lydeffekt er, at den garanterede lydeffekt også omfatter spredning i måleresultatet og variationerne mellem forskellige maskiner af samme model i henhold til direktivet 2000/14/EF.

²⁶ Rapporterede data for maskinens lydtryksniveau har en typisk statistisk spredning (standardafvigelse) på 3 dB (A) og er blevet målt med det originale udstyr, der giver det højeste niveau. Målt sammen med motorenheden 325iLK.

²⁷ Rapporterede data for vibrationsniveau har en typisk statistisk spredning (standardafvigelse) på 2 m/s². Til sammenligning af vibrationsniveauer mellem batteri- og benzindrevne produkter skal du anvende vibrationsberegneren: <https://www.husqvarna.com/uk/services-solutions/vibration-calculator/>. Målt sammen med motorenheden 325iLK.

325iLK + Blower attachment BA101	
Blæserydelse²⁸	
Luftstrøm i normal tilstand ved standardmundstykke, m ³ /min	14
Maks. lufthastighed i normal tilstand ved standardmundstykke, m/s:	45

²⁸ Målt sammen med motorenheden 325iLK.

Overensstemmelseserklæring

EU-overensstemmelseserklæring

Vi, **Husqvarna AB**, SE-561 82 Huskvarna, Sverige,
tlf.: +46-36-146500 erklærer under eneansvar, at det
pågældende produkt:

Beskrivelse	Blæsertilbehør
Varemærke	Husqvarna
Type / model	BA101
Identifikation	Serienumrene fra 2022 og fremefter

overholder følgende EU-direktiver og bestemmelser:

Regulativ	Beskrivelse
2006/42/EF	"vedrørende maskiner"
2000/14/EF	"vedrørende støjemissioner til omgivelserne"
2011/65/EU	"om begrænsning af anvendelsen af visse farlige stoffer i elektrisk og elektronisk udstyr"

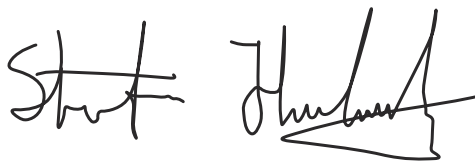
og at følgende standarder og/eller tekniske
specifikationer anvendes: EN 15503:2009+A2:2015, EN
ISO 12100:2021, EN IEC 63000:2018.

SMP Svensk Maskinprovning AB, Box 4053, SE-904 03
Umeå, Sweden har foretaget en frivillig typeafprøvning i
henhold til bilag IX til 2006/42/EF.

Certifikatnummer: SEC/15/2416 – Husqvarna BA101.

Se *Tekniske data på side 37* vedr. oplysninger om
støjemission.

Huskvarna, 2022-05-09



Stefan Holmberg, R&D Director, Technology
Management, Husqvarna AB

Ansvarlig for teknisk dokumentation



EU-overensstemmelseserklæring

Vi, **Husqvarna AB**, SE-561 82 Huskvarna, Sverige,
tlf.: +46-36-146500 erklærer under eneansvar, at det
pågældende produkt:

Beskrivelse	Blæser med strømforsyning Husqvarna325iLK
Varemærke	Husqvarna
Type / model	BA101
Identifikation	Serienumrene fra 2022 og fremefter

overholder følgende EU-direktiver og bestemmelser:

Regulativ	Beskrivelse
2006/42/EF	"vedrørende maskiner"
2000/14/EF	"vedrørende støjemissioner til omgivelserne"
2011/65/EU	"om begrænsning af anvendelsen af visse farlige stoffer i elektrisk og elektronisk udstyr"

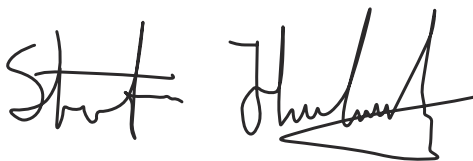
og at følgende standarder og/eller tekniske
specifikationer anvendes: IEC 62841-4-6, EN ISO
12100:2021, EN IEC 63000:2018.

SMP Svensk Maskinprovning AB, Box 4053, SE-904 03
Umeå, Sweden har foretaget en frivillig typeafprøvning
i henhold til bilag IX til 2006/42/EF. Certifikatnummer:
SEC/15/2416 – Husqvarna BA101.

SMP Svensk Maskinprovning AB, har også bekræftet
overensstemmelse med Bilag V til Rådets direktiv
2000/14/EF. Certifikatnummer: 01/012/014.

Se *Tekniske data på side 37* vedr. oplysninger om
støjemission.

Huskvarna, 2022-05-09



Stefan Holmberg, R&D Director, Technology
Management, Husqvarna AB

Ansvarlig for teknisk dokumentation



Inhalt

Einleitung.....	42	Transport, Lagerung und Entsorgung.....	48
Sicherheit.....	43	Technische Angaben.....	48
Betrieb.....	47	Konformitätserklärung.....	51
Wartung.....	47		

Einleitung

Produktbeschreibung

Wir arbeiten ständig an der Weiterentwicklung unserer Geräte und behalten uns daher das Recht auf Änderungen ohne vorherige Ankündigung, z. B. von Form und Aussehen, vor.

Hinweis: Dieses Handbuch bezieht sich sowohl auf benzin- als auch auf akkubetriebene Antriebsaggregate.

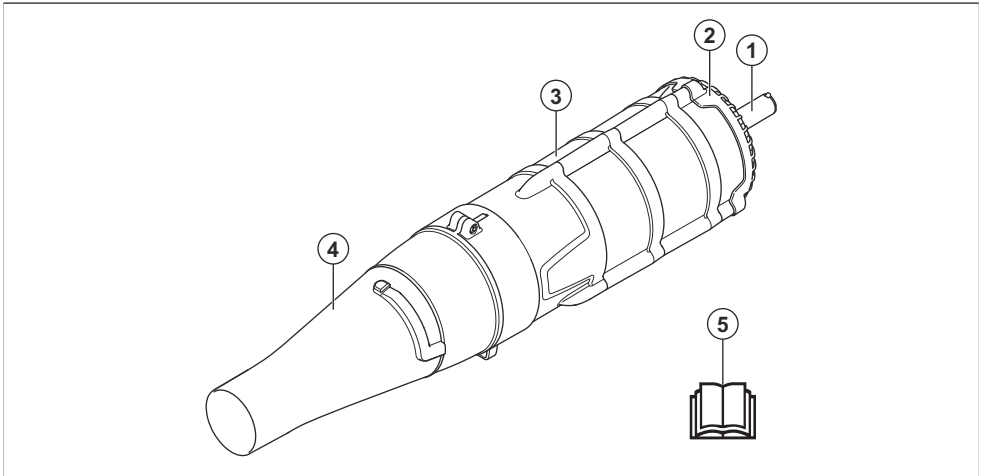
Bestimmungsgemäße Verwendung



WARNUNG: Dieses Anbaugerät darf nur zusammen mit dem vorgesehenen Antriebsaggregat verwendet werden. Weitere Informationen finden Sie im Kapitel „Zubehör“ in der Bedienungsanleitung des Antriebsaggregats.

Das Anbaugerät ist nur für das Säubern von Rasenflächen, Gehwegen, asphaltierten Straßen u. Ä. konzipiert.

Übersicht über das Anbaugerät



1. Schaft
2. Lufteinlassgitter
3. Lüftergehäuse
4. Luftdüse
5. Bedienungsanleitung

Symbole auf dem Anbaugerät und dem Antriebsaggregat



Durch unsachgemäße oder nachlässige Handhabung dieses Anbaugeräts können schwere Verletzungen oder sogar tödliche Unfälle von Anwendern oder anderen Personen verursacht werden.



Lesen Sie die Bedienungsanleitung aufmerksam durch, und machen Sie sich mit den Anweisungen vertraut, bevor Sie das Anbaugerät verwenden.



Dieses Anbaugerät stimmt mit den geltenden CE-Richtlinien überein.



Verwenden Sie einen zugelassenen Gehör-, Augen- und Atemschutz.



Tragen Sie zugelassene Schutzhandschuhe.



Etikett mit Geräuschemissionen gemäß EU- und UK-Richtlinien und Verordnungen sowie der australischen „Protection of the Environment Operations (Noise Control) Regulation 2017“ (Umweltschutz-/Lärmschutzbestimmung) von New South Wales. Der garantierte Schalleistungspegel des Geräts ist unter *Technische Angaben auf Seite 48* und auf dem Etikett angegeben.



Der Bediener des Laubblasgeräts hat dafür zu sorgen, dass Menschen und Tiere einen Abstand von mindestens 15 m halten. Wenn mehrere Bediener im selben Nahbereich arbeiten, muss der Sicherheitsabstand mindestens 15 m betragen. Das Laubblasgerät kann Gegenstände mit großer Kraft herausschleudern, die zurückprallen können. Dies kann zu schweren Augenverletzungen führen, wenn die empfohlene Schutzausrüstung nicht getragen wird.

Hinweis: Sonstige Symbole/Aufkleber auf dem Anbaugerät beziehen sich auf spezielle Zertifizierungsanforderungen, die in bestimmten Ländern gelten.

Sicherheit

Sicherheitsdefinitionen

Warnungen, Vorsichtsmaßnahmen und Hinweise werden verwendet, um auf besonders wichtige Teile der Bedienungsanleitung hinzuweisen.



WARNUNG: Wird verwendet, wenn bei Nichtbeachtung der Anweisungen in diesem Handbuch die Gefahr von Verletzung oder Tod des Bedieners oder anderer Personen besteht.



ACHTUNG: Wird verwendet, wenn bei Nichtbeachtung der Anweisungen in diesem Handbuch die Gefahr von Schäden am Produkt und/oder am Anbaugerät, an anderen Materialien oder in der Umgebung besteht.

Hinweis: Für weitere Informationen, die in bestimmten Situationen nötig sind.

Laubblasgerät, Laubsauger und Sicherheitshinweise für Laubblasgerät/Laubsauger

- **Überprüfen Sie Netzkabel und Verlängerungskabel vor dem Gebrauch auf Anzeichen von Beschädigung und Alterung.** Berühren Sie das Kabel erst, nachdem die Stromversorgung getrennt wurde. Verwenden Sie das Gerät nicht, wenn das Kabel beschädigt oder abgenutzt ist. Ein beschädigtes Netzkabel kann zu Stromschlag, Feuer und/oder schweren Verletzungen führen.
- **Verwenden Sie das Gerät nicht bei schlechten Wetterverhältnissen, insbesondere dann nicht, wenn Blitzschlaggefahr besteht.** Dadurch wird die Gefahr eines Blitzschlags reduziert.
- **Tragen Sie einen Augen- und einen Gehörschutz.** Eine geeignete Schutzausrüstung verringert das Risiko von Verletzungen.
- **Tragen Sie beim Betrieb des Geräts stets rutschfeste Sicherheitsschuhe. Bedienen Sie das Gerät nicht barfuß oder mit Sandalen.** Dadurch wird die Verletzungsgefahr für die Füße reduziert.

- **Tragen Sie keine lose sitzende Kleidung oder Schals, Schnüre, Ketten, Krawatten usw., die in die Lufteinlässe gesaugt werden könnten. Lange Haare müssen zusammengebunden oder bedeckt werden, damit sie nicht in die Lufteinlässe gesaugt werden.** Wenn eines dieser Elemente in die Lufteinlässe gesogen wird, kann dies das Verletzungsrisiko erhöhen.
- **Achten Sie beim Betrieb des Geräts darauf, dass sich keine umstehenden Personen in Ihrer Nähe befinden.** Umherfliegende Blätter und aufgewirbelter Schmutz können das Risiko von Verletzungen erhöhen.
- **Richten Sie die Ausblasöffnung niemals auf Personen, Haustiere oder Fenster. Seien Sie besonders vorsichtig beim Blasen von Laub und Schmutz in der Nähe von festen Gegenständen wie Bäumen, Fahrzeugen und Wänden, an denen Laub und Schmutz zurückprallen könnten.** Durch aufgewirbelte Gegenstände kann Eigentum beschädigt und das Risiko von Verletzungen erhöht werden.
- **Richten Sie das Gerät nicht auf brennende oder rauchende Gegenstände oder Substanzen wie Zigaretten, Streichhölzer oder heiße Asche.** Diese Zündquellen können zu einem erhöhten Brandrisiko führen.
- **Berühren Sie den Gebläserotor nicht, während er sich noch bewegt. Schalten Sie das Gerät aus, und warten Sie, bis der Gebläserotor zum Stillstand kommt, bevor Sie Teile entfernen, die den Gebläserotor freilegen könnten.** So reduzieren Sie die Verletzungsgefahr durch bewegliche Teile.
- **Achten Sie beim Entfernen von eingeklemmtem Material oder bei der Wartung des Geräts darauf, dass der Netzschalter ausgeschaltet ist.** Eine unerwartete Betätigung der Maschine beim Entfernen von eingeklemmten Material oder bei der Wartung kann zu schweren Verletzungen führen.

Allgemeine Sicherheitshinweise



WARNUNG: Lesen Sie die folgenden Sicherheitshinweise, bevor Sie das Anbaugerät benutzen.

- Lesen Sie die Betriebsanleitung sorgfältig durch und machen Sie sich mit dem Inhalt vertraut, bevor Sie das Anbaugerät benutzen.
- Diese Bedienungsanleitung sollte zusammen mit der Bedienungsanleitung des Antriebsaggregats gelesen werden, um die vollständigen Benutzerinformationen zu erhalten.
- Unter keinen Umständen darf die ursprüngliche Konstruktion des Anbaugeräts ohne Genehmigung des Herstellers geändert werden. Verwenden Sie keine Anbaugeräte, die modifiziert wurden, und verwenden Sie immer Originalzubehör. Unzulässige Änderungen und/oder unzulässiges Zubehör können

zu schweren oder sogar tödlichen Verletzungen des Anwenders oder anderer Personen führen.

Sicherheitshinweise für den Betrieb



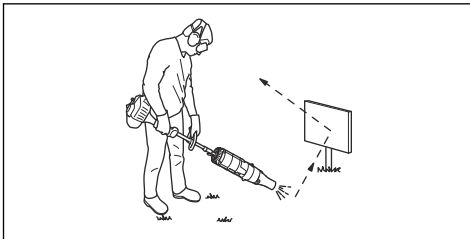
WARNUNG: Lesen Sie die folgenden Warnhinweise, bevor Sie das Gerät verwenden.



WARNUNG: Dieses Gerät erzeugt beim Betrieb ein elektromagnetisches Feld. Dieses Feld kann sich unter bestimmten Bedingungen auf die Funktionsweise aktiver oder passiver medizinischer Implantate auswirken. Um die Gefahr von Situationen, die zu schweren oder tödlichen Verletzungen führen können, auszuschließen, sollten Personen mit einem medizinischen Implantat vor der Nutzung dieses Geräts ihren Arzt und den Hersteller des Implantats konsultieren.

- Benutzen Sie das Gerät niemals, wenn Sie müde oder krank sind, Alkohol getrunken, Drogen oder Medikamente eingenommen haben, die Ihre Sehkraft, Ihr Urteilsvermögen oder Ihre Koordinationsfähigkeit beeinträchtigen können.
- Arbeiten Sie niemals mit einem defekten Gerät.
- Alle Gehäuse- und Schutzteile müssen vor dem Start montiert werden. Wenn Ihr Gerät mit Benzin betrieben wird, stellen Sie sicher, dass Zündkappe und Zündkabel unversehrt sind, um die Gefahr von elektrischen Schlägen zu vermeiden.
- Der Bediener des Laubbläsergeräts hat dafür zu sorgen, dass Menschen und Tiere einen Abstand von mindestens 15 m halten. Wenn mehrere Bediener im selben Nahbereich arbeiten, muss der Sicherheitsabstand mindestens 15 m betragen.
- Gestatten Sie auf keinen Fall Kindern, das Gerät zu verwenden.
- Lassen Sie niemals jemand anderen das Gerät benutzen, ohne sich zu vergewissern, dass die Person den Inhalt der Bedienungsanleitung gelesen und verstanden hat.
- Das Lufterlassgitter darf niemals entfernt werden.
- Niemals die Zündkerze oder das Zündkabel bei laufendem Motor berühren. Berühren der Zündkerze kann zu einem elektrischen Schlag führen.
- Nehmen Sie immer mit den örtlichen Behörden Verbindung auf, um sicherzustellen, dass Sie die geltenden Vorschriften befolgen.
- Halten Sie alle Körperteile von heißen Oberflächen fern.
- Wenn Sie in eine Situation kommen, die Sie in Bezug auf die weitere Anwendung des Geräts verunsichert, lassen Sie sich von einem Experten beraten. Wenden Sie sich an Ihren Händler oder Ihre Servicewerkstatt. Führen Sie keine Arbeiten aus, mit denen Sie überfordert sind.

- Halten Sie die Ausblasöffnung so nah wie möglich am Boden. Nutzen Sie die gesamte Länge des Blasrohrs, um den Luftstrom am Boden zu halten.
- Verwenden Sie das Gerät während normaler Arbeitszeiten, um unnötige Lärmbelastung zu vermeiden. Vermeiden Sie es, früh am Morgen oder spät in der Nacht zu arbeiten.
- Achten Sie auf Ihre Umgebung. Wenn sich jemand Ihrem Arbeitsbereich nähert, lassen Sie den Gashebel los, bis sich die Person wieder in sicherem Abstand befindet. Richten Sie das Laubblasgerät weg von Personen, Tieren, Spielbereichen, offenen Fenstern, PKWs usw. Der kräftige Luftstrom kann dazu führen, dass Steine, Schmutz oder Stöcke umhergeschleudert werden, sodass es zu Verletzungen von Personen oder Tieren, zu Glasbruch oder sonstigen Schäden kommen kann.
- Greifen Sie niemals mit der Hand oder mit Gegenständen in das Gebläsegehäuse. Am rotierenden Lüfterrad besteht erhebliche Verletzungsgefahr.
- Halten Sie die Oberfläche frei von Öl und Kraftstoff.
- Verwenden Sie das Gerät nicht zur Ausbringung von Chemikalien, Düngemitteln oder sonstigen Substanzen, die Giftstoffe enthalten können.
- Verhindern Sie die Entstehung bzw. Ausbreitung von Flächenbränden. Arbeiten Sie mit dem Gerät nicht in der Nähe von brennenden Laub- oder Strauchhaufen, Feuerstellen, Grillplätzen, Aschetonnen usw.
- Tauchen oder spülen Sie das Anbaugerät nicht in Wasser oder einer anderen Flüssigkeit.
- Halten Sie das Gerät immer mit beiden Händen fest. Halten Sie das Gerät an der Seite des Körpers.
- Wenn Ihr Gerät mit Benzin betrieben wird, lassen Sie den Motor vor dem Tanken abkühlen.
- Durch die starken Luftströme können Objekte mit einer solchen Geschwindigkeit weggeblasen werden, dass sie zurückprallen und schwere Augenverletzungen hervorrufen.

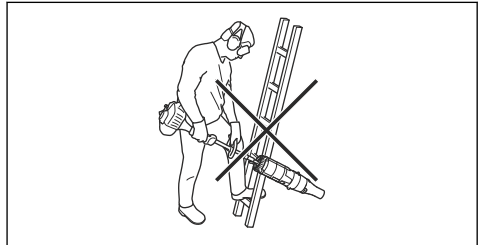


- Stellen Sie sie vor der Montage oder Demontage von Zubehörteilen oder sonstigen Teilen stets den Motor ab.
- Verwenden Sie das Gerät niemals bei schlechtem Wetter, z. B. bei dichtem Nebel, starkem Regen, starkem Wind, großer Kälte usw. Das Arbeiten bei schlechtem Wetter ist sehr ermüdend und kann gefährliche Umstände herbeiführen, z. B. Rutschgefahr.

- Stellen Sie sicher, dass Sie sicher gehen und stehen können. Achten Sie auf evtl. Hindernisse (Wurzeln, Steine, Äste, Löcher, Gräben usw.), wenn Sie unvermittelt Ihren Standort wechseln müssen. Beim Arbeiten auf abschüssigem Boden müssen Sie immer sehr vorsichtig sein.



- Stellen Sie das Gerät niemals mit laufendem Motor unbeaufsichtigt ab.
- Wenn Ihr Gerät mit Benzin betrieben wird, enthalten die Motorabgase Kohlenmonoxid, das zu einer Kohlenmonoxidvergiftung führen kann. Starten Sie das Gerät deshalb niemals im Innenbereich oder an anderen Orten mit mangelhafter Luftzirkulation und lassen Sie es dort nicht laufen.
- Das Laubblasgerät darf nicht auf Leitern, Gerüsten oder in erhöhter Position (z. B. auf Dächern) eingesetzt werden. Einsätze dieser Art können zu schweren Verletzungen führen.



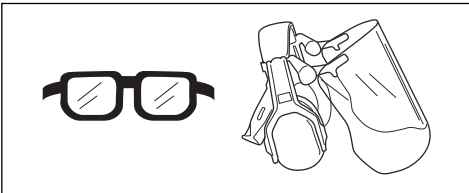
- Sie dürfen das Gerät niemals benutzen, wenn nicht die Möglichkeit besteht, im Falle eines Unfalls Hilfe herbeizurufen.
- Positionieren Sie keine Gegenstände über dem Lufteinlass, dadurch wird der vorgeschriebene Luftstrom gedrosselt und das Gerät evtl. beschädigt.
- Stellen Sie sicher, dass das Gerät auf keinen Zaun, Baum oder ein anderes hartes Material trifft. Das kann zu Beschädigungen der Maschine und schweren Verletzungen führen.
- Achten Sie immer genau auf Warnsignale oder Rufe, wenn Sie den Gehörschutz tragen. Nehmen Sie den Gehörschutz immer ab, sobald der Motor abgestellt ist.

Persönliche Schutzausrüstung

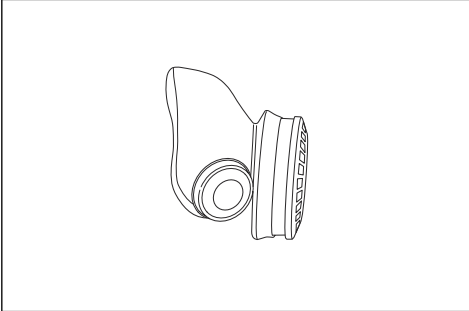


WARNUNG: Lesen Sie die folgenden Warnhinweise, bevor Sie das Gerät verwenden.

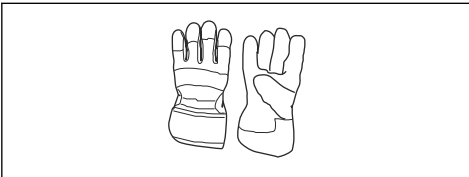
- Verwenden Sie stets die vorgeschriebene persönliche Schutzausrüstung bei der Benutzung des Geräts. Die persönliche Schutzausrüstung kann Verletzungen nicht vollständig vermeiden, vermindert aber den Umfang der Verletzungen und Schäden bei einem Unfall. Lassen Sie sich von Ihrem Händler bei der Auswahl der richtigen Ausrüstung unterstützen.
- Tragen Sie einen zugelassenen Gehörschutz mit ausreichender Lärmreduzierung. Eine längerfristige Lärmeinwirkung kann zu bleibenden Gehörschäden führen.
- Tragen Sie einen zugelassenen Augenschutz. Bei der Benutzung eines Visiers ist außerdem eine zugelassene Schutzbrille zu tragen. Zugelassene Schutzbrillen sind in diesem Falle diejenigen, die die Normen ANSI Z87.1 für die USA bzw. EN 166 für EU-Länder erfüllen.



- Verwenden Sie bei Staubgefahr einen Atemschutz.



- Tragen Sie bei Bedarf Schutzhandschuhe, beispielsweise bei der Montage, Prüfung oder Reinigung der Ausrüstung.



- Verwenden Sie rutschfeste und stabile Stiefel oder Schuhe.



- Tragen Sie Kleidung aus reißfestem Material. Tragen Sie stets lange Hosen aus schwerem Stoff und lange Ärmel. Tragen Sie keine weite Kleidung, die sich leicht an Ästen und Zweigen verfangen könnte. Vermeiden Sie das Tragen von Schmuck, kurzen Hosen und Sandalen. Gehen Sie nicht barfuß. Binden Sie Ihre Haare sicherheitshalber zusammen, sodass sie nicht über Ihre Schultern fallen.
- Halten Sie eine Erste-Hilfe-Ausrüstung und einen Feuerlöscher griffbereit.



Sicherheitshinweise für die Wartung



WARNUNG: Lesen Sie die folgenden Warnhinweise, bevor Sie das Produkt verwenden.

Führen Sie vor dem Gebrauch des Geräts eine Gesamtüberprüfung durch. Siehe Wartungsplan.

Befolgen Sie die Wartungs- und Serviceanweisungen in dieser Betriebsanleitung sorgfältig. Gewisse Wartungs- und Servicemaßnahmen sind von geschulten, qualifizierten Fachleuten auszuführen. Siehe Anweisungen unter dem Titel „Wartung“.

Prüfen Sie vor Beginn der Arbeit immer, ob das Lufterlassgitter durch Fremdkörper blockiert werden kann.

Zur Vermeidung von Schäden durch Herunterfallen des Geräts sollte die Montage und Demontage in Bodennähe durchgeführt werden.

Betrieb

So verwenden Sie das Anbaugerät

Hinweis: Nehmen Sie Rücksicht auf die Menschen in Ihrer Umgebung: Vermeiden Sie es, das Gerät zu unpassenden Zeiten zu benutzen, z. B. am späten Abend oder frühen Morgen. Reduzieren Sie den Geräuschpegel durch Begrenzung der Anzahl der gleichzeitig verwendeten Geräte. Lesen und befolgen Sie die nachstehenden einfachen Ratschläge, um Ihre Umgebung möglichst wenig zu stören.

1. Lösen Sie am Boden feststehenden Unrat mit Hilfe einer Harke oder eines Besens.
2. Ecken reinigen Sie am besten, indem Sie sich von der Ecke nach außen bewegen. Dadurch vermeiden Sie, dass Ihnen Schmutzansammlungen ins Gesicht geweht werden.
3. Geben Sie beim Betrieb des Laubblasgeräts immer möglichst wenig Gas. Es ist nur selten notwendig, mit Vollgas/voller Geschwindigkeit zu arbeiten. Viele Arbeiten können mit Halbgas/halber Geschwindigkeit ausgeführt werden. Weniger Gas/Geschwindigkeit macht nicht nur weniger Lärm, es wird auch weniger Staub aufgewirbelt. Zudem hat man eine bessere Kontrolle über das Material, das zusammen- oder weggeblasen werden soll.
4. Verringern Sie die Blaszeit durch leichtes Befeuchten staubiger Bereiche oder die Verwendung von Sprühhvorrichtungen.
5. Reduzieren Sie den Wasserverbrauch, indem Sie Laubblasgeräte anstelle von Wasserschläuchen für verschiedene Anwendungen auf dem Rasen und im Garten, wie z. B. Gitter, Siebe, Roste, Vordächer usw., verwenden.
6. Seien Sie vorsichtig, wenn Sie in der Nähe von Pflanzen arbeiten. Der starke Luftstrom kann zarte Pflanzen beschädigen.
7. Die Geschwindigkeit des Luftstrahls wird mithilfe des Gashebels geregelt. Die Geschwindigkeit an den jeweiligen Einsatzbereich anpassen.
8. Achten Sie auf die Windrichtung. Es ist einfacher, mit dem Wind zu arbeiten.
9. Das Laubblasgerät sollte nicht zum Verlagern großer Laubhaufen benutzt werden, da dies sehr zeitaufwendig ist und unnötigen Lärm verursacht.
10. Nehmen Sie eine sichere Arbeitsstellung mit festem Stand ein.
11. Sorgen Sie für ausreichend Abstand zwischen dem Rohr und dem Boden, wenn Sie mit dem Gerät arbeiten, um zu verhindern, dass das Gerät den Boden berührt.
12. Hinterlassen Sie Ihren Arbeitsbereich sauber. Vergewissern Sie sich, dass Sie keinen Unrat auf fremde Grundstücke geblasen haben. Entsorgen Sie Abfälle in einem entsprechenden Abfallbehälter.
13. Nach Beendigung der Arbeit ist das Gerät liegend aufzubewahren.

Wartung

Einleitung

Nachstehend folgen einige allgemeine Wartungsanweisungen. Sollten Sie weitere Informationen brauchen, wenden Sie sich bitte an Ihre Servicewerkstatt.

So warten Sie das Anbaugerät täglich



WARNUNG: Stellen Sie stets den Motor ab, bevor Sie Wartungsarbeiten am Anbaugerät ausführen. Wenn Ihr Gerät mit Benzin betrieben wird, ziehen Sie das Zündkabel von der Zündkerze ab. Wenn Ihr Gerät mit einem Akku betrieben wird, nehmen Sie den Akku heraus.

2. Stellen Sie sicher, dass das gesamte Gehäuse keine Risse aufweist.
3. Stellen Sie sicher, dass das Gerät in einwandfreiem Arbeitszustand ist.
4. Stellen Sie sicher, dass alle Muttern und Schrauben fest angezogen sind.
5. Reinigen Sie die Aufkleber mit einem feuchten Lappen und einem milden Reinigungsmittel.

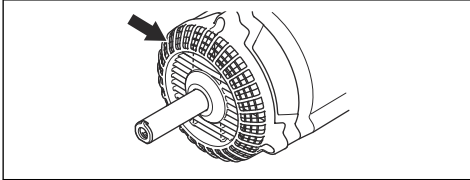


WARNUNG: Halten Sie alle Körperteile von heißen Oberflächen fern.

1. Reinigen Sie die Außenseite des Gebläses.

So überprüfen Sie das Lufteinlassgitter

1. Stellen Sie sicher, dass der Lufteinlass auf allen Seiten, einschließlich der Unterseite, nicht von z. B. Laub oder Schmutz blockiert wird. Ein verstopfter Lufteinlass reduziert die Blasleistung des Geräts und erhöht die Betriebstemperatur des Motors, was ein Motorversagen zur Folge haben kann. Stellen Sie den Motor ab, und entfernen Sie Fremdkörper.



Transport, Lagerung und Entsorgung

Transport und Aufbewahrung

Gehen Sie nach jedem Gebrauch wie folgt vor:

- Lassen Sie das Gerät vor dem Aufbewahren oder Transportieren abkühlen.
- Bewahren Sie es an einem ausreichend geräumigen, kühlen und trockenen Ort außerhalb der Reichweite von Kindern auf.

AUSSERBETRIEBNAHME BEI SAISONENDE

Bereiten Sie das Gerät bei Saisonende bzw., wenn Sie es länger als 30 Tage nicht verwenden, wie folgt für die Außerbetriebnahme vor. Falls Sie das Laubgebläse über längere Zeit außer Betrieb nehmen möchten:

- Reinigen Sie das Gerät.

- Untersuchen Sie das Gerät auf gelockerte oder schadhafte Bauteile. Ziehen Sie alle gelockerten Schrauben fest.
- Ersetzen Sie alle schadhafte, verschlissenen oder defekten Bauteile.
- Verwenden Sie bei Beginn der nächsten Saison nur frisches Zweitaktgemisch im vorgeschriebenen Benzin-Öl-Verhältnis.

Entsorgung

- Befolgen Sie die örtlichen Recyclinganforderungen und geltenden Vorschriften.
- Wenn Sie das Produkt nicht mehr benutzen, schicken Sie es an einen Husqvarna-Händler, oder entsorgen Sie es in einer Wiederverwertungsanlage.

Technische Angaben

Technische Daten für benzinbetriebene Geräte

BA101	
Gewicht	
Gewicht, kg	1,9
Geräuschemissionen	
Schalleistungspegel, gemessen dB (A)	111
Schalleistungspegel, garantiert L_{WA} dB (A)	114
Schallpegel ²⁹	

²⁹ Der äquivalente Schalldruckwert wird berechnet für einen Arbeitsablauf, der zu 1/7 im Leerlauf und zu 6/7 mit normaler Drehzahl erfolgt. Berichten zufolge liegt der Schalldruckpegel für dieses Gerät normalerweise bei einer Ausbreitungsklasse (Standardabweichung) von 1 dB (A).

BA101	
Äquivalenter Schalldruckpegel am Ohr des Bedieners, gemessen gem. EN 15503, dB (A):	99
Vibrationspegel ³⁰	
Äquivalente Vibrationspegel ($a_{Hv,eq}$) an den Griffen, gemessen nach EN 15503, m/s^2	
Vorderer/hinterer Griff:	5,6/8,3
Gebälseleistung ³¹	
Maximale Luftgeschwindigkeit mit Standarddüse, m/s:	46
Luftstrom mit Standardmundstück, m^3/min	14

Technische Daten für akkubetriebene Geräte

325iLK + Blower attachment BA101	
Gewicht	
Gewicht, kg	2,3 +1,9
Geräuschemissionen ³²	
Schallleistungspegel, gemessen dB (A)	103
Schallleistungspegel, garantiert L_{WA} dB (A)	106
Schallpegel ³³	
Schalldruckpegel am Ohr des Bedieners, gemessen gemäß ISO 26868, dB (A)	
Ausgestattet mit zugelassenem Zubehör (Original), dB (A)	93
Vibrationspegel ³⁴	
Vibrationspegel an den Griffen, gemessen nach EN 62841-1, m/s^2	
Ausgestattet mit zugelassenem Zubehör (Original), links/rechts m/s	1,6/1,1
Gebälseleistung ³⁵	

³⁰ Der äquivalente Vibrationswert wird berechnet für einen Arbeitsablauf, der zu 1/7 im Leerlauf und zu 6/7 mit normaler Drehzahl erfolgt. Berichten zufolge liegt der äquivalente Vibrationspegel normalerweise bei einer Ausbreitungsklasse (Standardabweichung) von $1 m/s^2$.

³¹ Zusammen mit der Motoreinheit 525iLK/GC2225C.

³² Umweltbelastende Geräuschemissionen, gemessen als Schallleistung (L_{WA}) gemäß EG-Richtlinie 2000/14/EG. Der aufgezeichnete Schallleistungspegel für das Gerät wurde unter Verwendung der originalen Schneidausrüstung mit dem höchsten Pegel gemessen. Der Unterschied zwischen garantiertem und gemessenem Schallleistungspegel besteht darin, dass beim garantierten Schallleistungspegel auch eine Streuung im Messergebnis und Variationen zwischen verschiedenen Geräten desselben Modells gemäß der Richtlinie 2000/14/EG berücksichtigt werden.

³³ Berichten zufolge liegt der Schalldruckpegel für dieses Gerät normalerweise bei einer Ausbreitungsklasse (Standardabweichung) von 3 dB (A) und wurde mit dem Original-Anbaugerät, das den höchsten Pegel ergibt, geprüft. Zusammen mit der Motoreinheit 325iLK gemessen.

³⁴ Berichten zufolge liegt der Vibrationspegel normalerweise bei einer Ausbreitungsklasse (Standardabweichung) von $2 m/s^2$. Verwenden Sie zum Vergleich von Vibrationspegeln, Akku- und Verbrennungsgeräten den Vibrationsrechner: <https://www.husqvarna.com/de/serviceangebote/vibrationswert-rechner/>. Zusammen mit der Motoreinheit 325iLK gemessen.

³⁵ Zusammen mit der Motoreinheit 325iLK gemessen.

325iLK + Blower attachment BA101	
Luftstrahl im Normalmodus mit Standarddüse, m ³ /min	14
Maximale Luftgeschwindigkeit im Normalmodus mit Standarddüse, m/s	45

Konformitätserklärung

EU-Konformitätserklärung

Die **Husqvarna AB**, SE-561 82 Huskvarna, Schweden,
Tel.: +46-36-146500, erklärt in alleiniger Verantwortung,
dass das Gerät:

Beschreibung	Laubblasgerätaufsatz
Marke	Husqvarna
Typ/Modell	BA101
Identifizierung	Seriennummern ab 2022

die folgenden EU-Richtlinien und -Verordnungen erfüllt:

Verordnung	Beschreibung
2006/42/EG	„Maschinenrichtlinie“
2000/14/EG	„über umweltbelastende Geräuschemissionen von zur Verwendung im Freien vorgesehenen Geräten und Maschinen“
2011/65/EU	„zur Beschränkung der Verwendung bestimmter gefährlicher Stoffe in Elektro- und Elektronikgeräten“

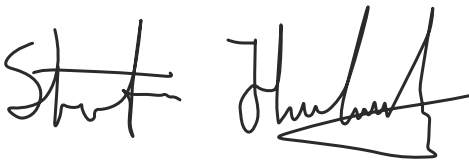
und dass die folgenden Normen und/oder technischen
Daten angewendet werden: EN 15503:2009+A2:2015,
EN ISO 12100:2021, EN IEC 63000:2018.

SMP Svensk Maskinprovning AB, Box 4053, SE-904 03
Umeå, Sweden hat eine freiwillige Baumusterprüfung
gemäß Anhang IX der Richtlinie 2006/42/EG
durchlaufen.

Certificate number: SEC/15/2416 – Husqvarna BA101.

Informationen zu Geräuschemissionen finden Sie unter
Technische Angaben auf Seite 48.

Huskvarna, 2022-05-09



Stefan Holmberg, R&D Director, Technology
Management, Husqvarna AB

Verantwortlich für die technische Dokumentation



EU-Konformitätserklärung

Die **Husqvarna AB**, SE-561 82 Huskvarna, Schweden,
Tel.: +46-36-146500, erklärt in alleiniger Verantwortung,
dass das Gerät:

Beschreibung	Laubblasgerätaufsatz mit Aggregat Husqvarna325iLK
Marke	Husqvarna
Typ/Modell	BA101
Identifizierung	Seriennummern ab 2022

die folgenden EU-Richtlinien und -Verordnungen erfüllt:

Verordnung	Beschreibung
2006/42/EG	„Maschinenrichtlinie“
2000/14/EG	„über umweltbelastende Geräuschemissionen von zur Verwendung im Freien vorgesehenen Geräten und Maschinen“
2011/65/EU	„zur Beschränkung der Verwendung bestimmter gefährlicher Stoffe in Elektro- und Elektronikgeräten“

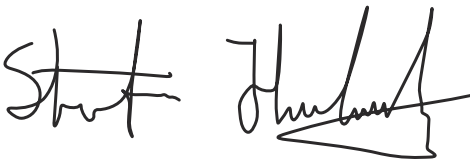
und dass die folgenden Normen und/oder technischen Daten angewendet werden: IEC 62841-4-6, EN ISO 12100:2021, EN IEC 63000:2018.

SMP Svensk Maskinprovning AB, Box 4053, SE-904 03 Umeå, Sweden hat eine freiwillige Baumusterprüfung gemäß Anhang IX der Richtlinie 2006/42/EG durchlaufen. Certificate number: SEC/15/2416 – Husqvarna BA101.

SMP Svensk Maskinprovning AB hat auch die Übereinstimmung mit Anhang V der Richtlinie 2000/14/EG bestätigt. Certificate number: 01/012/014.

Informationen zu Geräuschemissionen finden Sie unter *Technische Angaben auf Seite 48*.

Huskvarna, 2022-05-09



Stefan Holmberg, R&D Director, Technology Management, Husqvarna AB

Verantwortlich für die technische Dokumentation



Περιεχόμενα

Εισαγωγή.....	53	Μεταφορά, αποθήκευση και απόρριψη.....	59
Ασφάλεια.....	54	Τεχνικά στοιχεία.....	59
Λειτουργία.....	58	Δήλωση Συμμόρφωσης.....	62
Συντήρηση.....	58		

Εισαγωγή

Περιγραφή προϊόντος

Εφαρμόζουμε μια πολιτική συνεχούς ανάπτυξης προϊόντων και, συνεπώς, διατηρούμε το δικαίωμα να προβούμε σε τροποποιήσεις στο σχεδιασμό και την εμφάνιση των προϊόντων χωρίς προειδοποίηση.

Περιεχόμενα Αυτό το εγχειρίδιο καλύπτει τις μονάδες παροχής ισχύος που λειτουργούν με βενζίνη και μπαταρία.

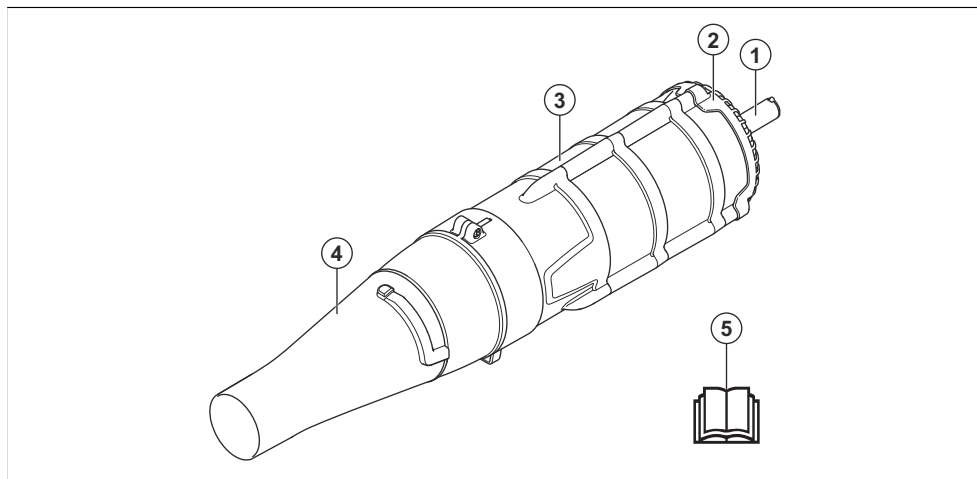
Προβλεπόμενη χρήση



ΠΡΟΕΙΔΟΠΟΙΗΣΗ: Αυτό το εξάρτημα επιτρέπεται να χρησιμοποιείται μόνο σε συνδυασμό με την προβλεπόμενη μονάδα παροχής ισχύος. Ανατρέξτε στο κεφάλαιο για τα εξαρτήματα στο Εγχειρίδιο χρήσης της μονάδας παροχής ισχύος.

Το εξάρτημα είναι σχεδιασμένο μόνο για τον καθαρισμό επιφανειών με γρασίδι, μονοπατιών, ασφαλτοστρωμένων δρόμων και παρόμοιων επιφανειών με εκφύσηση αέρα.

Επισκόπηση παρελκόμενου



1. Αξονας
2. Σήτα εισαγωγής αέρα
3. Περιβλημα φτερωτής
4. Ακροφύσιο αέρα
5. Εγχειρίδιο χρήσης

Σύμβολα στο εξάρτημα και στη μονάδα παροχής ισχύος



Η απρόσεκτη ή λανθασμένη χρήση αυτού του εξαρτήματος μπορεί να προκαλέσει σοβαρό ή θανατηφόρο τραυματισμό στον χειριστή ή σε άλλα άτομα.



Διαβάστε το εγχειρίδιο χρήσης προσεκτικά και βεβαιωθείτε ότι έχετε κατανοήσει τις οδηγίες προτού χρησιμοποιήσετε το εξάρτημα.



Αυτό το εξάρτημα συμμορφώνεται με τις ισχύουσες οδηγίες ΕΚ.



Πρέπει να χρησιμοποιείτε εγκεκριμένα μέσα προστασίας της ακοής, των ματιών και της αναπνοής.



Χρησιμοποιείτε εγκεκριμένα προστατευτικά γάντια.



Ετικέτα εκπομπών θορύβου στο περιβάλλον σύμφωνα με οδηγίες και κανονισμούς της ΕΕ και του Η.Β. και τη νομοθεσία της Νότιας Νέας Ουαλίας "Κανονισμός για την προστασία των περιβαλλοντικών δράσεων (έλεγχος θορύβου) του 2017". Η εγγυημένη στάθμη ηχητικής ισχύος του προϊόντος καθορίζεται στην ενότητα *Τεχνικά στοιχεία* στη *σελίδα 59* και στην ετικέτα.



Ο χειριστής του φυσητήρα πρέπει να εξασφαλίζει ότι δεν προσεγγίζει το μηχάνημα πρόσωπα ή ζώα σε απόσταση μικρότερη των 15 μέτρων. Όταν εργάζονται πολλοί χειριστές στην ίδια τοποθεσία, πρέπει να τηρούν μια απόσταση ασφαλείας τουλάχιστον 15 μέτρων μεταξύ τους. Ο φυσητήρας μπορεί να εκσφενδονίσει αντικείμενα με μεγάλη δύναμη, τα οποία μπορούν να αναπηδήσουν προς τα πίσω. Αυτό μπορεί να έχει ως αποτέλεσμα σοβαρό τραυματισμό των ματιών, αν δεν χρησιμοποιηθεί ο συνιστώμενος εξοπλισμός ασφαλείας.

Περιεχόμενα Άλλα σύμβολα/σήματα που υπάρχουν στο εξάρτημα αφορούν ειδικές απαιτήσεις πιστοποίησης για συγκεκριμένες αγορές.

Ασφάλεια

Ορισμοί για την ασφάλεια

Για την επισήμανση ειδικών σημαντικών τμημάτων του εγχειριδίου χρήσης χρησιμοποιούνται προειδοποιήσεις, συστάσεις προσοχής και σημειώσεις.



ΠΡΟΕΙΔΟΠΟΙΗΣΗ: Χρησιμοποιείται όταν υπάρχει κίνδυνος τραυματισμού ή θανάτου του χειριστή ή άλλων παριστάμενων ατόμων, αν δεν τηρηθούν οι οδηγίες που παρέχονται στο εγχειρίδιο.



ΠΡΟΣΟΧΗ: Χρησιμοποιείται όταν υπάρχει κίνδυνος πρόκλησης ζημιάς στο προϊόν ή/και στο παρελκόμενο, σε άλλα υλικά ή στον παρακείμενο χώρο, αν δεν τηρηθούν οι οδηγίες που παρέχονται στο εγχειρίδιο.

Περιεχόμενα Χρησιμοποιείται για παροχή περισσότερων πληροφοριών, οι οποίες χρειάζονται σε μια δεδομένη κατάσταση.

Προειδοποιήσεις ασφαλείας για φυσητήρες κήπου, αναρροφητήρες κήπου και φυσητήρες/αναρροφητήρες κήπου

- **Πριν από τη χρήση, ελέγξτε το καλώδιο τροφοδοσίας και επέκτασης για σημάδια ζημιάς ή παλαιότητας.** Μην αγγίζετε το καλώδιο προτού αποσυνδέσετε την τροφοδοσία. Μην χρησιμοποιείτε το μηχάνημα αν το καλώδιο έχει καταστραφεί ή φθαρεί. Αν το καλώδιο τροφοδοσίας έχει υποστεί ζημιά, μπορεί να προκληθεί ηλεκτροπληξία, πυρκαγιά ή/και σοβαρός τραυματισμός.
- **Μην χρησιμοποιείτε το μηχάνημα σε κακές καιρικές συνθήκες, ιδιαίτερα όταν υπάρχει κίνδυνος κεραυνού.** Έτσι μειώνεται ο κίνδυνος να σας χτυπήσει κεραυνός.
- **Να χρησιμοποιείτε πάντα προστατευτικά γυαλιά και προστατευτικά ακοής.** Ο επαρκής εξοπλισμός προστασίας θα μειώσει τον κίνδυνο τραυματισμού.
- **Κατά τη λειτουργία του μηχανήματος, φοράτε πάντα αντολισθητικά και προστατευτικά παπούτσια.** Μην χρησιμοποιείτε το μηχάνημα με γυμνό πόδι ή

φορώντας σανδάλια. Αυτό μειώνει τον κίνδυνο τραυματισμού στα πόδια.

- **Μην φοράτε φαρδιά ρούχα ή προϊόντα όπως κασκόλ, κορδόνια, αλυσίδες, γραβάτες κ.λπ., που θα μπορούσαν να αναρροφηθούν στις εισόδους αέρα. Δείτε ή καλύψτε τα μακριά μαλλιά για να βεβαιωθείτε ότι δεν θα αναρροφηθούν στις εισόδους αέρα.** Αν κάποιο από αυτά τα αντικείμενα αναρροφηθεί στις εισόδους αέρα, μπορεί να αυξηθεί ο κίνδυνος τραυματισμού.
- **Απομακρύνετε τυχόν παριστάμενα άτομα κατά τη λειτουργία του μηχανήματος.** Τα υπολείμματα που πέφτουν μπορούν να αυξήσουν τον κίνδυνο τραυματισμού.
- **Μην στρέφετε ποτέ το ακροφύσιο του φυσητήρα φύλλων προς την κατεύθυνση ανθρώπων ή κατοικίδιων ή προς την κατεύθυνση παραθύρων. Να είστε ιδιαίτερα προσεκτικοί όταν φυσάτε υπολείμματα κοντά σε συμπαγή αντικείμενα, όπως δέντρα, αυτοκίνητα και τοίχους, τα οποία μπορούν να προκαλέσουν τον εξοστρακισμό των υπολειμμάτων.** Τα υπολείμματα που πέφτουν μπορούν να προκαλέσουν υλικές ζημιές και να αυξήσουν τον κίνδυνο τραυματισμού.
- **Μην χρησιμοποιείτε το μηχάνημα για να φυσήξετε οπδήποτε καίγεται ή βγάζει καπνό, όπως τσιγάρα, σπίρτα ή καυτή στάχτη.** Αυτές οι πηγές ανάφλεξης μπορεί να αυξήσουν τον κίνδυνο πυρκαγιάς.
- **Μην αγγίζετε τον ανεμιστήρα ενώ κινείται. Απενεργοποιήστε το μηχάνημα και περιμένετε μέχρι να σταματήσει ο ανεμιστήρας πριν να αφαιρέσετε οποιοδήποτε εξάρτημα που μπορεί να παρέχει πρόσβαση στον ανεμιστήρα.** Αυτό μειώνει τον κίνδυνο τραυματισμού από κινούμενα μέρη.
- **Κατά την αφαίρεση μπλοκαρισμένου υλικού ή τη συντήρηση του μηχανήματος, βεβαιωθείτε ότι ο διακόπτης λειτουργίας είναι στη θέση απενεργοποίησης.** Η μη αναμενόμενη εκκίνηση του μηχανήματος όταν απομακρύνετε υλικά που μπλοκάρουν τη λειτουργία του ή όταν το συντηρείτε μπορεί να οδηγήσει σε σοβαρό τραυματισμό.

Γενικές οδηγίες ασφαλείας



ΠΡΟΕΙΔΟΠΟΙΗΣΗ: Προτού χρησιμοποιήσετε το εξάρτημα, διαβάστε τις παρακάτω οδηγίες ασφαλείας.

- Διαβάστε το εγχειρίδιο χρήσης προσεκτικά και βεβαιωθείτε ότι έχετε κατανοήσει τις οδηγίες προτού χρησιμοποιήσετε το εξάρτημα.
- Για μια ολοκληρωμένη εικόνα των πληροφοριών για τον χρήστη, πρέπει να διαβάσετε το Εγχειρίδιο χρήσης σε συνδυασμό με το Εγχειρίδιο χρήσης της μονάδας παροχής ισχύος.
- Δεν επιτρέπονται, σε καμία περίπτωση, τροποποιήσεις στη σχεδίαση του εξαρτήματος χωρίς την έγκριση του κατασκευαστή. Μην χρησιμοποιείτε εξάρτηματα που φαίνεται ότι έχουν τροποποιηθεί από άλλους. Φροντίστε να χρησιμοποιείτε πάντα

γνήσια αξεσουάρ. Η μη εξουσιοδοτημένη εκτέλεση τροποποιήσεων ή/και η χρήση μη γνήσιων αξεσουάρ μπορεί να οδηγήσει σε σοβαρό προσωπικό τραυματισμό ή θάνατο του χειριστή ή άλλων ατόμων.

Οδηγίες ασφαλείας για τη λειτουργία



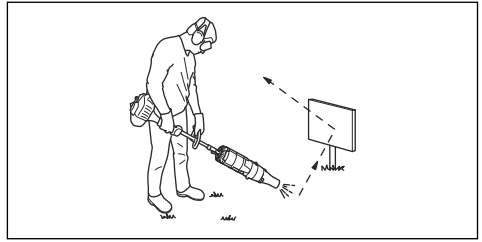
ΠΡΟΕΙΔΟΠΟΙΗΣΗ: Προτού χρησιμοποιήσετε το προϊόν, διαβάστε τις παρακάτω προειδοποιητικές οδηγίες.



ΠΡΟΕΙΔΟΠΟΙΗΣΗ: Αυτό το προϊόν παράγει ηλεκτρομαγνητικό πεδίο κατά τη λειτουργία του. Το πεδίο αυτό, υπό ορισμένες συνθήκες, μπορεί να προκαλέσει παρεμβολές σε ενεργά ή παθητικά ιατρικά εμφυτεύματα. Προκειμένου να μειωθεί ο κίνδυνος παθήσεων που μπορεί να προκαλέσουν τραυματισμό ή θάνατο, συνιστούμε στα άτομα με ιατρικά εμφυτεύματα να συμβουλευτούν το θεράποντα ιατρό τους και τον κατασκευαστή του ιατρικού εμφυτεύματος, πριν να θέσουν το προϊόν σε λειτουργία.

- Δεν πρέπει να χρησιμοποιείτε ποτέ το προϊόν αν είστε κουρασμένοι, εάν είστε άρρωστοι, εάν έχετε καταναλώσει αλκοόλ ή ναρκωτικές ουσίες ή αν λαμβάνετε φάρμακα που μπορεί να επηρεάσουν την όρασή σας, την κρίση σας ή τον συντονισμό των κινήσεών σας.
- Μην χρησιμοποιείτε ποτέ το προϊόν εάν παρουσιάζει πρόβλημα.
- Όλα τα καλύμματα και τα προστατευτικά πρέπει να είναι τοποθετημένα στο μηχάνημα πριν το θέσετε σε λειτουργία. Αν το προϊόν που διαθέτετε είναι βενζινοκίνητο, βεβαιωθείτε ότι το καπάκι του μπουζι και το καλώδιο ανάφλεξης δεν έχουν υποστεί ζημία, ώστε να αποφύγετε τον κίνδυνο ηλεκτροπληξίας.
- Ο χειριστής του φυσητήρα πρέπει να εξασφαλίζει ότι δεν προσεγγίζουν το μηχάνημα πρόσωπα ή ζώα σε απόσταση μικρότερη των 15 μέτρων. Όταν εργάζονται πολλοί χειριστές στην ίδια τοποθεσία, πρέπει να τηρούν μια απόσταση ασφαλείας τουλάχιστον 15 μέτρων μεταξύ τους.
- Μην επιτρέπετε ποτέ σε παιδιά να χρησιμοποιούν το προϊόν.
- Μην επιτρέπετε ποτέ σε άλλα άτομα να χρησιμοποιούν το προϊόν χωρίς να έχετε προηγουμένως διασφαλίσει ότι έχουν διαβάσει και κατανοήσει το περιεχόμενο του εγχειριδίου χρήσης.
- Δεν πρέπει ποτέ να αφαιρείτε τη σήτα εισαγωγής αέρα.
- Ποτέ μην αγγίζετε το μπουζί ή το καλώδιο ανάφλεξης, ενώ ο κινητήρας είναι σε λειτουργία. Μπορεί να προκληθεί ηλεκτροπληξία από την επαφή με το μπουζί ή τη φίστα.

- Πρέπει πάντα να συμβουλευέστε τις τοπικές αρχές και να βεβαιώνετε ότι ακολουθείτε τις ισχύουσες οδηγίες.
- Μην πλησιάζετε οποιοδήποτε μέλος του σώματός σας σε καυτές επιφάνειες.
- Εάν προκύψει μια κατάσταση όπου δεν είστε σίγουροι για το πώς πρέπει να προχωρήσετε, θα πρέπει να ζητήσετε τη συμβουλή ειδικού. Επικοινωνήστε με τον αντιπρόσωπο ή το συνεργείο σας. Αποφεύγετε τις καταστάσεις χρήσης, τις οποίες θεωρείτε πέραν των δυνατοτήτων σας.
- Διατηρείτε το άνοιγμα του φυσητήρα όσο το δυνατόν πιο κοντά στο έδαφος. Πρέπει να χρησιμοποιείτε ολόκληρο το μήκος του σωλήνα του φυσητήρα για να διατηρείτε το ρεύμα αέρα κοντά στο έδαφος.
- Φροντίστε να χρησιμοποιείτε το μηχανήμα στη διάρκεια των κανονικών ωρών εργασίας, για να αποφύγετε την πρόκληση ανεπιθύμητης ενόχλησης. Αποφύγετε την εργασία νωρίς το πρωί ή αργά τη νύχτα.
- Επιδείξτε προσοχή στο περιβάλλον σας. Αν πλησιάσει οποιοσδήποτε στην περιοχή εργασίας σας, απελευθερώστε το γκάζι/τη σκανδάλη γκαζιού, μέχρι αυτό το πρόσωπο να απομακρυνθεί σε ασφαλή απόσταση. Μην κατευθύνετε τον φυσητήρα σε ανθρώπους, ζώα, περιοχές παιχνιδιού, ανοιχτά παράθυρα, αυτοκίνητα κ.λπ. Η δύναμη του αέρα μπορεί να προκαλέσει την εκτόξευση ή τον εξοστρακισμό πετρών, χωμάτων ή κομματιών ξύλου, με αποτέλεσμα να προκληθούν τραυματισμοί σε ανθρώπους ή ζώα, θραύσεις τζαμιών ή άλλες ζημιές.
- Ποτέ μην βάζετε τα χέρια ή άλλα αντικείμενα στο περιβλήμα του φυσητήρα για να αποφευχθεί σοβαρός τραυματισμός από την περιστρεφόμενη φτερωτή.
- Διατηρήστε την εξωτερική επιφάνεια καθαρή από λάδι και καύσιμο.
- Μην χρησιμοποιείτε ποτέ το μηχανήμα για τη διανομή χημικών, λιπασμάτων ή άλλων ουσιών οι οποίες μπορεί να περιέχουν τοξικά υλικά.
- Για να αποφύγετε την εξάπλωση της φωτιάς, μην χρησιμοποιείτε το προϊόν κοντά σε φύλλα ή θάμνους που καίγονται, σε τζάκια, σε εστίες μάρμπεκιο, σε σταχοδοχεία κ.λπ.
- Δεν πρέπει ποτέ να καταβρέχετε ή να εκπνιάσετε νερό ή άλλο υγρό πάνω στο εξάρτημα.
- Πρέπει πάντα να κρατάτε το μηχανήμα και με τα δύο χέρια. Φροντίστε να κρατάτε το μηχανήμα πλάι στο σώμα σας.
- Αν το προϊόν που διαθέτετε είναι βενζινοκίνητο, πρέπει να αφήνετε τον κινητήρα να κρυώσει πριν από τον ανεφοδιασμό με καύσιμο.
- Τα ισχυρά ρεύματα αέρα μπορεί να μετακινήσουν αντικείμενα με τόσο μεγάλη ταχύτητα, ώστε να αναπηδήσουν και να προκαλέσουν σοβαρό τραυματισμό στα μάτια.

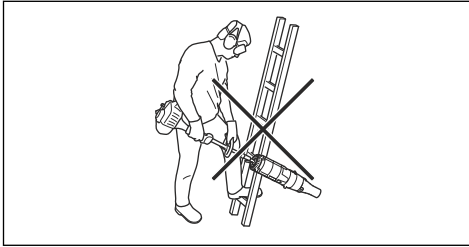


- Προτού συναρμολογήσετε ή αποσυναρμολογήσετε αξεσουάρ ή άλλα εξαρτήματα, πρέπει να σβήνετε τον κινητήρα/το μοτέρ.
- Μην χρησιμοποιείτε το προϊόν όταν επικρατούν κακές καιρικές συνθήκες, για παράδειγμα πυκνή ομίχλη, δυνατή βροχή, ισχυροί άνεμοι, έντονο κρύο κ.λπ. Η εργασία σε κακές καιρικές συνθήκες είναι κουραστική και μπορεί να δημιουργήσει επικίνδυνες καταστάσεις π.χ. ολισθηρές επιφάνειες.
- Βεβαιωθείτε ότι μπορείτε να κινηθείτε και να σταθείτε όρθιοι με ασφάλεια. Ελέγξτε την περιοχή γύρω σας για πιθανά εμπόδια (ρίζες, βράχια, κλαδιά, χαντάκια κ.λπ.) σε περίπτωση που χρειαστεί να μετακινήσετε ξαφνικά. Να είστε ιδιαίτερα προσεκτικοί όταν εργάζεστε σε έδαφος με κλίση.



- Μην τοποθετείτε ποτέ το προϊόν κάτω όταν ο κινητήρας/το μοτέρ είναι σε λειτουργία, παρά μόνο εάν είστε σε θέση να το παρακολουθείτε καλά.
- Αν το προϊόν που διαθέτετε είναι βενζινοκίνητο, πρέπει να θυμάστε ότι τα καυσάερα του κινητήρα περιέχουν μονοξειδίο του άνθρακα, το οποίο μπορεί να προκαλέσει δηλητηρίαση. Γι' αυτόν το λόγο, δεν πρέπει να εκκινείτε ή να χρησιμοποιείτε το προϊόν σε εσωτερικούς χώρους ή σε οποιοδήποτε ανεπαρκώς εξαερισζόμενο χώρο.
- Ο φυσητήρας δεν πρέπει να χρησιμοποιείται ενώ βρίσκεστε σε σκάλα, σκαλωσιά ή σε ψηλά σημεία

(όπως οροφές). Μια τέτοια εργασία μπορεί να οδηγήσει σε σοβαρό τραυματισμό.



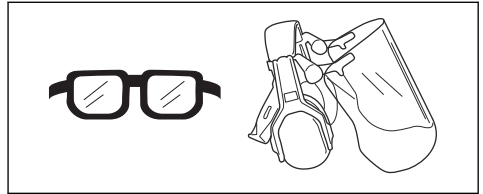
- Μην χρησιμοποιείτε το προϊόν παρά μόνο όταν έχετε τη δυνατότητα να καλέσετε σε βοήθεια σε περίπτωση ατυχήματος.
- Μην τοποθετείτε ποτέ αντικείμενα στο άνοιγμα εισαγωγής αέρα διότι μπορεί να περιορίσουν τη ροή του αέρα και να προκαλέσουν ζημιά στη συσκευή.
- Βεβαιωθείτε ότι το μηχάνημα δεν προσκρούει σε φράχτες, δέντρα ή άλλα σκληρά υλικά. Σε αυτήν την περίπτωση μπορεί να προκληθεί ζημιά στο μηχάνημα και σοβαρός τραυματισμός.
- Επιδείξτε προσοχή στην ακρόαση προειδοποιητικών σημάτων ή κραυγών κατά τη χρήση προστατευτικών ακοής. Αφαιρείτε πάντα τα προστατευτικά ακοής μόλις σβήσει το μοτέρ.

Εξοπλισμός ατομικής προστασίας

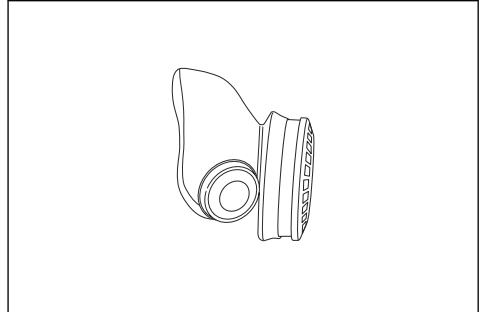


ΠΡΟΕΙΔΟΠΟΙΗΣΗ: Προτού χρησιμοποιήσετε το προϊόν, διαβάστε τις παρακάτω προειδοποιητικές οδηγίες.

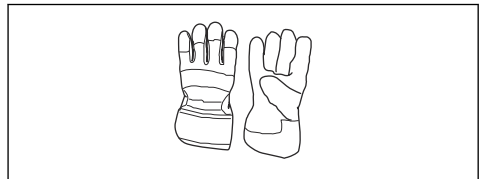
- Όταν χρησιμοποιείτε το προϊόν, να φοράτε πάντα εγκεκριμένο εξοπλισμό ατομικής προστασίας. Ο εξοπλισμός ατομικής προστασίας δεν μπορεί να εξαλείψει τον κίνδυνο τραυματισμών, ωστόσο μειώνει τη σοβαρότητά τους σε περίπτωση ατυχήματος. Ο αντιπρόσωπος θα σας βοηθήσει να επιλέξετε τον σωστό εξοπλισμό.
- Να χρησιμοποιείτε εγκεκριμένα προστατευτικά ακοής που παρέχουν επαρκή μείωση θορύβου. Η μακροχρόνια έκθεση στον θόρυβο μπορεί να προκαλέσει μόνιμη βλάβη στην ακοή.
- Χρησιμοποιείτε εγκεκριμένη προστασία ματιών. Εάν χρησιμοποιείτε προστατευτικό γείσο, πρέπει επίσης να χρησιμοποιείτε πάντα εγκεκριμένα γυαλιά προστασίας. Τα εγκεκριμένα προστατευτικά γυαλιά πρέπει να συμμορφώνονται με το πρότυπο ANSI Z87.1 στις Η.Π.Α. ή το πρότυπο EN 166 στις χώρες της Ε.Ε.



- Χρησιμοποιείτε μέσα προστασίας αναπνοής όταν υπάρχει κίνδυνος σκόνης.



- Όταν χρειάζεται, πρέπει να χρησιμοποιείτε γάντια, για παράδειγμα κατά τη σύνδεση, την επιθεώρηση ή τον καθαρισμό του εξοπλισμού.

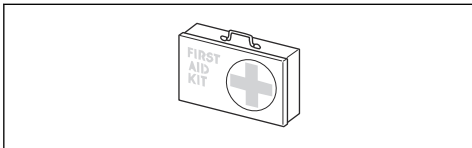


- Να χρησιμοποιείτε ανθεκτικές, αντιολισθητικές μπότες ή παπούτσια.



- Να φοράτε ρούχα από ανθεκτικό ύφασμα. Να φοράτε πάντα ανθεκτικό μακρύ παντελόνι και μακριά μανίκια. Να μην φοράτε φαρδιά ρούχα που μπορεί να πιαστούν σε κλωνάρια και κλαδιά. Να μην φοράτε κοσμήματα, κοντά παντελόνια, σανδάλια και να μην είστε ξυπόλυτοι. Να δένετε τα μαλλιά σας με ασφάλεια πάνω από το ύψος των ώμων.

- Να φροντίζετε να υπάρχει εξοπλισμός πρώτων βοηθειών σε κοντινή απόσταση.



Οδηγίες ασφαλείας για τη συντήρηση



ΠΡΟΕΙΔΟΠΟΙΗΣΗ: Προτού χρησιμοποιήσετε το προϊόν, διαβάστε τις παρακάτω προειδοποιητικές οδηγίες.

Πραγματοποιήστε γενική επιθεώρηση του προϊόντος πριν από τη χρήση. Ανατρέξτε στο πρόγραμμα συντήρησης.

Φροντίστε να εκτελείτε τη συντήρηση και να ακολουθείτε τις οδηγίες για το σέρβις που περιγράφονται στο παρόν εγχειρίδιο. Μερικά μέτρα συντήρησης και επισκευής πρέπει να εκτελούνται από εκπαιδευμένο και ειδικευμένο προσωπικό. Δείτε τις οδηγίες στην ενότητα με τίτλο Συντήρηση.

Προτού ξεκινήσετε τις εργασίες, πρέπει πάντα να βεβαιώνεστε ότι δεν υπάρχουν αντικείμενα που μπορεί να φράξουν τη σήτα εισαγωγής αέρα.

Για την αποφυγή ζημιάς λόγω πτώσης του προϊόντος, η συναρμολόγηση και αποσυναρμολόγηση θα πρέπει να εκτελούνται κοντά στην επιφάνεια του εδάφους.

Λειτουργία

Χρήση του παρελκόμενου

Περιεχόμενα Δείτε ότι νοιάζεστε για τα άτομα γύρω σας αποφεύγοντας τη χρήση του μηχανήματος σε ακατάλληλες ώρες, όπως αργά το βράδυ ή νωρίς το πρωί. Μειώστε τα επίπεδα θορύβου ελαττώνοντας τον αριθμό των μονάδων εξοπλισμού που χρησιμοποιούνται ταυτόχρονα. Διαβάστε καλά και ακολουθήστε αυτές τις απλές οδηγίες, ώστε να διαταράξετε το περιβάλλον γύρω σας όσο το δυνατόν λιγότερο.

1. Χρησιμοποιήστε τσουγκράνα ή βούρτσα για να αποδεσμεύσετε τα σκουπίδια που είναι κολλημένα στο έδαφος.
2. Καθαρίστε τις γωνίες ξεκινώντας από μέσα προς τα έξω. Με τον τρόπο αυτό, αποτρέπεται η συσσώρευση υπολειμμάτων που θα μπορούσαν να εκτοξευθούν στο πρόσωπό σας.
3. Χρησιμοποιήστε τον φυσητήρα με τη χαμηλότερη δυνατή ρύθμιση του γκαζιού/των στροφών. Σπανίως χρειάζεται να χρησιμοποιηθεί η μέγιστη ρύθμιση γκαζιού/στροφών και πολλές εργασίες μπορούν να εκτελεστούν με το γκάζι/τις στροφές στη μεσαία ρύθμιση. Η χαμηλότερη ρύθμιση του γκαζιού/των στροφών σημαίνει λιγότερο θόρυβο και λιγότερη σκόνη, ενώ επίσης διευκολύνει τον έλεγχο των σκουπιδιών που συγκεντρώνονται/μετακινούνται.
4. Ελαχιστοποιήστε το χρόνο χρήσης του φυσητήρα, υγραίνοντας ελαφρά τις σκονισμένες περιοχές ή χρησιμοποιώντας εξοπλισμό ψεκασμού.
5. Μειώστε την κατανάλωση νερού χρησιμοποιώντας φυσητήρες αντί για σωλήνες νερού για διάφορες εφαρμογές γύρω από το γρασιδί και τον κήπο, όπως πλέγματα, παραπετάσματα, γρίλιες, σκεπαστές εισόδους κ.λπ.
6. Απαιτείται προσοχή κατά την εκτέλεση εργασιών κοντά σε φυτά. Η δύναμη της ροής αέρα μπορεί να καταστρέψει ευαίσθητα φυτά.
7. Η ταχύτητα του εκτοξευόμενου αέρα ρυθμίζεται μέσω του γκαζιού/της σκανδάλης γκαζιού. Επιλέξτε τις κατάλληλες στροφές για την εκάστοτε εργασία.
8. Πρέπει να προσέχετε την κατεύθυνση του ανέμου. Οι εργασίες γίνονται πιο εύκολα προς την κατεύθυνση του ανέμου.
9. Η χρήση του φυσητήρα για μετακίνηση μεγάλων σωρών είναι χρονοβόρα και παράγει περιπτώ θορύβου.
10. Να διατηρείτε καλή ισορροπία και σταθερό πάτημα.
11. Όταν εργάζεστε με το προϊόν, διατηρήστε τον σωλήνα σε απόσταση από το έδαφος και φροντίστε να μην έρχεται σε επαφή με το έδαφος.
12. Πρέπει να καθαρίζετε την περιοχή μετά το τέλος της εργασίας. Φροντίστε να μην ωθείτε με τον αέρα τα σκουπίδια στον κήπο κάποιου άλλου. Απορρίψτε τα υπολείμματα σε κάδους απορριμμάτων.
13. Όταν ολοκληρωθεί η εργασία, θα πρέπει να αποθηκεύσετε το μηχανήμα σε οριζόντια θέση.

Συντήρηση

Εισαγωγή

Παρακάτω θα βρείτε ορισμένες γενικές οδηγίες συντήρησης. Εάν χρειαστείτε περισσότερες πληροφορίες, μπορείτε να επικοινωνήσετε με το συνεργείο της περιοχής σας.

Καθημερινή συντήρηση του εξαρτήματος



ΠΡΟΕΙΔΟΠΟΙΗΣΗ: Πρέπει πάντα να σβήνετε τον κινητήρα/το μοτέρ προτού καθαρίσετε το εξάρτημα ή προτού εκτελέσετε συντήρηση σε αυτό. Αν το προϊόν που διαθέτετε είναι βενζινοκίνητο, αποσυνδέστε το καλώδιο της ανάφλεξης από το μπουζί. Εάν διαθέτετε ένα προϊόν που λειτουργεί με μπαταρία, αφαιρέστε την μπαταρία.



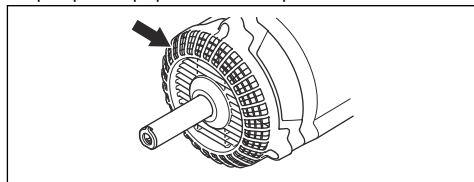
ΠΡΟΕΙΔΟΠΟΙΗΣΗ: Μην πλησιάζετε οποιοδήποτε μέλος του σώματός σας σε καυτές επιφάνειες.

1. Καθαρίζετε τις εξωτερικές επιφάνειες του φυσητήρα.
2. Βεβαιωθείτε ότι δεν υπάρχουν ρωγμές σε ολόκληρο το περίβλημα.
3. Βεβαιωθείτε ότι το προϊόν βρίσκεται σε άριστη κατάσταση λειτουργίας.

4. Βεβαιωθείτε ότι όλα τα παζιμάδια και οι βίδες είναι σφιγμένα.
5. Καθαρίστε τις επικέτες με ένα υγρό πανί και ένα ήπιο απορρυπαντικό.

Έλεγχος της σήτας εισαγωγής αέρα

1. Ελέγξτε ότι η είσοδος αέρα δεν φράσσεται σε καμία πλευρά της, συμπεριλαμβανομένης της κάτω πλευράς, για παράδειγμα, από φύλλα ή σκουπίδια. Αν η εισαγωγή αέρα φράξει, μειώνεται η δυνατότητα εκφύσησης αέρα του προϊόντος και αυξάνεται η θερμοκρασία λειτουργίας του κινητήρα/του μοτέρ. Η αυξημένη θερμοκρασία μπορεί να προκαλέσει βλάβη του κινητήρα/του μοτέρ. Σβήστε τον κινητήρα/το μοτέρ και αφαιρέστε το αντικείμενο.



Μεταφορά, αποθήκευση και απόρριψη

Μεταφορά και αποθήκευση

Εκτελέστε τα παρακάτω βήματα μετά από κάθε χρήση:

- Αφήστε να κρυώσει το εξάρτημα πριν την αποθήκευση ή τη μεταφορά.
- Αποθηκεύστε σε ψηλό, δροσερό, στεγνό, εσωτερικό χώρο μακριά από παιδιά.

ΕΠΟΧΙΑΚΗ ΑΠΟΘΗΚΕΥΣΗ

Προετοιμάστε το παρελκόμενο για αποθήκευση στο τέλος της σεζόν ή όταν δεν πρόκειται να χρησιμοποιηθεί για 30 ημέρες ή περισσότερο. Εάν πρόκειται το εξάρτημα φυσητήρα να αποθηκευτεί για κάποια χρονική περίοδο:

- Καθαρίστε τη μονάδα.
- Επιθεωρήστε το εξάρτημα για φθαρμένα ή χαλασμένα εξαρτήματα. Σφίξτε όποιες βίδες έχουν χαλαρώσει.

- Αντικαταστήστε τυχόν κατεστραμμένα, φθαρμένα ή σπασμένα εξαρτήματα.
- Στην αρχή της επόμενης σεζόν, χρησιμοποιήστε μόνο φρέσκο καύσιμο με τη σωστή αναλογία βενζίνης-λαδιού.

Απόρριψη

- Πρέπει να συμμορφώνεστε με τις τοπικές απαιτήσεις ανακύκλωσης και τους ισχύοντες κανονισμούς.
- Όταν το προϊόν δεν είναι πλέον σε χρήση, στείλτε το σε έναν αντιπρόσωπο Husqvarna ή απορρίψτε το σε μια τοποθεσία ανακύκλωσης.

Τεχνικά στοιχεία

Τεχνικά στοιχεία για τα προϊόντα με βενζινοκίνητη

BA101	
Βάρος	
Βάρος, κιλά	1,9
Εκπομπές θορύβου	
Στάθμη ηχητικής ισχύος, μετρούμενη τιμή σε dB (A)	111

BA101	
Στάθμη ηχητικής ισχύος, εγγυημένη L_{WA} dB (A)	114
Στάθμες ήχου ³⁶	
Ισοδύναμη στάθμη ηχητικής πίεσης στα αφτιά του χειριστή, μετρημένη κατά EN15503 dB(A)	99
Στάθμες κραδασμών ³⁷	
Ισοδύναμες στάθμες κραδασμών ($a_{hv,eq}$) στις λαβές, μετρημένες κατά EN 15503, m/s ²	
Μπροστινές/πίσω λαβές:	5,6/8,3
Απόδοση ανεμιστήρα ³⁸	
Μέγιστη ταχύτητα αέρα με τυπικό ακροφύσιο, m/s:	46
Παροχή αέρα με τυπικό ακροφύσιο, m ³ /min	14

Τεχνικά στοιχεία για τα προϊόντα που λειτουργούν με μπαταρία

325iLK + Blower attachment BA101	
Βάρος	
Βάρος, κιλά	2,3+1,9
Εκπομπές θορύβου ³⁹	
Στάθμη ηχητικής ισχύος, μετρούμενη τιμή σε dB (A)	103
Στάθμη ηχητικής ισχύος, εγγυημένη L_{WA} dB (A)	106
Στάθμες ήχου ⁴⁰	
Στάθμη ηχητικής πίεσης στα αφτιά του χειριστή, μετρημένη κατά ISO 26868 dB(A)	
Εξοπλισμένο με εγκεκριμένο (γνήσιο) εξάρτημα, dB (A)	93
Στάθμες κραδασμών ⁴¹	

³⁶ Η τιμή της ισοδύναμης στάθμης ηχητικής πίεσης υπολογίζεται με κύκλο εργασίας διάρκειας 1/7 στο ρελαντί και 6/7 σε υψηλές στροφές. Τα καταγεγραμμένα στοιχεία για την αντίστοιχη στάθμη ηχητικής πίεσης για το μηχανήμα έχουν μια τυπική στατιστική διασπορά (τυπική απόκλιση) της τάξης του 1 dB(A).

³⁷ Η τιμή της ισοδύναμης στάθμης κραδασμών υπολογίζεται με κύκλο εργασιών διάρκειας 1/7 για ρελαντί και 6/7 για υψηλές στροφές. Τα καταγεγραμμένα στοιχεία για την ισοδύναμη στάθμη δονήσεων έχουν τυπική στατιστική διασπορά (τυπική απόκλιση) 1 m/s².

³⁸ Μαζί με τη μονάδα κινητήρα 525LK/GC2225C.

³⁹ Οι εκπομπές θορύβου στο περιβάλλον μετρούνται ως ηχητική ισχύς (L_{WA}) σε συμμόρφωση με την Οδηγία 2000/14/ΕΚ. Η καταγεγραμμένη στάθμη θορύβου για το μηχανήμα έχει μετρηθεί με το γνήσιο εξάρτημα κοπής, που δίνει την υψηλότερη στάθμη. Η διαφορά μεταξύ της εγγυημένης και της μετρούμενης ηχητικής ισχύος είναι ότι η εγγυημένη ηχητική ισχύς περιλαμβάνει επίσης τη διασπορά στο αποτέλεσμα της μέτρησης και τις αποκλίσεις μεταξύ των διαφορετικών μηχανημάτων του ίδιου μοντέλου σύμφωνα με την Οδηγία 2000/14/ΕΚ.

⁴⁰ Τα καταγεγραμμένα στοιχεία για τη στάθμη ηχητικής πίεσης του μηχανήματος παρουσιάζουν τυπική στατιστική διασπορά (τυπική απόκλιση) 3 dB (A). Η μέτρηση έχει γίνει με το αρχικό εξάρτημα, το οποίο παρέχει την υψηλότερη στάθμη. Μετρημένη μαζί με τη μονάδα κινητήρα 325iLK.

⁴¹ Τα καταγεγραμμένα στοιχεία για τη στάθμη κραδασμών έχουν τυπική στατιστική διασπορά (τυπική απόκλιση) ίση με 2 m/s². Για σύγκριση της στάθμης κραδασμών στα προϊόντα με μπαταρία και με κινητήρα εσωτερικής καύσης, χρησιμοποιήστε τη σελίδα υπολογισμού κραδασμών. Ανατρέξτε στη διεύθυνση <https://www.husqvarna.com/uk/services-solutions/vibration-calculator/>. Μετρημένη μαζί με τη μονάδα κινητήρα 325iLK.

325iLK + Blower attachment BA101	
Επίπεδα κραδασμών στις λαβές, μετρημένα κατά EN 62841-1, m/s ²	
Εξοπλισμένο με εγκεκριμένο (γνήσιο) εξάρτημα, αριστερά/δεξιά m/s	1,6/1,1
Απόδοση ανεμιστήρα ⁴²	
Παροχή αέρα κατά την κανονική λειτουργία με στάνταρ ακροφύσιο, m ³ /min	14
Μέγιστη ταχύτητα αέρα στην κανονική λειτουργία με τυπικό ακροφύσιο, m/s:	45

⁴² Μετρημένη μαζί με τη μονάδα κινητήρα 325iLK.

Δήλωση Συμμόρφωσης

Δήλωση συμμόρφωσης ΕΕ

Εμείς, η **Husqvarna AB**, SE-561 82 Huskvarna, Σουηδία,
τηλ.: +46-36-146500, δηλώνουμε με αποκλειστική μας
ευθύνη ότι το προϊόν:

Περιγραφή	Εξάρτημα φυσητήρα
Μάρκα	Husqvarna
Τύπος / Μοντέλο	BA101
Αναγνώριση	Αριθμοί σειράς με ημερομηνία από το 2022 και έπειτα

συμμορφώνεται πλήρως με τις ακόλουθες οδηγίες και
τους κανονισμούς της ΕΕ:

Κανονισμός	Περιγραφή
2006/42/EK	"σχετικά με τα μηχανήματα"
2000/14/EK	"σχετικά με τις εκπομπές θορύβου στο περιβάλλον"
2011/65/EE	"σχετικά με τον περιορισμό της χρήσης ορισμένων επικίνδυνων ουσιών σε είδη ηλεκτρικού και ηλεκτρονικού εξοπλισμού"

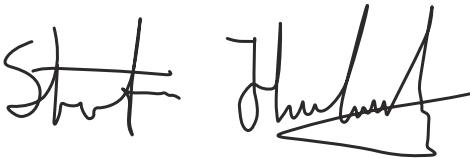
και ότι εφαρμόζονται τα παρακάτω πρότυπα ή/και
τεχνικές προδιαγραφές: EN 15503:2009+A2:2015, EN
ISO 12100:2021, EN IEC 63000:2018.

Η SMP Svensk Maskinprovning AB, Box 4053, SE-904
03 Umeå, Sweden έχει διεξαγάγει εθελοντικά εξέταση
τύπου σύμφωνα με το παράρτημα IX της οδηγίας
2006/42/EK.

Αριθμός πιστοποιητικού: SEC/15/2416 – Husqvarna
BA101.

Για πληροφορίες σχετικά με τις εκπομπές θορύβου,
ανατρέξτε στην ενότητα *Τεχνικά στοιχεία στη σελίδα 59*.

Huskvarna, 2022-05-09



Stefan Holmberg, Διευθυντής Έρευνας και Ανάπτυξης,
Διαχείριση τεχνολογίας, Husqvarna AB

Υπεύθυνος για την τεχνική τεκμηρίωση



Δήλωση συμμόρφωσης ΕΕ

Εμείς, η **Husqvarna AB**, SE-561 82 Huskvarna, Σουηδία,
τηλ.: +46-36-146500, δηλώνουμε με αποκλειστική μας
ευθύνη ότι το προϊόν:

Περιγραφή	Εξάρτημα φυσητήρα με μονάδα ισχύος Husqvarna325iLK
Μάρκα	Husqvarna
Τύπος / Μοντέλο	BA101
Αναγνώριση	Αριθμοί σειράς με ημερομηνία από το 2022 και έπειτα

συμμορφώνεται πλήρως με τις ακόλουθες οδηγίες και
τους κανονισμούς της ΕΕ:

Κανονισμός	Περιγραφή
2006/42/ΕΚ	"σχετικά με τα μηχανήματα"
2000/14/ΕΚ	"σχετικά με τις εκπομπές θορύβου στο περιβάλλον"
2011/65/ΕΕ	"σχετικά με τον περιορισμό της χρήσης ορισμένων επικίνδυνων ουσιών σε είδη ηλεκτρικού και ηλεκτρονικού εξοπλισμού"

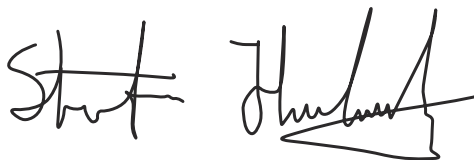
και ότι εφαρμόζονται τα παρακάτω πρότυπα ή/και
τεχνικές προδιαγραφές: IEC 62841-4-6, EN ISO
12100:2021, EN IEC 63000:2018.

Η SMP Svensk Maskinprovning AB, Box 4053, SE-904
03 Umeå, Sweden έχει διεξαγάγει εθελοντικά εξέταση
τύπου σύμφωνα με το παράρτημα IX της οδηγίας
2006/42/ΕΚ. Αριθμός πιστοποιητικού: SEC/15/2416 –
Husqvarna BA101.

Η SMP Svensk Maskinprovning AB έχει επίσης
επαληθεύσει τη συμβατότητα με το παράρτημα V
της οδηγίας 2000/14/ΕΚ του Συμβουλίου. Αριθμός
πιστοποιητικού: 01/012/014.

Για πληροφορίες σχετικά με τις εκπομπές θορύβου,
ανατρέξτε στην ενότητα *Τεχνικά στοιχεία στη σελίδα 59*.

Husqvarna, 2022-05-09



Stefan Holmberg, Διευθυντής Έρευνας και Ανάπτυξης,
Διαχείριση τεχνολογίας, Husqvarna AB

Υπεύθυνος για την τεχνική τεκμηρίωση



Contenido

Introducción.....	64	Transporte, almacenamiento y eliminación.....	69
Seguridad.....	65	Datos técnicos.....	70
Funcionamiento.....	68	Declaración de conformidad.....	72
Mantenimiento.....	69		

Introducción

Descripción del producto

Trabajamos constantemente para perfeccionar nuestros productos y nos reservamos, por lo tanto, el derecho a introducir modificaciones en la construcción y el diseño sin previo aviso.

Nota: El presente manual trata tanto las unidades de alimentación de gasolina como las de batería.

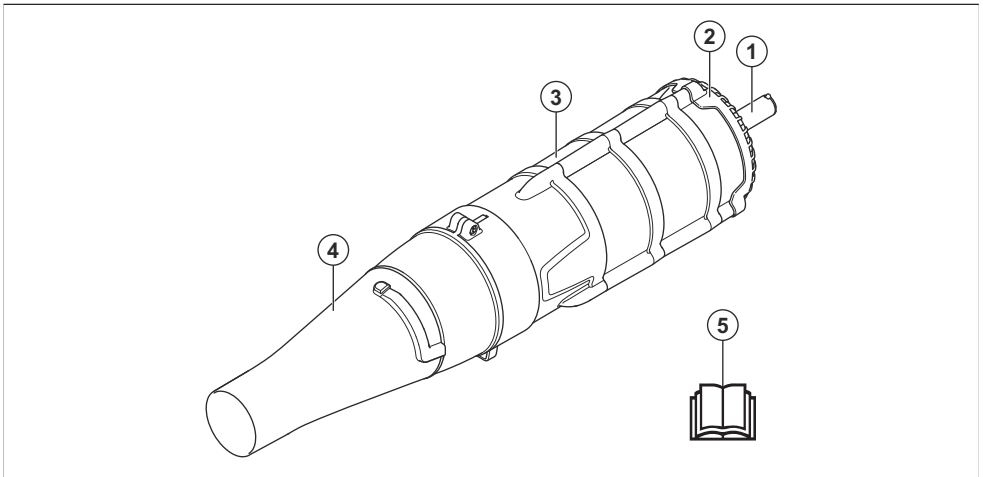
Uso previsto



ADVERTENCIA: Este accesorio solo se puede utilizar con la unidad eléctrica prevista. Consulte el capítulo sobre accesorios del manual de usuario de la unidad eléctrica.

El accesorio está diseñado solamente para limpiar con aire césped, caminos, vías asfaltadas y similares.

Vista general del equipo



1. Tubo
2. Rejilla de la toma de aire
3. Carcasa de ventilador
4. Tobera de aire
5. Manual de usuario



Lea atentamente el manual de usuario y asegúrese de que entiende las instrucciones antes de utilizar el equipo.



Símbolos que aparecen en el accesorio y la unidad eléctrica



Un uso descuidado o incorrecto de este equipo puede provocar heridas graves o mortales al usuario o a otras personas.



Este equipo cumple con las directivas CE vigentes.



Utilice sistemas de protección auditiva, ocular y respiratoria homologados.



Utilice guantes protectores homologados.



Etiqueta de emisiones sonoras al medioambiente conforme con las directivas y normativas europeas y del Reino Unido, y con la regulación de 2017 sobre de protección del medioambiente (control de ruidos) (Protection of the Environment Operations - Noise Control) de la legislación de Nueva Gales del Sur. El nivel de potencia acústica garantizado

del producto se especifica en *Datos técnicos en la página 70* y en la etiqueta.



El usuario del soplador debe asegurarse de que ninguna persona ni ningún animal se acerquen a menos de 15 metros. Cuando haya varios operarios trabajando en el mismo lugar, la distancia de seguridad entre ellos debe ser de 15 metros. El soplador de hojas puede hacer que salgan despedidos objetos con mucha fuerza que pueden rebotar. Si no se utiliza el equipo de seguridad recomendado, se pueden producir daños oculares graves.

Nota: Los demás símbolos o etiquetas que aparecen en el equipo corresponden a requisitos de homologación específicos en determinados mercados.

Seguridad

Definiciones de seguridad

Las advertencias, precauciones y notas se utilizan para destacar información especialmente importante del manual de usuario.



ADVERTENCIA: Indica un riesgo de lesiones o incluso de muerte del usuario o de las personas cercanas si no se respetan las instrucciones del manual.



PRECAUCIÓN: Indica un riesgo de daños en el producto o en el accesorio, otros materiales o el área adyacente si no se respetan las instrucciones del manual.

Nota: Se usa para proporcionar más información necesaria en una situación determinada.

Advertencias de seguridad para sopladores, aspiradores y sopladores/aspiradores de jardín

- **Antes de utilizar el producto, inspeccione el cable de alimentación y el alargador, si lo utiliza, en busca de señales de daños o deterioro.** No toque el cable antes de desconectar la alimentación. No utilice la máquina si el cable está dañado o desgastado. Un cable de alimentación dañado puede provocar descargas eléctricas, incendios y lesiones graves.
- **No utilice la máquina con condiciones meteorológicas adversas, especialmente si hay**

riesgo de tormenta eléctrica. Así disminuirá el riesgo de recibir un rayo.

- **Utilice siempre protección ocular y auditiva.** El uso de un equipo de protección adecuado reducirá el riesgo de lesiones.
- **Durante el funcionamiento de la máquina, lleve siempre calzado de protección antideslizante. No use la máquina descalzo o con sandalias abiertas.** Así reducirá el riesgo de sufrir lesiones en los pies.
- **No lleve ropa holgada ni artículos como bufandas, cordones, cadenas, corbatas, etc., que puedan introducirse en las tomas de aire. Recójase o cúbrase el pelo largo para asegurarse de que no se introduce en las tomas de aire.** Si alguno de estos elementos se introduce en las tomas de aire, puede aumentar el riesgo de sufrir lesiones.
- **Mantenga a los transeúntes alejados mientras trabaja con la máquina.** Los restos que salen despedidos pueden aumentar el riesgo de sufrir lesiones.
- **No oriente nunca la boquilla del soplador hacia personas o animales ni hacia las ventanas. Tenga especial cuidado al soplar restos cerca de objetos sólidos, como árboles, automóviles y paredes, ya que pueden provocar que los restos reboten.** Los objetos que salen despedidos pueden dañar la propiedad y aumentar el riesgo de sufrir lesiones.
- **No utilice la máquina sobre objetos que estén ardiendo o humeando, como cigarrillos, cerillas o cenizas calientes.** Estas fuentes de ignición pueden aumentar el riesgo de incendio.
- **No toque el ventilador mientras esté en movimiento. Apague la máquina y espere hasta que se detenga el ventilador antes de retirar cualquier pieza que**

permita el acceso al ventilador. Así reducirá el riesgo de sufrir lesiones por contacto con piezas móviles.

- Cuando retire material atascado o realice tareas de mantenimiento en la máquina, asegúrese de que el interruptor de alimentación esté en la posición de apagado. El accionamiento inesperado de la máquina mientras retira el material atascado o efectúa tareas de mantenimiento puede provocar lesiones graves.

Instrucciones generales de seguridad



ADVERTENCIA: Lea las siguientes instrucciones de seguridad antes de utilizar el equipo.

- Lea detenidamente el manual de instrucciones y asegúrese de entender su contenido antes de utilizar el equipo.
- Este manual de usuario debe leerse junto con el manual de usuario de la unidad eléctrica para conocer toda la información pertinente.
- Bajo ninguna circunstancia debe modificarse la configuración original del equipo sin autorización del fabricante. No utilice un equipo que parezca haber sido modificado por otras personas y emplee siempre accesorios originales. Las modificaciones o los accesorios no autorizados pueden ocasionar accidentes graves o incluso la muerte del operario o de terceros.

Instrucciones de seguridad para el funcionamiento



ADVERTENCIA: Lea las siguientes instrucciones de advertencia antes de utilizar el producto.



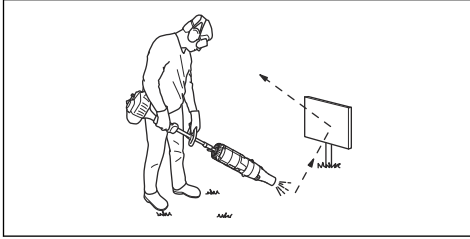
ADVERTENCIA: Este producto genera un campo electromagnético durante el funcionamiento. Este campo magnético puede, en determinadas circunstancias, interferir con implantes médicos activos o pasivos. Para reducir el riesgo de que se den condiciones que provocarían lesiones graves o letales, las personas que utilizan implantes médicos deben consultar con su médico y con el fabricante del implante antes de utilizar este producto.

- No utilice nunca el producto si está cansado o enfermo, si ha bebido alcohol o ingerido otras drogas, o si utiliza algún medicamento que pueda afectar la visión, el juicio o la coordinación.
- No utilice nunca un producto defectuoso.
- Todas las cubiertas y protecciones deben estar montadas antes del arranque. Si se trata de un producto de gasolina, compruebe que el sombrerete

de la bujía y el cable de encendido no presenten daños para evitar el riesgo de descarga eléctrica.

- El usuario del soplador debe asegurarse de que ninguna persona ni ningún animal se acerquen a menos de 15 metros. Cuando haya varios operarios trabajando en el mismo lugar, la distancia de seguridad entre ellos debe ser de 15 metros.
- No permita nunca que los niños utilicen el producto.
- Nunca deje que otras personas utilicen el producto sin asegurarse primero de que hayan leído y entendido el contenido de este manual de usuario.
- Nunca retire la rejilla de la toma de aire.
- No toque nunca la bujía ni el cable de encendido con el motor en marcha. En caso de tocar la bujía o el enchufe puede recibir una descarga eléctrica.
- Consulte siempre a las autoridades para estar seguro de cumplir con el reglamento en vigor.
- Mantenga todas las partes del cuerpo alejadas de las superficies calientes.
- Si se encuentra en una situación en la que no está seguro de cómo proceder, consulte a un experto. Póngase en contacto con su distribuidor o taller de servicio. Evite todo uso para el que no se sienta suficientemente cualificado.
- Mantenga la boca del soplador lo más cerca posible del suelo. Utilice toda la longitud del tubo de soplado para mantener la corriente de aire cerca del suelo.
- Utilice la máquina durante el horario habitual de trabajo para evitar molestias innecesarias. Evite trabajar por la mañana temprano o a altas horas de la noche.
- Tenga en cuenta el espacio que le rodea. Si alguien se acerca a la zona de trabajo, suelte el gatillo de alimentación hasta que la persona se aleje lo suficiente. No aproxime el soplador a personas, animales, zonas de juego, ventanas abiertas, coches, etc. La fuerza del aire puede hacer que alguna piedra, la suciedad o un palo salgan disparados o reboten, lo cual puede ocasionar lesiones en personas o animales, romper un cristal o provocar otros daños.
- Para evitar que la turbina giratoria cause lesiones graves, no introduzca las manos ni otros objetos en la carcasa del soplador.
- Mantenga la superficie externa limpia de aceite o combustible.
- Nunca utilice la unidad para esparcir productos químicos, fertilizantes u otras sustancias que pudieran contener materiales tóxicos.
- Para evitar la propagación de incendios, no utilice la unidad cerca de hojas o arbustos ardiendo, chimeneas, barbacoas, ceniceros, etc.
- Nunca rocíe ni empape el accesorio con agua u otro líquido.
- Utilice siempre las dos manos para sostener la máquina. Mantenga la máquina a un lado de su cuerpo.
- Si se trata de un producto que funcione a gasolina, deje que el motor se enfríe antes de repostar.

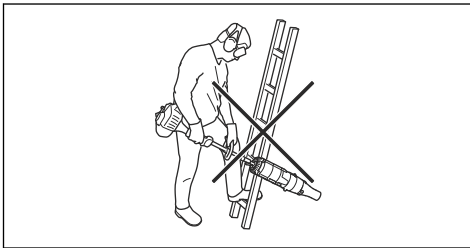
- La fuerte corriente de aire puede mover objetos a gran velocidad, lo cual puede hacer que reboten y provoquen heridas graves en los ojos.



- Pare el motor antes de montar o desmontar accesorios u otros componentes.
- No utilice el producto en condiciones climáticas desfavorables, como niebla densa, lluvia intensa, viento fuerte, frío extremo, etc. Trabajar con mal tiempo aumenta la fatiga y puede provocar condiciones peligrosas como, por ejemplo, superficies resbaladizas.
- Compruebe que pueda caminar y mantenerse de pie con seguridad. Vea si hay eventuales obstáculos para movimientos imprevistos (raíces, piedras, ramas, fosos, zanjas, etc.). Proceda con sumo cuidado al trabajar en terreno inclinado.



- No apoye nunca el producto con el motor en marcha sin tenerlo bajo control.
- Si se trata de un producto de gasolina, los gases de escape del motor contienen monóxido de carbono, que puede provocar intoxicaciones. Por eso, nunca arranque ni haga funcionar el producto en recintos cerrados, o cuando no exista una buena circulación de aire.
- El soplador no debe utilizarse en las alturas: escaleras, andamios, techos, etc. De lo contrario, podrían producirse graves lesiones.



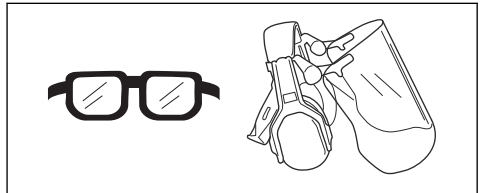
- No use el producto si no puede pedir ayuda en caso de accidente.
- No introduzca objetos en la abertura de entrada de aire, ya que podría restringir la circulación del aire y ocasionar daños en la unidad.
- Asegúrese de que el producto no se golpee contra una valla, un árbol u otros materiales duros. Esto puede causar daños en la máquina y provocar lesiones graves.
- Cuando use protectores auriculares preste siempre atención a las señales o llamadas de advertencia. Qúitese siempre los protectores auditivos en cuanto se detenga el motor.

Equipo de protección individual

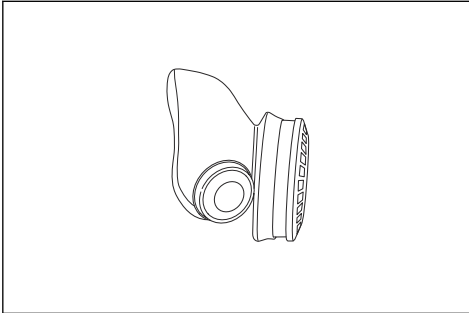


ADVERTENCIA: Lea las siguientes instrucciones de advertencia antes de utilizar el producto.

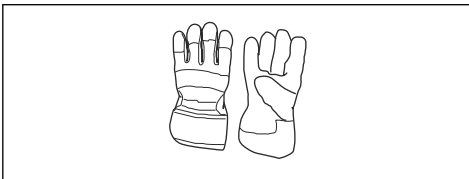
- Para trabajar con el producto, debe utilizar siempre un equipo de protección individual homologado. El equipo de protección individual no elimina completamente el riesgo de lesiones, pero reduce la gravedad de estas en caso de accidente. Deje que el distribuidor le ayude a seleccionar el equipo adecuado.
- Use protectores auriculares homologados con suficiente capacidad de reducción sonora. La exposición prolongada al ruido puede causar daños crónicos en el oído.
- Utilice protección ocular homologada. Si se utiliza visor, deben utilizarse también gafas protectoras homologadas. Por gafas protectoras homologadas se entiende las que cumplen con la norma ANSI Z87.1 para EE. UU. o EN 166 para países de la UE.



- Utilice una máscara de protección respiratoria en caso de existir riesgo de polvo.



- Utilice guantes cuando sea necesario, por ejemplo, para el montaje, inspección o limpieza del equipo.



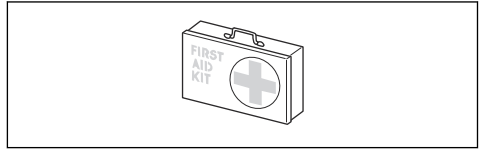
- Utilice botas o zapatos antideslizantes y resistentes.



- Use indumentaria de material resistente. Use siempre pantalones largos y gruesos, y mangas

largas. No lleve ropa suelta que pueda quedar atrapada en los arbustos y ramas. No trabaje con joyas, pantalones cortos, sandalias ni los pies descalzos. Recójase el pelo por encima de los hombros.

- Mantenga el equipo de primeros auxilios cerca.



Instrucciones de seguridad para el mantenimiento



ADVERTENCIA: Lea las siguientes instrucciones de advertencia antes de utilizar el producto.

Lleve a cabo una inspección general del producto antes de su uso. Observe el programa de mantenimiento.

Siga las instrucciones de mantenimiento y servicio de este manual. Algunas medidas de mantenimiento y servicio deben ser efectuadas por especialistas formados y cualificados. Consulte las instrucciones del apartado Mantenimiento.

Compruebe siempre que no hay ningún objeto que bloquee la rejilla de la toma de aire antes de comenzar a trabajar.

A fin de evitar daños provocados por una caída del producto, el montaje y desmontaje deben llevarse a cabo cerca de la superficie del suelo.

Funcionamiento

Uso del accesorio

Nota: Sea considerado con las personas en las proximidades y no utilice la máquina en horas inadecuadas, por ejemplo tarde a la noche o temprano a la mañana. Reduzca los niveles de ruido al limitar el número de equipos que se utilicen de manera simultánea. Lea y siga los sencillos consejos que se indican a continuación para causar las mínimas molestias a su entorno.

1. Utilice un rastrillo o una escoba para aflojar basura adherida al suelo.
2. Para limpiar los rincones, empiece por el ángulo y siga hacia el exterior. De este modo se evita la acumulación de desechos que podrían salir despedidos hacia el rostro.

3. Utilice el soplador con la menor aceleración posible. La aceleración máxima se requiere en casos muy excepcionales. Muchas etapas del trabajo se pueden realizar con una aceleración parcial. Una aceleración menor significa menos ruido y menos polvo. Además, se tiene un mayor control al amontonar o mover los residuos.
4. Reduzca al mínimo el tiempo de soplado humedeciendo ligeramente las zonas con polvo o utilizando un pulverizador.
5. Reduzca el consumo de agua gracias al uso de sopladores en lugar de mangueras para diferentes aplicaciones en el césped y el jardín, como los enrejados, mamparas, rejillas, porches, etc.
6. Proceda con precaución cuando trabaje cerca de plantas. La fuerza del aire podría dañar las plantas delicadas.

- La velocidad del chorro de aire se regula con el acelerador/gatillo de alimentación. Elija la velocidad más adecuada para cada aplicación.
- Controle la dirección del viento. Trabajar en la dirección del viento facilita el trabajo.
- Utilizar el soplador de hojas para mover grandes pilas de basura/hojas causa un ruido innecesario.
- Manténgase bien parado y con buen equilibrio.
- Guarde cierta distancia entre el tubo y el suelo para evitar el contacto con el suelo cuando se trabaja con el producto.
- Deje el lugar limpio después de trabajar. Asegúrese de no haber soplado residuos en terrenos ajenos. Tire los residuos a un contenedor adecuado.
- Al terminar el trabajo, el producto se debe guardar en posición horizontal.

Mantenimiento

Introducción

A continuación, se indican algunas instrucciones generales de mantenimiento. Si Ud. necesita mayor información póngase en contacto con el taller de servicio.

Mantenimiento diario del producto



ADVERTENCIA: Detenga siempre el motor antes de realizar cualquier tarea de mantenimiento en el accesorio o de limpiarlo. Si el producto funciona con gasolina, desconecte el cable de encendido de la bujía. Si trabaja con un producto a batería, extraígalas.



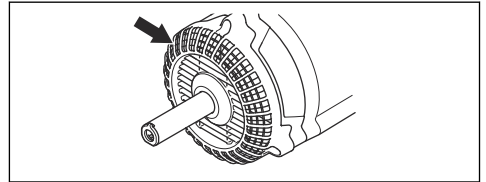
ADVERTENCIA: Mantenga todas las partes del cuerpo alejadas de las superficies calientes.

- Limpie la superficie exterior del soplador.
- Asegúrese de que las carcasas no tienen grietas.
- Verifique que el producto se encuentre en perfecto estado de funcionamiento.

- Asegúrese de que las tuercas y los tornillos están bien apretados.
- Limpie las etiquetas con un paño húmedo y detergente suave.

Comprobación de la rejilla de la toma de aire

- Compruebe que la toma de aire no está obstruida por ninguno de sus lados, incluyendo la parte inferior, por ejemplo con hojas o suciedad. Una toma de aire obstruida reduce la capacidad de soplado del producto e incrementa la temperatura de trabajo del motor, con el consiguiente riesgo de avería. Pare el motor y retire el objeto.



Transporte, almacenamiento y eliminación

Transporte y almacenamiento

Realice los pasos siguientes después de cada uso:

- Deje que el accesorio se enfríe antes de guardarlo o transportarlo.
- Guarde la unidad en un lugar alto, fresco y seco que esté a cubierto y fuera del alcance de los niños.

Almacenamiento de temporada

Prepare el accesorio para guardarlo al final de la temporada o si no piensa utilizarlo durante 30 días o más. Si piensa guardar el soplador durante cierto tiempo:

- Limpie la unidad.

- Revise si el accesorio tiene piezas sueltas o dañadas. Apriete los tornillos sueltos.
- Cambie las piezas dañadas, desgastadas o rotas.
- Al inicio de la siguiente temporada, use solamente combustible nuevo con la mezcla de gasolina y aceite en proporción adecuada.

Eliminación

- Respete los requisitos de reciclaje locales y las normas aplicables.
- Cuando termine el ciclo de vida del producto, envíelo a un distribuidor Husqvarna o deséchelo en un punto de reciclaje.

Datos técnicos

Datos técnicos de los productos de gasolina

BA101	
Peso	
Peso, kg	1,9
Emisiones de ruido	
Nivel de potencia acústica medido, dB(A)	111
Nivel de potencia acústica garantizado L_{WA} dB(A)	114
Niveles acústicos ⁴³	
Nivel de presión sonora equivalente en el oído del usuario, medido conforme a EN15503, dB(A)	99
Niveles de vibración ⁴⁴	
Niveles de vibración equivalentes ($a_{hv,eq}$) en las asas, medidos conforme a EN 15503, m/s^2	
Asa delantera/trasera:	5,6/8,3
Rendimiento del ventilador ⁴⁵	
Velocidad máxima del aire con boquilla estándar, m/s:	46
Caudal de aire con boquilla estándar, m^3/min	14

Datos técnicos de los productos a batería

325iLK + Blower attachment BA101	
Peso	
Peso, kg	2,3+1,9
Emisiones de ruido ⁴⁶	
Nivel de potencia acústica medido, dB(A)	103
Nivel de potencia acústica garantizado L_{WA} dB(A)	106

⁴³ El nivel de presión sonora equivalente se calcula con un ciclo de trabajo de una duración de 1/7 en ralentí y 6/7 en aceleración. Los datos referidos del nivel de presión sonora equivalente de la máquina tienen una dispersión estadística habitual (desviación típica) de 1 dB (A).

⁴⁴ El nivel de vibración equivalente se calcula con un ciclo de trabajo de una duración de 1/7 en ralentí y 6/7 en aceleración. Los datos referidos del nivel de vibración equivalente tienen una dispersión estadística típica (desviación estándar) de 1 m/s^2 .

⁴⁵ Con la unidad de motor 525LK/GC2225C.

⁴⁶ Emisiones sonoras en el entorno medidas como potencia acústica (L_{WA}) según la directiva 2000/14/CE. El nivel referido de potencia sonora de la máquina se ha medido con el accesorio de corte original que produce el nivel más elevado. La diferencia entre la potencia acústica garantizada y la medida es que la potencia acústica garantizada también incluye en el resultado de la medición la dispersión y las variaciones entre diferentes máquinas del mismo modelo, conforme a la directiva 2000/14/CE.

325iLK + Blower attachment BA101	
Niveles acústicos ⁴⁷	
Nivel de presión sonora en el oído del usuario, medido conforme a ISO 22868, dB(A)	
Equipado con accesorio homologado (original), dB(A)	93
Niveles de vibración ⁴⁸	
Niveles de vibración en las asas, medidos conforme a EN 62841-1, m/s ²	
Equipado con accesorio homologado (original), izquierda/derecha, m/s	1,6/1,1
Rendimiento del ventilador ⁴⁹	
Caudal de aire en modo normal con boquilla estándar, m ³ /min	14
Velocidad máxima del aire en modo normal con boquilla estándar, m/s:	45

⁴⁷ Los datos relativos al nivel de presión sonora de la máquina tienen una dispersión estadística habitual (desviación estándar) de 3 dB(A) y se han medido con el accesorio original que produce el nivel más elevado. Medido con la unidad de motor 325iLK.

⁴⁸ Los datos referidos del nivel de vibración poseen una dispersión estadística habitual (desviación típica) de 2 m/s². Para comparar los niveles de vibraciones en los productos a batería y los productos de combustión, utilice la calculadora de vibraciones: <https://www.husqvarna.com/uk/services-solutions/vibration-calculator/>. Medido con la unidad de motor 325iLK.

⁴⁹ Medido con la unidad de motor 325iLK.

Declaración de conformidad

Declaración de conformidad CE

Nosotros, **Husqvarna AB**, SE-561 82 Huskvarna (Suecia), tel. +46-36-146500, declaramos bajo nuestra exclusiva responsabilidad que el producto:

Descripción	Accesorio de soplador
Marca	Husqvarna
Tipo/Modelo	BA101
Identificación	Números de serie a partir del año 2022

Cumple las siguientes directivas y normas de la UE:

Norma	Descripción
2006/42/CE	"relativa a las máquinas"
2000/14/CE	"relativa a las emisiones sonoras en el entorno"
2011/65/UE	"relativa a restricciones de utilización de determinadas sustancias peligrosas en aparatos eléctricos y electrónicos"

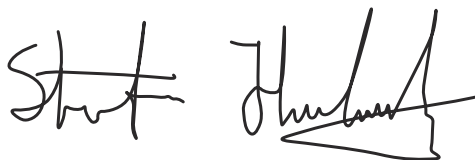
Y que se aplican las especificaciones técnicas o los estándares siguientes: EN 15503:2009+A2:2015, EN ISO 12100:2021, EN IEC 63000:2018.

SMP Svensk Maskinprovning AB, Box 4053, SE-904 03 Umeå, Sweden ha realizado un examen de tipo voluntario de conformidad con el anexo IX de la Directiva 2006/42/CE.

Número de certificado: SEC/15/2416 – Husqvarna BA101.

Para obtener información respecto a las emisiones sonoras, consulte *Datos técnicos en la página 70*.

Huskvarna, 2022-05-09



Stefan Holmberg, Director de I+D, Gestión de tecnología, Husqvarna AB

Responsable de la documentación técnica



Declaración de conformidad CE

Nosotros, **Husqvarna AB**, SE-561 82 Huskvarna (Suecia), tel. +46-36-146500, declaramos bajo nuestra exclusiva responsabilidad que el producto:

Descripción	Accesorio soplador con unidad eléctrica Husqvarna 325iLK
Marca	Husqvarna
Tipo/Modelo	BA101
Identificación	Números de serie a partir del año 2022

Cumple las siguientes directivas y normas de la UE:

Norma	Descripción
2006/42/CE	"relativa a las máquinas"
2000/14/CE	"relativa a las emisiones sonoras en el entorno"
2011/65/UE	"relativa a restricciones de utilización de determinadas sustancias peligrosas en aparatos eléctricos y electrónicos"

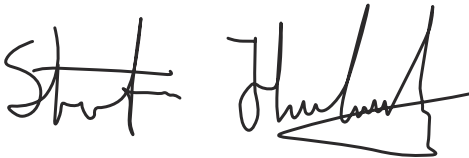
Y que se aplican las especificaciones técnicas o los estándares siguientes: IEC 62841-4-6, EN ISO 12100:2021, EN IEC 63000:2018.

SMP Svensk Maskinprovning AB, Box 4053, SE-904 03 Umeå, Sweden ha realizado un examen de tipo voluntario de conformidad con el anexo IX de la Directiva 2006/42/CE. Número de certificado: SEC/15/2416 – Husqvarna BA101.

SMP Svensk Maskinprovning AB, ha comprobado también la conformidad con el apéndice V de la Directiva del Consejo 2000/14/CE. Número de certificado: 01/012/014.

Para obtener información respecto a las emisiones sonoras, consulte *Datos técnicos en la página 70*.

Huskvarna, 2022-05-09



Stefan Holmberg, Director de I+D, Gestión de tecnología, Husqvarna AB

Responsable de la documentación técnica



Sisukord

Sissejuhatus.....	74	Transportimine, hoiulepanek ja utiliseerimine.....	79
Ohutus.....	75	Tehnilised andmed.....	79
Töö.....	78	Vastavusdeklaratsioon.....	81
Hooldamine.....	78		

Sissejuhatus

Toote kirjeldus

Tegeleme pidevalt oma toodete edasiarendamisega ning seetõttu jätame endale õiguse muuta toodete disaini ja välimust ilma sellest ette teatamata.

Märkus: Selles juhendis käsitletakse nii bensiini- kui ka akutoitega jõuseadmeid.

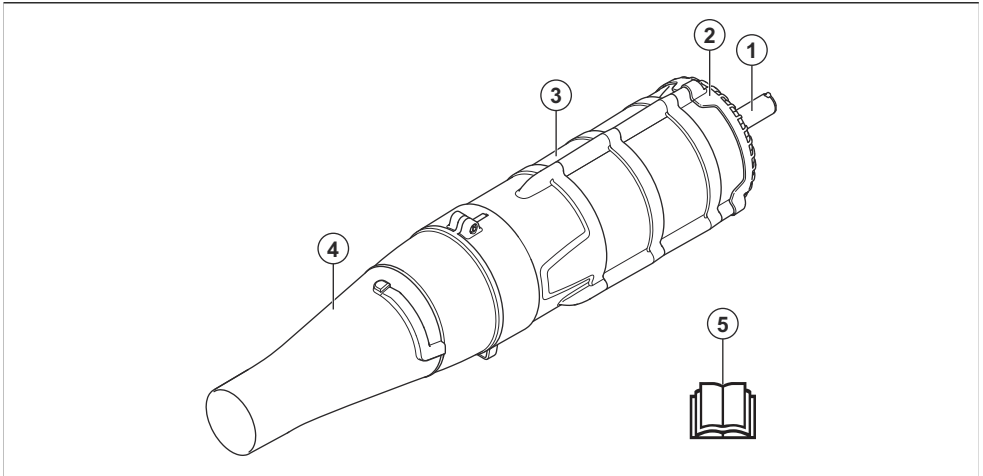
Kasutusotstarve



HOIATUS: Seda lisatarvikut võib kasutada ainult koos sellele sobiva toiteseadmega. Toiteseadme kohta vt lisatarviku peatükki kasutusjuhendis.

Lisatarvik on mõeldud üksnes muruplatside, teeradade, asfaltteede jms puhtaks puhumiseks.

Lisatarviku ülevaade



1. Vars
2. Õhu sissepääsuava
3. Tiiiviku korpus
4. Õhuotsak
5. Kasutusjuhend

Lisatarvikul ja toiteseadmel olevad sümbolid



Selle lisatarviku hooletu või väär käsitlemine võib põhjustada operaatore või teiste isikute vigastuse või hukkamise.



Lugege enne lisatarviku kasutamist kasutusjuhend tähelepanelikult läbi ja veenduge, et olete juhistest aru saanud.



See lisatarvik vastab EL-i kehtivatele direktiividele.



Kasutage heakskiidetud silmade ja hingamise kaitset.



Kandke heakskiidetud kaitsekindaid.



Müraemissioonile viitav keskkonnasilt vastavalt ELi ja UK direktiividele ja määrustele ja Uus Lõuna-Walesi õigusaktile „Protection of the Environment Operations (Noise Control) Regulation 2017“. Toote garanteeritud helivõimsuse

taseme andmed leiate jaotisest *Tehnilised andmed lk 79* ja sildilt.



Puhurseadme kasutaja on kohustatud tagama, et inimesed ja loomad ei tuleks töö ajal lähemale kui 15 m. Kui samas kohas töötab mitu seadmekasutajat, peab ohutusvahemaa olema vähemalt 15 meetrit. Puhurseade võib jõuliselt liigutada objekte, mis võivad tagasi pörkuda. Soovitusliku ohutusvarustuse mittekasutamisel võib see põhjustada tõsiseid silmavigastusi.

Märkus: Ülejäänud liseseadmel esitatud sümbolid/ tähised vastavad erinevates riikides kehtivatele sertifitseerimisnõuetele.

Ohutus

Ohutuse määratlused

Mõistetega „hoiatus“, „ettevaatus“ ja „märkus“ juhitakse tähelepanu eriti olulistele kohtadele kasutusjuhendis.



HOIATUS: Tähistab kasutusjuhendi juhiste eiramise korral kasutaja või kõrvalseisjate kehavigastuse või surmaga lõppeva õnnetuse ohtu.



ETTEVAATUST: Tähistab kasutusjuhendi juhiste eiramise korral toote ja/või tarviku, muude esemete või läheduses asuvate objektide kahjustamise ohtu.

Märkus: Tähistab antud olukorras vajalikku lisateavet.

Aiapuhuri, aiatolmuimeja ja aiapuhuri/-tolmuimeja ohutusalsed hoiatused

- Enne kasutamist veenduge, et toitekaabli ja pikendusjuhtmel ei oleks kahjustuste või vananemise märke. Ärge puudutage juhet enne toiteallika lahtiühendamist. Ärge kasutage masinat juhul, kui juhe on kahjustatud või ära kulunud. Kahjustatud toitekaabel võib põhjustada elektrilöögi, tulekahju ja/või raske kehavigastuse.
- Ärge kasutage masinat halva ilmaga (eelkõige äikesetormi ajal). See vähendab pikselöögi ohtu.
- Kandke alati kaitseprille ja kuulmiskaitset. Korralikud kaitsevahendid vähendavad vigastuste ohtu.
- Kandke masina kasutamisel alati libsemiskindlaid kaitsejalatseid. Ärge kasutage seadet paljajalu

või lahtiste sandaalidega. See vähendab jalgade vigastamise ohtu.

- Ärge kandke lohvakaid riideid ega esemeid (nt sallid, nõõrid, ketid, lipsud jne): need võivad sattuda õhuvõtuavadesse. Siduge pikad juuksed patsi või katke kinni, et need ei satuks õhuvõtuavadesse. Kui mõni neist esemetest tõmmatakse õhuvõtuavadesse, võib see suurendada kehavigastuste ohtu.
- Hoidke kõrvalised isikud masinaga töötamise ajal eemale. Õhukupaiskuv praht võib suurendada kehavigastuste ohtu.
- Ärge kunagi suunake lehepuhuri otsikut inimeste, lemmikloomade või akende suunas. Olge eriti ettevaatlik, kui kasutate puhurit prahi eemaldamiseks tahkete objektide (nt puude, autode ja seinte) läheduses: praht võib vastu selliseid objekte lennates tagasi pörkuda. Õhukupaiskuvad esemed võivad kahjustada vara ja suurendada kehavigastuste ohtu.
- Ärge kasutage masinat põlevate või suitsevate esemete, näiteks sigarettide, tuletikkude ega kuuma tuha ärarühumiseks. Need tuleallikad võivad suurendada tulekahjuohtu.
- Ärge puudutage ventilaatorit, kui see veel liigub. Lülitage masin välja ja oodake, kuni ventilaator seiskub, enne kui eemaldate osasid, mis võivad anda ventilaatorile ligipääsu. See vähendab liikuvate osade põhjustatud vigastusohtu.
- Kinnikiilunud materjali eemaldamisel või masina hooldamisel veenduge, et toitelüliti oleks välja lülitatud. Masina ootamatu käivitumine kinnikiilunud materjali eemaldamisel või seadme hooldamisel võib põhjustada raskeid kehavigastusi.

Üldised ohutusjuhised



HOIATUS: Enne lisatarviku kasutamist lugege läbi järgmised ohutusekirjad.

- Lugege enne lisatarviku kasutamist kasutusjuhend tähelepanelikult läbi ja veenduge, et olete juhistest aru saanud.
- Täieliku kasutajateabe saamiseks tuleb seda kasutusjuhendit tuleb lugeda koos toiteeadme kasutusjuhendiga.
- Lisatarviku alget konstruktsiooni ei tohi ilma tootja loata muuta. Ärge kasutage lisatarvikut, kui tundub, et teised on seda muutnud, ja kasutage alati originaalisaravastust. Lubamatud muudatused ja/või lisatarvikud võivad põhjustada kasutaja ning teiste isikute raskeid või isegi eluohtlikke kehavigastusi.

Ohutusjuhised kasutamisel



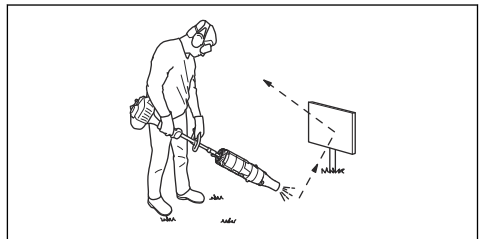
HOIATUS: Enne toote kasutamist lugege läbi järgmised hoiatused.



HOIATUS: Toode tekitab töötades elektromagnetvälja. Teatud tingimustel võib välti häirida aktiivsete või passiivsete meditsiiniliste implantaatide tööd. Raskete või surmaga lõppevate kahjustuste ohu vähendamiseks soovime meditsiinilisi implantaate kasutataval inimestel pidada enne selle toote kasutamist nõu oma arsti ja implantaadi valmistajaga.

- Ärge kunagi kasutage toodet, kui te olete haige või väsinud, alkoholi mõju all või olete kasutanud ravimeid, mis mõjutavad teie nägemis-, koordinatsiooni või otsustusvõimet.
- Ärge kunagi kasutage kahjustatud seadet.
- Enne käivitamist peavad olema kõik kaitsed ja katted oma kohale paigaldatud. Kui teil on bensiinitoitega toode, veenduge, et süüteküünlale kate ja süütejuhe oleksid kahjustamata, et ära hoida elektrilöögi ohtu.
- Puhurseadme kasutaja on kohustatud tagama, et inimesed ja loomad ei tuleks töö ajal lähemale kui 15 m. Kui samas kohas töötab mitu seadmekasutajat, peab ohutusvahemaa olema vähemalt 15 meetrit.
- Ärge kunagi lubage lastel toodet kasutada.
- Ärge kunagi lubage kellelgi toodet kasutada enne, kui olete kindel, et ta on kasutusjuhendi läbi lugenud ja selle sisust aru saanud.
- Ärge kunagi eemaldage õhuvõtuava võret.
- Ärge kunagi puudutage süüteküünlalt või süütejuhet, kui mootor töötab. Süüteküünlale või süütejuhtme puudutamisel võite saada elektrilöögi.
- Võtke ühendust töökaitseorganitega ja kontrollige, kas te järgite kehtivaid määrsi.

- Hoidke kõik kehaosad kuumadest pindadest eemal.
- Kui olukord on teile tundmatu, katkestage töö ja küsige spetsialistilt nõu. Võtke ühendust edasimüüja või hooldustöökõjaga. Ärge tehke tööd, milleks teil puudub väljaõpe või kogemused.
- Hoidke lehepuhuri avast võimalikult maapinna lähedal. Kasutage tervet puhumistoru pikkust õhujoo maapinna lähedal hoidmiseks.
- Liigse mürahäiringu vältimiseks kasutage seadet tavapärasel tööajal. Vältige töötamist varahommikul või hilisõhtul.
- Olge tähelepanelik oma ümbruse suhtes. Kui keegi läheneb tööalale, vabastage gaasi-/toitepäästik, kuni isik on ohutus kauguses. Suunake lehepuhur eemal inimestest, loomadest, mängualadest, avatud akendest, autodest jne. Õhuvool võib tõsta lendu kive, mustust või oksa, mis võivad vigastada inimesi või loomi, lõhkuda klaase või põhjustada teisi kahjustusi.
- Ärge pange kunagi käsi või muid esemeid lehepuhuri korpusesse, et vältida pöörlevast tiivikust tingitud tõsiste vigastuste ohtu.
- Hoidke välispind õist ja kütusest puhtana.
- Ärge kasutage toodet kunagi kemikaalide, väetise või muude ainete laialipuhumiseks, mis võivad sisaldada mürgiseid komponente.
- Tule leviku vältimiseks ärge kasutage lehepuhurit kulupõlengute, kaminat, grillide, tuhatooside jne juures.
- Ärge kunagi pange lisatarvikut vette või pritsige seda mõne teise vedelikuga.
- Kasutage seadme hoidmiseks alati kahte kätt. Hoidke seadet keha lähedal.
- Kui teil on bensiinitoitega toode, siis laske sellel enne tankimist jahtuda.
- Jüliselt õhuvood võivad objekte liigutada sellisel kiirusel, et need pörkavad tagasi ja põhjustavad tõsiseid silmavigastusi.

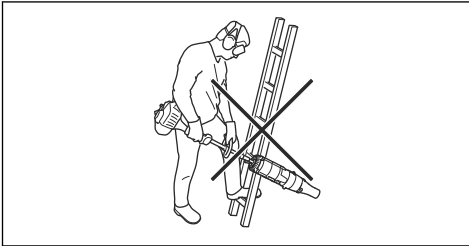


- Seisake mootor, enne kui asute lisatarvikuid või muid osi seadme külge kinnitama või neid eemaldama.
- Ärge kasutage toodet halbade ilmastikuolude korral (nt tihe udu, tugev vihm, tuul ja pakane jms). Halva ilmaga töötamine on väga väsitav ja sellega kaasneb muid ohte, nt libe maapind.
- Veenduge, et saate turvaliselt seista ja liikuda. Veenduge, et läheduses ei oleks takistusi (juuri, kive, oksa, kraave jne), mis takistaksid teid juhul, kui

peaksite olema sunnitud kiiresti liikuma. Olge eriti ettevaatlik mäeküljel töötades.



- Ärge pange töötava mootoriga seadet maha, kui teil pole sellest head ülevaadet.
- Kui teil on bensiniitoega toode, siis tuleb arvestada, et mootori heitgaasid sisaldavad vingugaasi, mis võib põhjustada vingumürgituse. Seetõttu ei tohi toodet käivitada ega sellega töötada siseruumides ning halva ventilatsiooniga kohtades.
- Lehepuhurit ei tohi kasutada redelil, tellingutel või kõrgetes kohtades seistes (nt katusel). See võib põhjustada tõsiseid vigastusi.



- Ärge kunagi kasutage toodet olukordades, kus te ei saa õnnetuse korral abi kutsuda.
- Ärge asetage kunagi midagi õhuvõtuavasse, kuna see võib takistada õiget õhuvoolu ja kahjustada seadet.
- Vältige toote pörkimist vastu mis tahes aeda, puu ja muud kõva materjali. See võib seadet kahjustada ja põhjustada raskeid kehavigastusi.
- Kui kasutate kõrvaklappe, olge tähelepanelik hoiu- ja hoiatussignaalide suhtes. Eemaldage kõrvaklapid kohe, kui mootor on seiskunud.

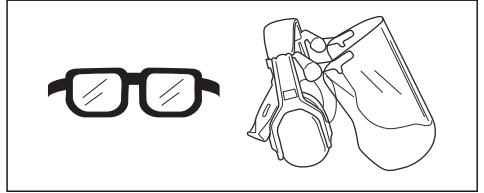
Isikukaitsevahendid



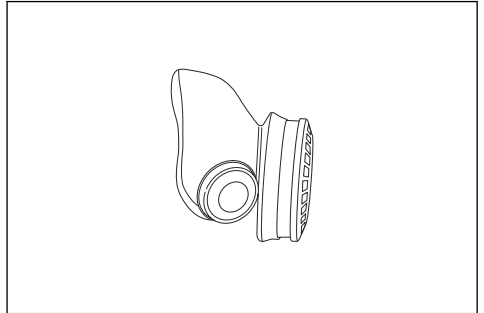
HOIATUS: Enne toote kasutamist lugege läbi järgmised hoiatused.

- Seadmega töötamisel tuleb kasutada ettenähtud isikukaitsevarustust. Isikukaitsevarustus ei välista täielikult kehavigastuste ohtu, kuid vähendab õnnetusjuhtumi korral kehavigastuse raskusastet. Õige varustuse valimiseks pöörduge edasimüüja poole.

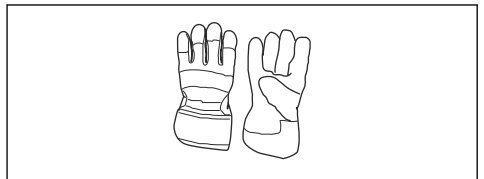
- Kandke alati sobiva summutusvõimega kõrvaklappe. Pikaajaline müra võib tekitada püsiva kuulmiskahjustuse.
- Kandke heakskiidetud kaitseprille. Näokaitseme kasutamisel tuleb lisaks kasutada heakskiidetud kaitseprille. Heakskiidetud kaitseprillide all mõeldakse selliseid prille, mis vastavad standardile ANSI Z87.1 USA-s või EN 166 Euroopa Liidu riikides.



- Tolmu tekkimise ohu korral kasutage hingamiskaitset.



- Vajaduse korral kandke kaitsekindaid, näiteks lisatarvikut kinnitades, kontrollides või puhastades.



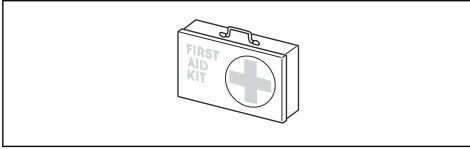
- Kandke vastupidavaid, mittelibisevaid jalatseid.



- Kandke vastupidavast materjalist riideid. Kandke alati pikki raskeid pükse ja pikki varrukaid. Hoiduge liiga avaratest rõivastest, mis võivad okstesse takerduda. Ärge kandke ehteid, lühikesi pükse,

lahtseid jalatseid ega käige paljajalu. Kinnitage juuksed ohutult õlgadest kõrgemale.

- Hoidke esmaabikomplekt käepärast.



Ohutusjuhised hooldamisel



HOIATUS: Enne toote kasutamist lugege läbi järgnevad hoiatused.

Töö

Lisatarviku kasutamine

Märkus: Hoolige ümbritsevatest inimestest, ärge kasutage seadet sobimatutel kellaaegadel, nt hilisõhtul või varahommikul. Vähendage mürataset – piirake samaaegselt kasutatavate seadmete arvu. Lugege need lihtsad juhised läbi ja järgige neid, et te häiriksite oma ümbrust võimalikult vähe.

1. Maa külge kinni jäänud prahi eemaldamiseks kasutage reha või luuda.
2. Nurkade puhastamisel alustage nurgast ja liikuge väljapoole. See aitab vältida prahi kogunemist, mis võib teile näkku paiskuda.
3. Kasutage puhurseadet võimalikult madalal gaasi/kiirusel. Täisgaasi/-kiiruse kasutamine on vajalik harva, paljusid tööprotseduure saab teha poole gaasi/kiirusega. Vähem gaasi/kiirust tähendab vähemat müra ja tolmu ning samuti on kokkukogutud/liigutatavat prahti lihtsam suunata.
4. Vähendage puhumisaega kergelt niisutades tolmuseid piirkondi või kasutades pihustusvarustust.

Enne kasutamist tehke seadmele üldine ülevaatus. Järgige hoolduskeemi.

Järgige hooldustöid teostades selle kasutusjuhendi nõudeid. Teatud hooldustoiminguid tohib teha ainult vastava väljaõppe saanud spetsialist. Vt juhiseid lõigust „Hooldus“.

Enne töö alustamist veenduge alati, et miski ei blokeeriks õhuvõtuava võret.

Kahjustuste vältimiseks, mida võib põhjustada toote kukkumine, tuleb toode panna kokku ja võtta koost lahti maapinna lähedal.

5. Vähendage veetarbimist – kasutage erinevate aiatarvikute (nt võrede, võrkude, restide, verandade jms) puhastamiseks veevoolikute asemel hoopis puhurseadmeid.
6. Olge taimede läheduses töötamisel ettevaatlik. Tugev õhuvool võib õrnu taimi kahjustada.
7. Gaasihoova/toitelülitiga reguleeritakse õhujoo kiirust. Valige kiirus, mis antud tööülesande jaoks kõige paremini sobib.
8. Arvestage tuule suunaga. Kasutage tuult ära, see teeb töö lihtsamaks.
9. Puhurseadme abil suurte kuhjade liigutamine on aeganõudev ja tekitab asjatult suurt müra.
10. Olge kindlal pinnal ja hoidke ennast tasakaalus.
11. Hoidke toru maapinnast veidi kõrgemal, et vältida tootega töötamisel kokkupuudet maapinnaga.
12. Koristage töö jäljed. Veenduge, et te pole prahti kellegi aeda puhunud. Visake prügi prügikonteinerisse.
13. Töö lõpetamisel tuleb toode panna hoiukohta horisontaalasendis.

Hooldamine

Sissejuhatus

Allpool on toodud üldised hooldusekirjad. Täpsema teabe saamiseks pöörduge hooldustöökotta.

Lisatarviku igapäevane hooldus



HOIATUS: Enne puhastus- ja hooldustööde alustamist peatage alati mootor. Kui teil on bensiinitoitega toode, võtke süütejuhe süüteküünla küljest lahti. Kui teil on akutoitega toode, eemaldage aku.

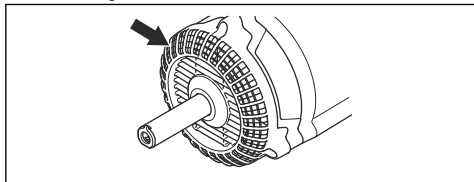


HOIATUS: Hoidke kõik kehaosad kuumadest pindadest eemal.

1. Puhastage puhuri välispind.
2. Veenduge, et korpusel poleks pragusid.
3. Kontrollige, et toode oleks täiesti korras.
4. Veenduge, et kõik mutrid ja kruvid oleksid pingutatud.
5. Puhastage sildid niiske lapi ja õrnatoimelise puhastusvahendiga.

Õhuvõtuava võre kontrollimine

1. Kontrollige, et õhuvõtuava pole ummistatud ühelgi küljel, kaasaarvatud allküljel, nt lehtede või prahiga. Ummistunud õhuvõtuava vähendab toote puhumisvõimsust ja tõstab mootori töotemperatuuri, mis võib viia mootori rikkeni. Seisake mootor ja eemaldage ummistus.



Transportimine, hoiulepanek ja utiliseerimine

Transport ja hoiustamine

Tehke pärast igit kasutuskorda järgmist.

- Laske lisaseadmel enne selle hoiundamist või transportimist jahtuda.
- Hoiundage jahedas ja kuivas siseruumis kõrgel, lastele kättesaamatus kohas.

Hooajaline hoiustamine

Hooaja lõppedes või kui lisatarvikut ei kasutata vähemalt 30 päeva, valmistage tarvik ette pikaajaliseks hoiustamiseks. Puhuri lisaseadme hoiundamisel pikemaks ajaks toimige järgmiselt.

- Puhastage seade.

- Kontrollige, ega lisaseadmel pole lahtiseid või kahjustatud osasid. Pingutage lahtised kruvid.
- Vahetage välja kõik kahjustatud, kulunud või katkised osad.
- Järgmise hooaja alguses kasutage ainult värsket kütust, millel on õige bensiini ja õli suhe.

Utiliseerimine

- Järgige kohalikke jäätmeäritluseeskirju ja kehtivaid seadusi.
- Kui toodet enam ei kasutata, toimetage see Husqvarna edasimüüjale või kõrvaldage see taaskasutuskeskuses.

Tehnilised andmed

Tehnilised andmed bensiinitoitega toodete kohta

BA101	
Kaal	
Kaal, kg	1,9
Müratasemed	
Helivõimsuse tase, mõõdetud dB(A)	111
Helivõimsuse tase, garanteeritud L_{WA} dB(A)	114
Helitasemed ⁵⁰	
Ekvivalentne müra rõhutase kasutaja kõrvas, mõõdetud vastavalt EN15503 nõuetele, dBA	99

⁵⁰ Ekvivalentne helirõhutase väärtus arvutatakse vastavalt töösüklile, 1/7 kestusega tühikäigu puhul ning 6/7 kestusega töötades. Antud andmetel seadme helirõhutase ekvivalendi kohta on statistiline tüüplevi 1 dB(A) (standardne kõrvalekalle).

BA101	
Vibratsioonitase ⁵¹	
EN 15503 järgi mõõdetud käepidemete ekvivalentsed vibratsioonitasemed ($a_{hv,eq}$), m/s^2	
Eesmised/tagumised käepidemed:	5,6/8,3
Ventilaatori jõudlus ⁵²	
Maksimaalne õhukiirus standardotsakuga, m/s:	46
Õhuvool standardotsakuga, m^3/min	14

Tehnilised andmed akutoitega toodete kohta

325iLK + Blower attachment BA101	
Kaal	
Kaal, kg	2,3+1,9
Müratasemed ⁵³	
Helivõimsuse tase, mõõdetud dB(A)	103
Helivõimsuse tase, garanteeritud L_{WA} dB(A)	106
Helitasemed ⁵⁴	
Ekvivalentne mürarõhutase kasutaja kõrva juures, mõõdetud ISO 26868 järgi, dB(A)	
Originaalse heakskiidetud lisatarvikuga dB (A)	93
Vibratsioonitase ⁵⁵	
Käepidemete vibratsioonitasemed, mõõdetud EN 62841-1 järgi, m/s^2	
Originaalse vasak-/parempoolse heakskiidetud lisatarvikuga, m/s	1,6/1,1
Ventilaatori jõudlus ⁵⁶	
Õhuvool tavarežiimil standardotsakuga, m^3/min	14
Suurim õhukiirus tavarežiimil standardotsakuga, m/s	45

⁵¹ Ekvivalentne vibratsioonitase arvutatakse vastavalt 1/7 kestusega töötükkide tühikäigu ning 6/7 kestusega töötükkide töörežiimi puhul. Ekvivalentse vibratsioonitase kohta toodud andmete tüüpiline statistiline dispersioon (standardhälve) on 1 m/s^2 .

⁵² Koos mootoriga 525LK/GC2225C.

⁵³ Müraemissioon ümbritsevasse keskkonda, mõõdetud helivõimsuse tasemena (L_{WA}) vastavalt EÜ direktiivile 2000/14/EÜ Seadme antud müratase mõõdeti enim müra tekitava originaalõikeosa kasutamisel. Erinevus garanteeritud ja mõõdetud helivõimsustaseme vahel seisneb selles, et direktiivi 2000/14/EÜ alusel hõlmab garanteeritud helivõimsustase ka mõõtmistulemuste dispersiooni ja kõrvalekaldeid sama mudeli erinevate seadmete vahel.

⁵⁴ Antud andmetel seadme helirõhutase ekvivalendi kohta on statistiline tüüpiline 3 dB(A) (standardne kõrvalekalle) ja on mõõdetud originaalse lõikeosaga, mis annab kõrgeima taseme. Mõõdetud mootoriga 325iLK.

⁵⁵ Vibratsioonitase kohta toodud andmete tüüpiline statistiline dispersioon (standardhälve) on 2 m/s^2 . Akuga ja põlemismootoriga seadmete vibratsioonitasemete võrdlemiseks kasutatakse vibratsioonikalkulaatorit, vt <https://www.husqvarna.com/uk/services-solutions/vibration-calculator/>. Mõõdetud mootoriga 325iLK.

⁵⁶ Mõõdetud mootoriga 325iLK.

Vastavusdeklaratsioon

EÜ vastavusdeklaratsioon

Husqvarna AB, SE-561 82 Huskvarna, Rootsi, tel: +46
3614 6500, kinnitab ainuvastutusel, et toode:

Kirjeldus	Lehepuhuri lisatarvik
Kaubamärk	Husqvarna
Tüüp/mudel	BA101
Identifitseerimine	Seerianumbrid alates 2022. aastast

vastab täielikult järgmistele EÜ direktiividele ja määrustele:

Määrus	Kirjeldus
2006/42/EÜ	„masinadirektiiv“
2000/14/EÜ	„seadmete müra kohta käiv direktiiv“
2011/65/EL	„elektri- ja elektroonikaseadmetes teatavate ohtlike ainete kasutamise piiramise direktiiv“

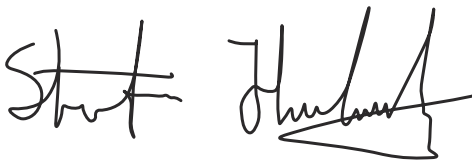
ja et kohalduvad järgmised standardid ja/või tehnilised spetsifikatsioonid: EN 15503:2009+A2:2015, EN ISO 12100:2021, EN IEC 63000:2018.

SMP Svensk Maskinprovning AB, Box 4053, SE-904 03 Umeå, Sweden on läbinud vabatahtliku tüübikontrolli kooskõlas 2006/42/EÜ IX lisaga.

Sertifikaadi number: SEC/15/2416 – Husqvarna BA101.

Lisateavet mürataseme kohta vt *Tehnilised andmed lk 79*.

Huskvarna, 2022-05-09



Stefan Holmberg, uurimis- ja arendustegevuse juht,
tehnoloogiahaldus, Husqvarna AB

Tehnilise dokumentatsiooni eest vastutaja



EÜ vastavusdeklaratsioon

Husqvarna AB, SE-561 82 Huskvarna, Rootsi, tel: +46
3614 6500, kinnitab ainuvastutusel, et toode:

Kirjeldus	Puhurseade toiteseadmega Husqvarna 325iLK
Kaubamärk	Husqvarna
Tüüp/mudel	BA101
Identifitseerimine	Seerianumbrid alates 2022. aastast

vastab täielikult järgmistele EÜ direktiividele ja määrustele:

Määrus	Kirjeldus
2006/42/EÜ	„masinadirektiiv“
2000/14/EÜ	„seadmete müra kohta käiv direktiiv“
2011/65/EL	„elektri- ja elektroonikaseadmetes teatavate ohtlike ainete kasutamise piiramise direktiiv“

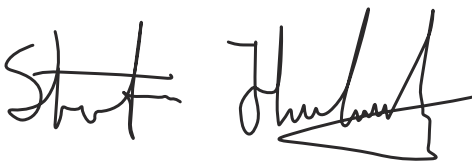
ja et kohalduvad järgmised standardid ja/või tehnilised spetsifikatsioonid: IEC 62841-4-6, EN ISO 12100:2021, EN IEC 63000:2018.

SMP Svensk Maskinprovning AB, Box 4053, SE-904 03 Umeå, Sweden on läbinud vabatahtliku tüübikontrolli kooskõlas 2006/42/EÜ IX lisaga. Sertifikaadi number: SEC/15/2416 – Husqvarna BA101.

SMP Svensk Maskinprovning AB on ka kinnitanud vastavust nõukogu direktiivi 2000/14/EÜ lisale V. Sertifikaadi number: 01/012/014.

Lisateavet mürataseme kohta vt *Tehnilised andmed lk 79*.

Huskvarna, 2022-05-09



Stefan Holmberg, uurimis- ja arendustegevuse juht,
tehnoloogiahooldus, Husqvarna AB

Tehnilise dokumentatsiooni eest vastutaja



Sisällys

Johdanto.....	83	Kuljettaminen, säilyttäminen ja hävittäminen.....	88
Turvallisuus.....	84	Tekniset tiedot.....	88
Käyttö.....	87	Vaatimustenmukaisuusvakuutus.....	90
Huolto.....	87		

Johdanto

Tuotekuvaus

Kehitämme jatkuvasti tuotteitamme ja pidätämme siksi itsellämme oikeuden muuttaa tuotteiden muotoa ja ulkonäköä ilman ennakoilmoitusta.

Huomautus: Tässä käyttöohjeessa käsitellään sekä bensiini- että akkukäyttöisiä laitteita.

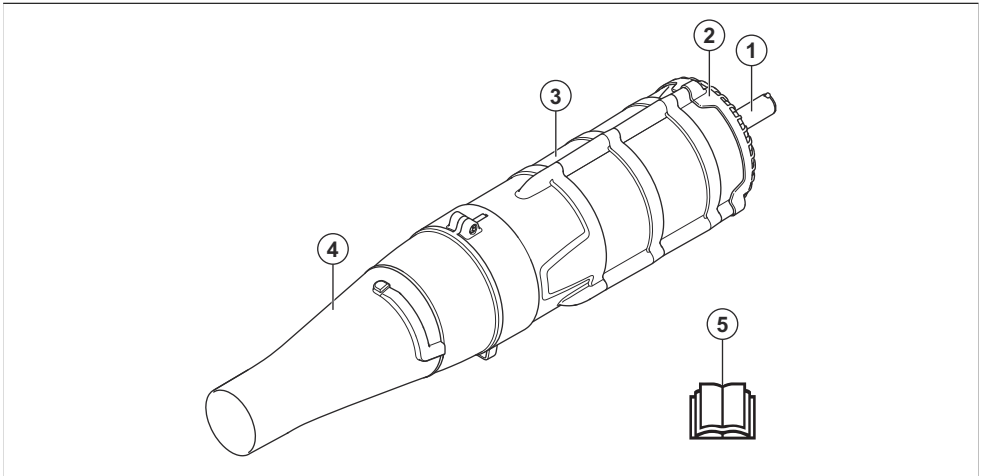
Käyttötarkoitus



VAROITUS: Lisälaitetta saa käyttää vain sille tarkoitetun käyttöaggregaatin kanssa. Katso lisävarusteita käsittelevä luku käyttöaggregaatin käyttöohjeesta.

Lisälaitte on tarkoitettu ainoastaan nurmikoiden, käytävien, asfaltiteiden ja vastaavien puhaltamiseen puhtaaksi.

Lisälaitteen yleiskatsaus



1. Runkoputki
2. Ilmansuodatin
3. Tuulettimen kotelo
4. Ilmasuutin
5. Käyttöohje



Lue käyttöohje huolellisesti ja varmista, että ymmärrät sen sisällön, ennen kuin alat käyttää lisälaitetta.



Lisälaitteen ja käyttöaggregaatin symbolit



Tämän lisälaitteen huolimaton käyttö tai väärinkäyttö voi aiheuttaa käyttäjälle tai sivullisille vakavia vammoja tai kuoleman.



Tämä lisälaitte täyttää sovellettavien EY-direktiivien vaatimukset.



Käytä hyväksytyjä kuulo-, silmä- ja hengityssuojaimia.



Käytä hyväksytyjä suojakäsineitä.



Melupäästöt ympäristöön -tarra EU:n ja Yhdistyneen kuningaskunnan direktiivien ja säädösten mukaisesti sekä Uuden Etelä-Walesin "Protection of the Environment Operations (Noise Control) Regulation 2017" -asetuksen mukaisesti. Tuotteen taattu äänitehotaso on määritetty

kohdassa *Tekniset tiedot sivulla 88* ja kilvessä.



Lehtipuhaltimen käyttäjän on varmistettava, että ihmiset ja eläimet ovat vähintään 15 metrin etäisyydellä koneesta työn aikana. Kun useita laitteita käytetään samassa paikassa, on käyttäjien välisen turvaetäisyyden oltava vähintään 15 metriä. Lehtipuhallin voi singota rajulla voimalla esineitä, ja ne voivat kimmota takaisin. Se voi johtaa vakaviin silmävammoihin, mikäli suositeltuja suojaimia ei käytetä.

Huomautus: Muita lisälaitteen tunnuksia/tarroja tarvitaan tietyillä markkina-alueilla ilmaisemaan erityisiä sertifiointivaatimuksia.

Turvallisuus

Turvallisuusmääritelmät

Varoituksia, huomioita ja huomautuksia käytetään, kun jotakin käyttöohjeen osaa halutaan erityisesti korostaa.



VAROITUS: Tätä käytetään, jos käyttöohjeen noudattamatta jättämisestä voi seurata käyttäjän tai sivullisen vamma tai kuolema.



HUOMAUTUS: Tätä käytetään, jos käyttöohjeen noudattamatta jättämisestä voi seurata tuotteen ja/tai lisälaitteen, muiden materiaalien tai ympäristön vaurioituminen.

Huomautus: Tätä käytetään tietyissä tilanteissa tarvittavien lisätietojen antamiseen.

Puutarhapuhaltimen, puutarhaimurin ja puutarhapuhallin/-imurin turvallisuusvaroitukset

- **Tarkasta virtajohto ja jatkojohto ennen käyttöä vaurioiden tai kulumisen varalta.** Älä kosketa johtoa ennen kuin virransyöttö on katkaistu. Älä käytä konetta, jos johto on vaurioitunut tai kulunut. Vaurioitunut virtajohto voi aiheuttaa sähköiskun vaaran, tulipalon ja/tai vakavia vammoja.
- **Älä käytä ruohonleikkuria epäsuotuisissa sääolosuhteissa, etenkin jos salamointi on mahdollista.** Näin pienennät salamaniskujen riskiä.
- **Käytä aina suojalaseja ja kuulonsuojaimia.** Asianmukaiset suojavarusteet vähentävät henkilövahinkojen riskiä.

- **Käytä aina koneen käytön aikana luistamattomia suojajalkineita. Älä käytä konetta avojaloin tai avoimet sandaalit jalassa.** Tämä vähentää jalkojen loukkaantumisen vaaraa.
- **Älä käytä löysiä vaatteita tai asusteita, kuten huiveja, nauhoja, ketjuja ja solmioita. Ilmanottoaukot voivat imeä ne sisäänsä. Sido tai peitä pitkät hiukset varmistaaksesi, että ilmanottoaukot eivät ime niitä tuotteen sisään.** Jos jokin edellä mainituista joutuu ilmanottoaukkoihin, se voi lisätä henkilövahinkojen riskiä.
- **Pidä sivulliset poissa, kun käytät konetta.** Lentävät roskat voivat lisätä henkilövahinkojen riskiä.
- **Älä koskaan osoita lehtipuhaltimen suutinta ihmisten, lemmikkien tai ikkunoiden suuntaan. Käytä erityistä varovaisuutta, kun puhallat rosia lähellä kiinteitä esineitä, kuten puuta, autoja ja seiniä. Roskat saattavat kimmota niistä. Lentelevät esineet voivat aiheuttaa omaisuusvahinkoja ja lisätä henkilövahinkojen riskiä.**
- **Älä osoita lehtipuhallinta kohti mitään palavaa tai savuavaa, kuten savukkeita, tullikkuja tai kuumaa tuhkaa.** Nämä syyttymislähteet voivat lisätä tulipalon vaaraa.
- **Älä koske tuulettimeen sen vielä pyöriessä. Sammuta lehtipuhallin ja odota, kunnes tuuletin pysähtyy, ennen kuin irrotat tuuletinta suojaavia osia.** Tämä vähentää liikkuvista osista aiheutuvan loukkaantumisen riskiä.
- **Varmista, että virtakytin on pois päältä, kun poistat jumiutunutta materiaalia tai huollat lehtipuhallinta.** Koneen käynnistäminen vahingossa juuttunutta ainesta irrottaessa tai konetta huoltaessa voi johtaa vakavaan henkilövahinkoon.

Yleiset turvallisuusohjeet



VAROITUS: Lue seuraavat turvaohjeet ennen lisälaitteen käyttämistä.

- Lue käyttöohje huolellisesti ja varmista, että ymmärrät sen sisällön, ennen kuin alat käyttää lisälaitetta.
- Käyttöohjetta on luettava yhdessä käyttöaggregaatin käyttöohjeen kanssa, jotta käyttäjä saa kaikki tarvittavat tiedot.
- Lisälaitteen rakennetta ei missään tapauksessa saa muuttaa ilman valmistajan lupaa. Älä käytä lisälaitetta, mikäli epäilet jonkun muun tehneen siihen muutoksia. Käytä aina alkuperäisiä lisävarusteita. Hyväksymättömien muutosten ja/tai lisävarusteiden käyttö voi aiheuttaa käyttäjälle tai muille vakavia vammoja tai kuoleman.

Turvallisuusohjeet käyttöä varten



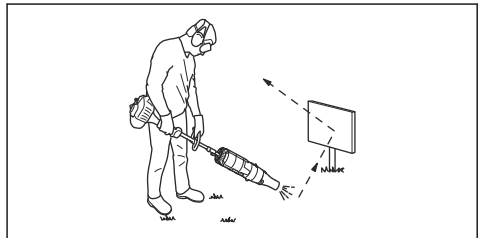
VAROITUS: Lue seuraavat varoitukset ennen tuotteen käyttöä.



VAROITUS: Tuote muodostaa käytön aikana sähkömagneettisen kentän. Kenttä saattaa joissakin olosuhteissa häiritä aktiivisten tai passiivisten lääketieteellisten implanttien toimintaa. Vakavien tai hengenvaarallisten tapaturmien ehkäisemiseksi kehotamme lääketieteellisiä implanteja käyttäviä henkilöitä neuvottelemaan lääkärin ja lääketieteellisen implantin valmistajan kanssa ennen laitteen käyttämistä.

- Älä koskaan käytä tuotetta, jos olet väsynyt, jos olet sairas, jos olet juonut alkoholia tai nauttinut muita päihdyttäviä aineita tai jos käytät lääkkeitä, jotka voivat vaikuttaa näköösi, arviointikykyysi tai koordinaatioosi.
- Älä koskaan käytä viallista laitetta.
- Kaikkien koteloiden ja suojusten on oltava asennettuina ennen käynnistystä. Jos tuote on bensiinikäyttöinen, ehkäise sähköiskuja varmistamalla, että syytystulpan suojuus ja syytysjohdin ovat vahingoittumattomat.
- Lehtipuhaltimen käyttäjän on varmistettava, että ihmiset ja eläimet ovat vähintään 15 metrin etäisyydellä koneesta työn aikana. Kun useita laitteita käytetään samassa paikassa, on käyttäjien välisen turvaetäisyyden oltava vähintään 15 metriä.
- Älä koskaan anna lasten käyttää laitetta.
- Älä koskaan anna kenenkään käyttää tuotetta varmistamatta ensin, että käyttäjä on lukenut ja ymmärtänyt käyttöohjeen sisällön.
- Älä koskaan irrota ilmasuodatinta.

- Älä koskaan koske syytystulppaan tai -kaapeliin moottorin käydessä. Syytystulpan tai pistokkeen koskettaminen voi aiheuttaa sähköiskun.
- Ota yhteyttä paikallisviranomaisiin ja varmista, että noudatat sovellettavia määräyksiä.
- Pidä kaikki kehon osat poissa kuumilta pinnoilta.
- Jos olet epävarma mistään laitteen käyttöön liittyvästä asiasta, kysy neuvoa asiantuntijalta. Käännä jälleenmyyjän tai huoltoliikkeen puoleen. Älä tee mitään sellaista, mihin et katso taitojesi riittävän.
- Pidä puhallusputken suu mahdollisimman lähellä maata. Hyödynnä puhallusputken koko pituus, jotta ilmavirta pysyy lähellä maanpintaa.
- Vältä ylimääräistä häiriötä käyttämällä konetta vain normaalien työtuntien puiteissa. Vältä työskentelyä aikaisin aamulla tai myöhään illalla.
- Tarkkaile ympäristöäsi. Jos joku lähestyy työaluetta, vapauta kaasun/käyttöliipaisin, kunnes henkilöt ovat turvallisen välimatkan päässä. Kohdistaa ilmasuihku pois päin ihmisistä, eläimistä, leikkipaikoista, avoimista ikkunoista, autoista jne. Voimakas ilmavirta voi heittää tai singota mukanaan kiviä, likaa tai puunpalasia, jotka voivat satuttaa ihmisiä tai eläimiä, rikkoa ikkunoita tai aiheuttaa muunlaista vahinkoa.
- Älä koskaan laita käsiäsi tai mitään esineitä puhaltimen koteloon välttääksesi pyörivän siipipyörän aiheuttamat vakavat vammat.
- Pidä ulkopinta puhtaana öljystä ja polttoaineesta.
- Älä levitä koneella kemikaaleja, lannoitteita tai muita aineita, jotka voivat sisältää myrkyllisiä aineita.
- Älä käytä laitetta lehtien tai risujen polton, tulipesien, grillien, tuhkakuppien ja vastaavien läheisyydessä, jotta vältät tulen leviämisen.
- Älä koskaan kastele tai ruiskuta laitetta vedellä tai muulla nesteellä.
- Pidä koneesta aina molemmin käsin kiinni. Pidä kone kehon sivulla.
- Jos tuote on bensiinikäyttöinen, anna moottorin jäähtyä ennen tankkaamista.
- Voimakas ilmavirta pystyy siirtämään esineitä niin suurella nopeudella, että ne voivat kimmota takaisin ja aiheuttaa vakavia silmävammoja.



- Pysäytä moottori ennen lisävarusteiden tai muiden osien asennusta tai irrottamista.
- Älä käytä tuotetta huonoissa sääolosuhteissa, kuten kovalla tuulella tai erittäin sumuisella, sateisella tai kylmällä säällä. Käyttö huonoissa sääolosuhteissa

on raskasta ja voi aiheuttaa vaaratilanteita, kuten liukastumisvaaran.

- Varmista, että voit liukua ja seistä turvallisesti. Katso, onko äkilliselle siirtymiselle esteitä (juuria, kiviä, oksia, kuoppia, oja jne.). Noudata suurta varovaisuutta viettävässä maastossa työskennellessäsi.



- Älä koskaan laske tuotetta maahan moottorin käydessä, jos et pysty valvomaan sitä koko ajan.
- Jos tuote on bensiinikäyttöinen, moottorin pakokaasut sisältävät hiilimonoksidia, joka voi aiheuttaa häämyrkytyksen. Älä siis koskaan käynnistä tai käytä tuotetta sisällä tai tiloissa, joissa on puutteellinen ilmanvaihto.
- Lehtipuhallinta ei saa käyttää tikkailla tai telineillä seisten eikä korkeissa paikoissa (kuten katoilla). Tällainen käyttö voi johtaa vakavaan loukkaantumiseen.



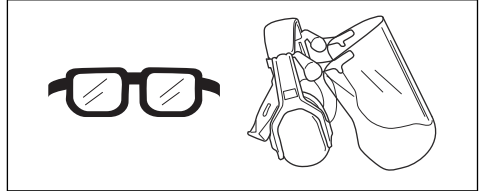
- Älä käytä tuotetta niin, ettei sinulla onnettomuustapauksessa ole mahdollisuutta kutsua apua.
- Älä koskaan aseta esineitä ilmanottoaukkoon, sillä tämä voi estää ilmaa virtaamasta ja aiheuttaa vaurioita laitteelle.
- Varmista, että tuote ei osu aitoihin, puihin tai muihin koviin materiaaleihin. Tällöin kone voi vaurioitua ja seurauksena voi olla vakava loukkaantuminen.
- Tarkkaile aina varoitussignaaleja ja -huutoja kuulonsuojaimia käyttäessäsi. Riisu kuulonsuojaimet välittömästi moottorin pysäytyksen jälkeen.

Henkilönsuojaimet

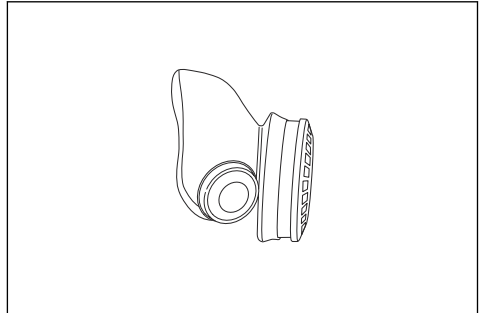


VAROITUS: Lue seuraavat varoitukset ennen tuotteen käyttöä.

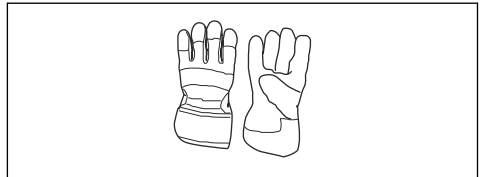
- Käytä aina hyväksytyjä henkilönsuojaimia, kun käytät laitetta. Henkilönsuojaimet eivät poista tapaturmien vaaraa, mutta ne lieventävät vammoja onnettomuustilanteessa. Anna jälleenmyyjän auttaa oikeiden varusteiden valinnassa.
- Käytä riittävän tehokkaasti vaimentavia hyväksytyjä kuulonsuojaimia. Pitkäaikainen altistuminen melulle saattaa aiheuttaa pysyviä kuulovaurioita.
- Käytä hyväksytyjä suojalaseja. Visiiriä käytettäessä on käytettävä myös hyväksytyjä suojalaseja. Hyväksytyillä suojalaseilla tarkoitetaan laseja, jotka täyttävät standardin ANSI Z87.1 (Yhdysvallat) tai EN 166 (EU-maat) vaatimukset.



- Käytä hengityssuojainta, jos on olemassa pölyvaara.



- Käytä käsineitä tarvittaessa esimerkiksi varusteiden asennuksen, tarkastuksen ja puhdistuksen aikana.



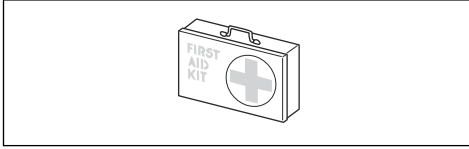
- Käytä luistamattomia ja tukevia saappaita tai kenkiä.



- Käytä vahvasta materiaalista valmistettuja vaatteita. Käytä aina vahvakankaisia pitkiä housuja ja

pitkähihaista takkia. Vältä liian löysiä vaatteita, jotka tarttuvat helposti risuihin ja oksiin. Älä pidä koruja, shortseja tai sandaaleja. Älä myöskään kulje paljain jaloin. Sido hiukset turvallisesti olkapäiden yläpuolelle.

- Pidä ensiaputarvikkeet helposti saatavilla.



Kunnossapitoon liittyvät turvallisuusohjeet



VAROITUS: Lue seuraavat varoitusohjeet ennen tuotteen käyttämistä.

Käyttö

Lisälaitteen käyttäminen

Huomautus: Ota huomioon alueella asuvat henkilöt välttämällä koneen käyttöä sopimattomina aikoina, esimerkiksi myöhään illalla tai aikaisin aamulla. Laske äänitasoa rajoittamalla yhtä aikaa käytettävien laitteiden määrää. Lue ja noudata alla olevia yksinkertaisia neuvoja, jotta häiritisit ympäristöäsi mahdollisimman vähän.

1. Irrota kiinni tarttuneet roskat maasta haravalla tai luudalla.
2. Puhdista nurkat aloittaen nurkasta ja edeten ulospäin. Tällä tavoin estät roskien kerääntymisen nurkkaan, josta ne voisivat lentää kasvoillesi.
3. Käytä lehtipuhallinta mahdollisimman pienellä kaasulla/nopeudella. Täyskaasua/-nopeutta tarvitaan vain harvoin. Monet työvaiheet voidaan tehdä puolikaasulla/-nopeudella. Pienempi kaasu/nopeus vähentää melua ja pölyä. Kerättävät/siirrettävät roskat on myös helpompi pitää hallinnassa.
4. Minimoi puhallusaika kostuttamalla pölyiset alueet kevyesti tai käyttämällä ruiskulaitetta.

Tarkista laite kokonaisuudessaan ennen käyttöä. Katso huoltokaavio.

Noudata tässä käyttöohjeessa annettuja kunnossapito- ja huolto-ohjeita. Tietyt kunnossapito- ja huoltotyöt on annettava koulutettujen ja pätevien asiantuntijoiden tehtäviksi. Katso ohjeet kohdasta Huolto.

Tarkista aina ennen työn aloittamista, ettei ilmasuodatin ole tukossa.

Tee asennus- ja purkutoimenpiteet lähellä maan pintaa, jotta tuote ei vaurioidu, mikäli se putoaa.

5. Vähennä vedenkulutusta käyttämällä puhaltimia vesiletukujen sijaan nurmikon ja puutarhanhoidon eri käyttötarkoituksiin kuten säleikköjen, verkkojen, ritilöiden ja verantojen puhdistukseen.
6. Ole varovainen työskennellessäsi lähellä istutuksia. Voimakas ilmavirtaus voi vahingoittaa arkoja kasveja.
7. Ilmasuihkun nopeutta säädetään kaasu-/käyttöliipaisimella. Valitse nopeus sopivaksi kunkin käyttötarkoituksen mukaan.
8. Tarkkaile tuulensuuntaa. Työskentele tuulen suuntaan työn helpottamiseksi.
9. Lehtipuhaltimen käyttö suurten kasojen siirtämiseen on aikaavievää ja aiheuttaa tarpeetonta melua.
10. Seiso tasapainoisessa ja tukevassa asennossa.
11. Jätä putken ja maan väliin tyhjää tilaa, jotta putki ei osu maahan laitetta käytettäessä.
12. Siivoa jälkesi. Varmista, ettet ole puhaltanut roskia kenenkään tontille. Hävitä roskat muiden jätteiden mukana.
13. Työn jälkeen laitetta säilytetään vaaka-asennossa.

Huolto

Johdanto

Alla on annettu joitakin yleisiä hoito-ohjeita. Jos tarvitset lisäohjeita, ota yhteys huoltoliikkeeseen.

Lisälaitteen päivittäinen kunnossapito



VAROITUS: Pysäytä moottori aina ennen lisälaitteen huoltamista tai puhdistamista. Jos tuote on bensiinikäyttöinen, irrota syytyskaapeli syytystulpasta. Jos tuote on akkukäyttöinen, irrota akku.

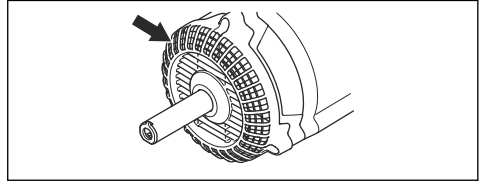


VAROITUS: Pidä kaikki kehon osat poissa kuumilta pinnoilta.

1. Puhdista puhaltimen ulkopinta.
2. Varmista, että missään osassa koteloa ei ole halkeamia.
3. Varmista, että tuote on moitteettomassa kunnossa.
4. Varmista, että kaikki ruuvit ja mutterit on kiristetty.
5. Puhdista tarrat kostealla liinalla ja miedolla puhdistusaineella.

Ilmanottosäleikön tarkistaminen

1. Tarkista kaikilta puolilta (myös alta), ettei ilmanottoaukko tukkeudu esimerkiksi lehdistä tai roskista. Tukkeutunut ilmanottoaukko vähentää laitteen puhallustehoja ja lisää moottorin työlämpötilaa, mikä voi johtaa moottorivaurioihin. Pysäytä moottori ja poista tukkeuma.



Kuljettaminen, säilyttäminen ja hävittäminen

Kuljetus ja säilytys

Tee seuraavat toimenpiteet jokaisen käytön jälkeen:

- Anna laitteen jäähtyä ennen varastointia tai kuljetusta.
- Säilytä korkealla viileässä ja kuivassa sisätilassa poissa lasten ulottuvilta.

VARASTOINTI

Valmistele laite varastointia varten käyttökauden päättyessä tai jos sitä ei käytetä ainakaan kuukauteen. Jos puhallin varastoidaan pitkäksi aikaa:

- Puhdista laite.

- Tarkista, ettei laitteesta ole irronnut osia ja ettei mikään osa ole vaurioitunut. Kiristä löystyneet ruuvit.
- Vaihda vaurioituneet, kuluneet tai rikkoutuneet osat.
- Täytä laitteeseen seuraavan käyttökauden alussa tuoretta polttoainetta, jonka bensiinin ja öljyn suhde on oikea.

Hävittäminen

- Noudata paikallisia kierrätysvaatimuksia ja säädöksiä.
- Kun tuote tulee elinkaarensa päähän, hävitä tuote lähettämällä se Husqvarna-jälleenmyyjälle tai kierrätyspisteeseen.

Tekniset tiedot

Bensiinikäyttöisten laitteiden tekniset tiedot

BA101	
Paino	
Paino, kg	1,9
Melupäästöt	
Äänentehotaso, mitattu dB(A)	111
Äänentehotaso, taattu L _{WA} dB(A)	114
Äänitasot ⁵⁷	
Vastaava äänenpainetaso käyttäjän korvan tasalla mitattuna standardin EN15503 mukaan, dB(A)	99

⁵⁷ Vastaava äänenpainetaso lasketaan niin, että työkäytöstä 1/7 on joutokäyntiä ja 6/7 tehokäyttöä. Ilmoitetuilla tiedoilla vastaavasta laitteen äänenpainetasosta tyypillinen tilastollinen hajonta (vakiopoikkeama) on 1 dB(A).

BA101	
Tärinätasot ⁵⁸	
Kahvojen vastaavat tärinätasot ($a_{hv,eq}$) mitattuna standardin EN 15503 mukaan, m/s^2	
Etu-/takakahvat:	5,6/8,3
Puhallusteho ⁵⁹	
Maks. ilmannoisuus vakiosuuttimella, m/s:	46
Ilmanvirtaus vakiosuuttimella, m^3/min	14

Akkukäyttöisen tuotteen tekniset tiedot

325iLK + Blower attachment BA101	
Paino	
Paino, kg	2,3 + 1,9
Melupäästöt ⁶⁰	
Äänentehotaso, mitattu dB(A)	103
Äänentehotaso, taattu L_{WA} dB(A)	106
Äänitasot ⁶¹	
Äänenpainetaso käyttäjän korvan tasalla mitattuna standardin ISO 26868 mukaan, dB(A)	
Varustettu hyväksytyllä lisävarusteella (alkuperäinen), dB(A)	93
Tärinätasot ⁶²	
Kahvojen tärinätasot mitattuna standardin EN 62841-1 mukaan, m/s^2	
Varustettu hyväksytyllä lisävarusteella (alkuperäinen), vasen/oikea m/s	1,6/1,1
Puhallusteho ⁶³	
Normaalitilan ilmavirtaus vakiosuuttimella, m^3/min	14
Ilman enimmäisnopeus normaalitilassa vakiosuuttimella, m/s:	45

⁵⁸ Vastaava tärinätasot lasketaan niin, että työkäytöstä 1/7 on joutokäyntiä ja 6/7 tehokäyttöä. Vastaavasta tärinätasosta ilmoitettujen tietojen tyypillinen tilastollinen hajonta (vakiopoikkeama) on 1 m/s^2 .

⁵⁹ 525LKG/C2225C-moottoriyksikön kanssa.

⁶⁰ Melupäästö ympäristöön äänitehona (L_{WA}) EY-direktiivin 2000/14/EY mukaisesti mitattuna. Laitteen ilmoitettu äänentehotaso on mitattu käyttäen alkuperäistä terälaitetta, joka antaa suurimman äänentehotason. Taatun ja mitatun äänitehoneron on se, että taattu ääniteho sisältää myös mitatun tuloksen hajonnan ja vaihtelun saman mallin eri laitteiden välillä direktiivin 2000/14/EY mukaisesti.

⁶¹ Ilmoitetuilla tiedoilla koneen äänenpainetasosta tyypillinen tilastollinen hajonta (vakiopoikkeama) on 3 dB(A). Taso on mitattu käyttäen alkuperäistä lisälaitetta, joka antaa suurimman äänentehotason. Mitattu yhdessä 325iLK-moottoriyksikön kanssa.

⁶² Tärinätasolle ilmoitetuissa tiedoissa tyypillinen tilastollinen hajonta (vakiopoikkeama) on 2 m/s^2 . Käytä akku- ja polttomoottori käyttöisten tuotteiden tärinätasojen vertailussa tärinälaskuria. Katso <https://www.husqvarna.com/uk/services-solutions/vibration-calculator/>. Mitattu yhdessä 325iLK-moottoriyksikön kanssa.

⁶³ Mitattu yhdessä 325iLK-moottoriyksikön kanssa.

Vaatimustenmukaisuusvakuutus

EU-vaatimustenmukaisuusvakuutus

Husqvarna AB, SE-561 82 Huskvarna, Ruotsi, puh. +46
36 146500, vakuuttaa täten, että tuote:

Kuvaus	Puhallinlisiälaite
Tuotemerkki	Husqvarna
Tyyppi/malli	BA101
Tunniste	Sarjanumerot vuodesta 2022 alkaen

vastaavat täysin seuraavien EU:n direktiivien ja
asetusten vaatimuksia:

Asetus	Kuvaus
2006/42/EC	konedirektiivi
2000/14/EC	Melupäästödirektiivi
2011/65/EU	Direktiivi tiettyjen vaarallisten aineiden käytön rajoittamisesta sähkö- ja elektroniikkalaitteissa

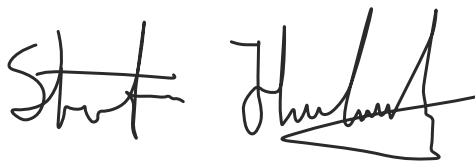
ja että asiassa sovelletaan seuraavia standardeja ja/tai
teknisiä tietoja: EN 15503:2009+A2:2015, EN ISO
12100:2021, EN IEC 63000:2018.

SMP Svensk Maskinprovning AB, Box 4053, SE-904
03 Umeå, Sweden on suorittanut direktiivin 2006/42/EY
liitteen IX mukaisen vapaaehtoisen tyyppitarkastuksen.

Sertifikaatin numero: SEC/15/2416 – Husqvarna BA101.

Katso lisätietoja melupäästöistä osiosta *Tekniset tiedot*
sivulla 88.

Huskvarna, 2022-05-09



Stefan Holmberg, Tuotekehityspäällikkö, Technology
Management, Husqvarna AB

Teknisestä dokumentaatiosta vastaava edustaja



EU-vaatimustenmukaisuusvakuutus

Husqvarna AB, SE-561 82 Huskvarna, Ruotsi, puh. +46
36 146500, vakuuttaa täten, että tuote:

Kuvaus	Puhallinlisiälaite ja tehoyksikkö Husqvarna 325iLK
Tuotemerkki	Husqvarna
Tyyppi/malli	BA101
Tunniste	Sarjanumerot vuodesta 2022 alkaen

vastaavat täysin seuraavien EU:n direktiivien ja
asetusten vaatimuksia:

Asetus	Kuvaus
2006/42/EC	konedirektiivi
2000/14/EC	Melupäästädirektiivi
2011/65/EU	Direktiivi tiettyjen vaarallisten aineiden käytön rajoittamisesta sähkö- ja elektroniikkalaitteissa

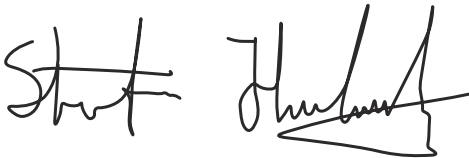
ja että asiassa sovelletaan seuraavia standardeja ja/tai
tekniisiä tietoja: IEC 62841-4-6, EN ISO 12100:2021, EN
IEC 63000:2018.

SMP Svensk Maskinprovning AB, Box 4053, SE-904
03 Umeå, Sweden on suorittanut direktiivin 2006/42/EY
liitteen IX mukaisen vapaaehtoisen tyyppitarkastuksen.
Sertifikaatin numero: SEC/15/2416 – Husqvarna BA101.

.SMP Svensk Maskinprovning AB, on myös
vahvistanut vaatimustenmukaisuuden neuvoston
direktiivin 2000/14/EY liitteen V mukaisesti. Sertifikaatin
numero: 01/012/014.

Katso lisätietoja melupäästöistä osiosta *Tekniset tiedot*
sivulla 88.

Huskvarna, 2022-05-09



Stefan Holmberg, Tuotekehityspäällikkö, Technology
Management, Husqvarna AB

Teknisestä dokumentaatiosta vastaava edustaja



Sommaire

Introduction.....	92	Transport, entreposage et mise au rebut.....	97
Sécurité.....	93	Caractéristiques techniques.....	98
Utilisation.....	96	Déclaration de conformité.....	100
Entretien.....	97		

Introduction

Description du produit

Nous travaillons continuellement au développement de nos produits et nous réservons le droit d'en modifier, entre autres, la conception et l'aspect sans préavis.

Remarque: Le présent manuel concerne à la fois les blocs d'alimentation fonctionnant à l'essence et ceux alimentés par batterie.

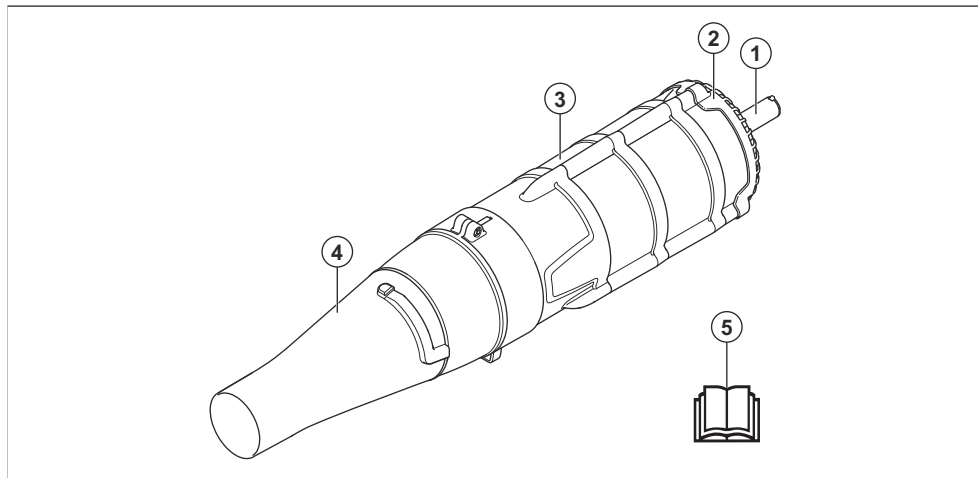
Utilisation prévue



AVERTISSEMENT: cet accessoire est conçu pour être utilisé uniquement avec le bloc d'alimentation correspondant. Reportez-vous au chapitre sur l'accessoire du manuel d'utilisation du bloc d'alimentation.

L'accessoire est conçu uniquement pour le nettoyage des pelouses, des allées, des routes goudronnées et voies similaires.

Présentation de l'accessoire



1. Arbre
2. Grille d'entrée d'air
3. Logement de ventilateur
4. Buse d'air
5. Manuel d'utilisation

Symboles sur l'accessoire et le bloc d'alimentation



Une utilisation erronée ou négligente de cet accessoire peut occasionner des blessures graves, voire mortelles, pour l'opérateur ou d'autres personnes.



Avant d'utiliser l'accessoire, lisez attentivement le manuel de l'opérateur et assimilez les instructions qu'il contient.



Cet accessoire est conforme aux directives CE en vigueur.



Utilisez des protège-oreilles, des protections pour les yeux et un masque respiratoire homologués.



Utilisez des gants de protection homologués.



Étiquette relative aux émissions sonores dans l'environnement selon les directives et réglementations européennes et du Royaume-Uni et la législation de la Nouvelle-Galles du Sud « Protection of the Environment Operations (Noise Control) Regulation 2017 ». Le niveau de puissance sonore garanti du produit est spécifié dans la section *Caractéristiques techniques à la page 98* et sur l'étiquette.



L'opérateur du souffleur doit veiller à ce qu'aucune personne ou aucun animal ne se trouve à moins de 15 mètres. Lorsque plusieurs opérateurs partagent le même lieu de travail, la distance de sécurité doit être de 15 mètres au minimum. Le souffleur peut projeter violemment des objets pouvant ricocher. Ceci peut provoquer de graves blessures aux yeux si l'équipement de protection personnel recommandé n'est pas utilisé.

Remarque: Les autres symboles/autocollants présents sur l'accessoire concernent des exigences de certification spécifiques à certains marchés.

Sécurité

Définitions de sécurité

Des avertissements, des recommandations et des remarques sont utilisés pour souligner des parties spécialement importantes du manuel d'utilisation.



AVERTISSEMENT: Symbole utilisé en cas de risque de blessures ou de mort pour l'opérateur ou les personnes à proximité si les instructions du manuel ne sont pas respectées.



REMARQUE: Symbole utilisé en cas de risque de dommages pour le produit et/ou l'accessoire, d'autres matériaux ou les environs si les instructions du manuel ne sont pas respectées.

Remarque: Symbole utilisé pour donner des informations supplémentaires pour une situation donnée.

Avertissements de sécurité relatifs au souffleur, à l'aspirateur et à l'aspirateur-souffleur

- **Avant utilisation, vérifiez le cordon d'alimentation et la rallonge pour repérer tout signe de dommage ou de vieillissement.** Ne touchez pas le cordon avant de l'avoir débranché du secteur. N'utilisez pas la machine si le cordon est endommagé ou usé. Un cordon d'alimentation endommagé peut provoquer une électrocution, un incendie et/ou des blessures graves.
- **N'utilisez pas la machine par mauvais temps, en particulier lorsqu'il y a un risque de foudre.** Cela permet de réduire le risque d'être frappé par la foudre.
- **Portez toujours des protections pour les yeux et un casque anti-bruit.** Un équipement de protection adéquat réduira le risque de blessure.
- **Lors de l'utilisation de la machine, portez toujours des chaussures de protection et antidérapantes.** N'utilisez pas la machine si vous êtes pieds nus ou

si vous portez des sandales. Vous réduisez ainsi le risque de blessures au niveau des pieds.

- **Ne portez pas de vêtements amples ou d'accessoires tels que des écharpes, des chaînes, des cravates, etc., qui pourraient être aspirés dans les entrées d'air. Si vous avez des cheveux longs, attachez-les ou couvrez-les pour éviter qu'ils ne soient aspirés par les entrées d'air.** Si l'un de ces éléments est aspiré par les entrées d'air, cela peut augmenter le risque de blessure.
- **Maintenez les enfants et autres personnes présentes à l'écart pendant l'utilisation de la machine.** Les débris projetés peuvent augmenter le risque de blessures.
- **Ne dirigez jamais la buse du souffleur de feuilles vers des personnes, des animaux ou vers les fenêtres. Soyez particulièrement prudent lorsque vous soufflez des débris à proximité d'éléments fixes, tels que des arbres, des véhicules et des murs, qui peuvent faire rebondir les débris.** Les objets projetés peuvent endommager les biens et augmenter le risque de blessures.
- **N'utilisez pas la machine pour souffler des objets brûlants ou incandescents, comme des cigarettes, des allumettes ou des cendres chaudes.** Ces sources d'inflammation peuvent augmenter le risque d'incendie.
- **Ne touchez pas le ventilateur lorsque celui-ci est en mouvement. Arrêtez la machine et attendez que le ventilateur s'arrête avant de retirer toute pièce pouvant donner accès au ventilateur.** Vous réduisez ainsi le risque de blessures dues aux pièces mobiles.
- **Lors du retrait des débris végétaux coincés ou de l'entretien de la machine, assurez-vous que l'interrupteur d'alimentation est en position d'arrêt.** Un démarrage inattendu de la machine lorsque vous dégagez les débris végétaux coincés ou que vous procédez à l'entretien peut entraîner de graves blessures.

Instructions générales de sécurité



AVERTISSEMENT: lisez les consignes de sécurité qui suivent avant d'utiliser l'accessoire.

- Lisez attentivement et assimilez le manuel d'utilisation avant d'utiliser l'accessoire.
- Lisez ce manuel d'utilisation ainsi que le manuel d'utilisation du bloc d'alimentation pour obtenir toutes les informations destinées à l'utilisateur.
- Ne modifiez jamais l'accessoire sans l'autorisation du fabricant. N'utilisez pas un accessoire qui semble avoir été modifié par un tiers et utilisez toujours des accessoires d'origine. Des modifications non autorisées et/ou l'emploi d'accessoires non homologués peuvent provoquer des accidents graves, voire mortels, à l'opérateur ou d'autres personnes.

Instructions de sécurité pour le fonctionnement



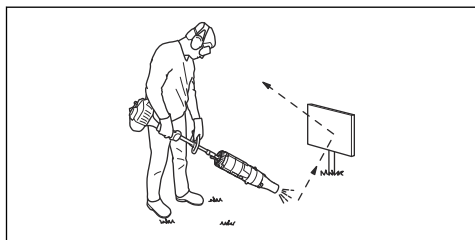
AVERTISSEMENT: lisez les instructions qui suivent avant d'utiliser le produit.



AVERTISSEMENT: Ce produit génère un champ électromagnétique durant son fonctionnement. Ce champ peut dans certaines circonstances perturber le fonctionnement d'implants médicaux actifs ou passifs. Pour réduire le risque de blessures graves ou mortelles, les personnes portant des implants médicaux doivent consulter leur médecin et le fabricant de leur implant avant d'utiliser cet appareil.

- N'utilisez jamais le produit en cas de fatigue, de maladie, d'ingestion d'alcool, de drogues ou de certains médicaments pouvant agir sur la vision, la capacité de jugement ou la coordination.
- N'utilisez jamais un produit s'il est défectueux.
- Tous les couvercles et toutes les protections doivent être montés avant le démarrage. Si vous disposez d'un produit fonctionnant à l'essence, vérifiez que le capuchon de la bougie et le câble d'allumage ne sont pas endommagés afin d'éviter tout risque de choc électrique.
- L'opérateur du souffleur doit veiller à ce qu'aucune personne ou aucun animal ne se trouve à moins de 15 mètres. Lorsque plusieurs opérateurs partagent le même lieu de travail, la distance de sécurité doit être de 15 mètres au minimum.
- Ne laissez jamais un enfant utiliser le produit.
- Ne laissez jamais d'autres personnes utiliser le produit sans vous être assuré au préalable que ces personnes ont bien lu et compris le contenu du manuel de l'opérateur.
- Ne retirez jamais la grille d'entrée d'air.
- Ne touchez jamais la bougie ou le câble d'allumage lorsque le moteur tourne. Si vous touchez la bougie ou la fiche, vous risquez de subir un choc électrique.
- Consultez toujours les autorités locales et assurez-vous d'appliquer les réglementations en vigueur.
- Maintenez toutes les parties de votre corps à distance des surfaces chaudes.
- En cas de doute concernant la marche à suivre, consultez un expert. Adressez-vous à votre revendeur ou à votre atelier d'entretien. Évitez les tâches pour lesquelles vous ne vous sentez pas suffisamment qualifié.
- Maintenez l'embout du tube de soufflage le plus près possible du sol. Utilisez toute la longueur du tube de soufflage afin de maintenir le courant d'air proche du sol.

- Utilisez la machine pendant les heures de travail habituelles, afin d'éviter les nuisances inutiles. Évitez de travailler tôt le matin ou tard le soir.
- Soyez conscient de l'environnement qui vous entoure. Si une personne s'approche de votre zone de travail, relâchez la gâchette d'accélération/de puissance jusqu'à ce que cette personne se trouve à une distance sûre. Dirigez le souffleur de feuilles loin des personnes, animaux, aires de jeux, fenêtres ouvertes, voitures, etc. La force de l'air peut projeter ou faire ricocher des pierres, des débris ou des bâtons, ce qui peut blesser les personnes ou animaux à proximité, casser les vitres ou causer d'autres dommages.
- Ne mettez jamais les mains ou n'introduisez jamais d'objets à l'intérieur du boîtier du souffleur de feuilles. La turbine en rotation peut être la cause de blessures graves.
- Veillez à ce que les surfaces extérieures soient exemptes de traces d'huile ou de carburant.
- N'utilisez jamais la machine pour l'épandage de produits chimiques, d'engrais ou d'autres substances pouvant contenir des produits toxiques.
- Pour éviter la propagation du feu, n'utilisez pas la machine près de feux de feuilles ou de broussailles, de cheminées, de barbecues, de cendriers, etc.
- N'aspérez jamais l'accessoire avec de l'eau ou un liquide quelconque.
- Tenez en permanence la machine des deux mains. Portez la machine sur le côté du corps.
- Si vous disposez d'un produit fonctionnant à l'essence, laissez le moteur refroidir avant le remplissage de carburant.
- Le puissant jet d'air peut déplacer des objets à une telle vitesse qu'ils peuvent, en cas de ricochet, causer de graves blessures aux yeux.



- Arrêtez le moteur avant le montage ou le démontage d'accessoires ou d'autres éléments.
- N'utilisez pas le produit par mauvais temps, tel qu'en cas de brouillard épais, de pluie diluvienne, de vent violent, de froid intense, etc. Travailler par mauvais temps est fatigant et peut créer des conditions de travail dangereuses, par exemple les surfaces peuvent être glissantes.
- Assurez-vous de pouvoir vous tenir debout et vous déplacer en toute sécurité. Repérez les éventuels obstacles autour de vous (racines, pierres, branches, fossés, etc.) au cas où vous devriez vous

déplacer soudainement. Observez la plus grande prudence lors de travail sur des terrains en pente.



- Ne posez jamais le produit au sol lorsque le moteur est en marche, sauf si vous pouvez le surveiller.
- Si vous disposez d'un produit fonctionnant à l'essence, les gaz d'échappement du moteur contiennent du monoxyde de carbone pouvant provoquer une intoxication. Ne démarrez ou n'utilisez donc jamais la machine à l'intérieur d'un bâtiment ou dans un lieu mal aéré.
- Le souffleur de feuilles ne doit pas être utilisé sur des échelles ou des échafaudages, ou d'autres endroits en hauteur (comme sur les toits). Cette action pourrait provoquer des blessures corporelles graves.



- N'utilisez pas le produit s'il n'est pas possible d'appeler au secours en cas d'accident.
- N'introduisez jamais d'objets dans la prise d'air pour ne pas entraver la circulation et causer des dommages à l'appareil.
- Assurez-vous que le produit ne heurte aucune clôture, arbre ou autre matériau dur. Ceci pourrait endommager la machine et entraîner de graves blessures.
- Restez attentif aux signaux d'alerte ou aux appels lorsque vous portez des protège-oreilles. Enlevez toujours vos protège-oreilles dès que le moteur s'arrête.

Équipement de protection individuel

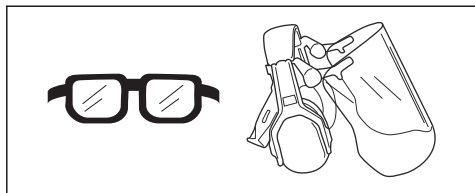


AVERTISSEMENT: lisez les instructions qui suivent avant d'utiliser le produit.

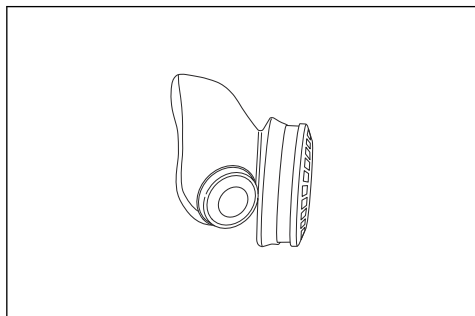
- Portez toujours un équipement de protection individuel homologué lorsque vous utilisez le produit. L'équipement de protection individuel ne protège

pas complètement des blessures, mais il diminue la gravité des blessures en cas d'accident. Faites appel à votre revendeur pour vous aider à sélectionner l'équipement adéquat.

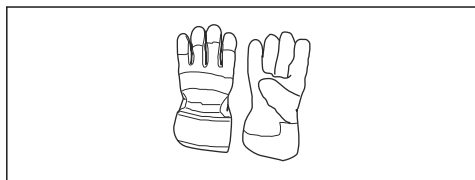
- Portez des protège-oreilles homologués ayant un effet atténuateur suffisant. Une exposition prolongée au bruit risque de causer des lésions auditives permanentes.
- Utilisez des protections pour les yeux homologuées. L'usage d'une visière doit toujours s'accompagner du port de lunettes de protection homologuées. Les lunettes de protection doivent être conformes aux normes ANSI Z87.1 (États-Unis) ou EN 166 (pays de l'UE).



- Utilisez une protection respiratoire lorsqu'il y a un risque de présence de poussières.



- Portez des gants si nécessaire, par exemple lorsque vous fixez, examinez ou nettoyez l'équipement.



- Utilisez des bottes ou des chaussures antidérapantes solides.



- Portez des vêtements fabriqués dans un matériau résistant. Portez toujours des pantalons longs, épais et des manches longues. Ne portez pas de vêtements amples qui risqueraient de se prendre dans les brindilles et les branches. Ne portez pas de bijoux, de shorts, de sandales et ne marchez pas pieds nus. Attachez vos cheveux de façon sécurisée au-dessus de vos épaules.
- Gardez toujours une trousse de premiers soins à portée de main.



Instructions de sécurité pour l'entretien



AVERTISSEMENT: Lisez les avertissements et instructions qui suivent avant d'utiliser le produit.

Effectuez une inspection générale du produit avant de l'utiliser. Consultez le programme d'entretien.

Suivez les instructions de maintenance et d'entretien indiquées dans ce manuel. Certaines opérations de maintenance et d'entretien doivent être réalisées par un spécialiste dûment formé et qualifié. Voir les instructions à la section Entretien.

Vérifiez toujours qu'aucun objet n'obstrue la grille d'entrée d'air avant de commencer le travail.

Afin d'éviter tout dommage du produit en raison de sa chute, le montage et le démontage doivent être effectués au plus près du sol.

Utilisation

Utilisation de l'accessoire

Remarque: Respecter les voisins en évitant d'utiliser la machine à des heures indues comme par exemple tard le soir ou tôt le matin. Réduisez les niveaux sonores en limitant le nombre d'équipements utilisés simultanément. Lire attentivement et suivre les

conseils ci-dessous afin de déranger les voisins le moins possible.

1. Utiliser un râteau ou un balai pour dégager les déchets enfouis dans le sol.

2. Nettoyez les coins en commençant dans l'angle et en progressant vers l'extérieur. Ceci évitera l'accumulation de débris qui pourraient être projetés vers votre visage.
3. Utilisez le souffleur sur le régime/la vitesse le/la plus faible. L'utilisation du régime/de la vitesse maximal(e) est rarement nécessaire et de nombreux travaux peuvent être effectués à demi-régime/vitesse. L'utilisation d'un régime/d'une vitesse plus faible signifie moins de bruit et moins de poussière. Cela permet également de contrôler plus facilement les déchets à rassembler/déplacer.
4. Réduisez la durée de soufflage en humidifiant légèrement les zones poussiéreuses ou en utilisant un pulvérisateur.
5. Réduisez la consommation d'eau en utilisant des aspirateurs-souffleurs plutôt que des tuyaux à eau pour différentes applications sur la pelouse et dans le jardin, telles que les treillis, les filtres, les grilles, les vérandas, etc.
6. Utilisez l'appareil avec précaution à proximité de plantes. La puissance de l'air risque d'endommager les plantes délicates.
7. La vitesse du flux d'air se règle à l'aide de la gâchette d'accélération/de puissance. Sélectionner la vitesse la mieux adaptée à l'utilisation.
8. Tenir compte de la direction du vent. Le travail est plus facile s'il est effectué dans la direction du vent.
9. L'utilisation du souffleur pour déplacer des monticules importants de déchets prend beaucoup de temps tout en étant inutilement bruyante.
10. Soyez bien en équilibre, les pieds daplomb.
11. Maintenez une distance suffisante entre le tube et le sol pour éviter tout contact avec le sol lorsque vous travaillez avec la machine.
12. Nettoyer une fois le travail terminé. S'assurer que des déchets n'ont pas été accidentellement projetés dans un jardin voisin. Débarrassez-vous des débris dans une poubelle appropriée.
13. Une fois le travail terminé, remisez le produit en position horizontale.

Entretien

Introduction

Nous donnons ici quelques conseils d'entretien à caractère général. Pour plus d'informations, contacter l'atelier de réparation.

Entretien quotidien de l'accessoire



AVERTISSEMENT: arrêtez toujours le moteur avant de nettoyer ou d'effectuer l'entretien de l'accessoire. Si vous disposez d'un produit fonctionnant à l'essence, débranchez le câble d'allumage de la bougie. Si vous disposez d'un produit alimenté par batterie, retirez la batterie.



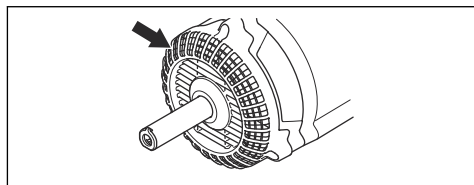
AVERTISSEMENT: Maintenez toutes les parties de votre corps à distance des surfaces chaudes.

1. Nettoyez la surface extérieure du souffleur.
2. Assurez-vous que tous les boîtiers sont exempts de fissures.
3. Assurez-vous que le produit est en parfait état de marche.

4. Assurez-vous que tous les écrous et les vis sont serrés.
5. Nettoyez les étiquettes avec un chiffon humide et un détergent doux.

Contrôle de la grille d'entrée d'air

1. Contrôlez que la prise d'air n'est bouchée sur aucun côté y compris en dessous, par des feuilles ou des débris par exemple. Une prise d'air bouchée réduit la capacité de soufflage du produit et augmente la température de fonctionnement du moteur, ce qui risque de provoquer une défaillance du moteur. Arrêtez le moteur et retirez les déchets bloquant l'entrée d'air.



Transport, entreposage et mise au rebut

Transport et rangement

Après chaque utilisation, procédez comme suit :

- Laissez l'appareil refroidir avant le remisage ou le transport.

- Rangez l'appareil hors de portée des enfants dans un lieu frais et sec.

- Au début de la saison suivante, utilisez exclusivement du carburant frais ayant les bonnes proportions essence/huile.

Remisage saisonnier

Préparez l'accessoire pour le remisage en fin de saison ou s'il ne doit pas être utilisé pendant une période de plus de 30 jours. Si l'accessoire aspirateur-souffleur doit être remisé pendant une période prolongée :

- Nettoyez l'unité.
- Vérifiez qu'aucune pièce n'est desserrée ou endommagée. Serrez les vis desserrées.
- Remplacez les pièces endommagées, usées ou cassées.

Mise au rebut

- Respectez les consignes locales de recyclage et la réglementation en vigueur.
- Lorsque vous n'utilisez plus le produit, renvoyez-le à un revendeur Husqvarna ou déposez-le dans une déchetterie.

Caractéristiques techniques

Caractéristiques techniques pour produits fonctionnant à l'essence

BA101	
Poids	
Poids, kg	1,9
Émissions sonores	
Niveau de puissance acoustique mesuré, dB (A)	111
Niveau de puissance acoustique garanti L _{WA} , dB (A)	114
Niveaux sonores ⁶⁴	
Niveau de pression sonore équivalent au niveau des oreilles de l'opérateur, mesuré selon la norme EN 15503 en dB(A)	99
Niveaux de vibrations ⁶⁵	
Niveaux de vibrations équivalents (a _{h_v,eq}) au niveau des poignées, mesurés selon la norme EN 15503, en m/s ²	
Poignées avant/arrière :	5,6/8,3
Performances du ventilateur ⁶⁶	
Vitesse d'air max. avec la buse standard, m/s :	46
Débit d'air pour la buse standard, m ³ /min	14

⁶⁴ Le niveau de pression sonore équivalent est calculé avec un cycle de travail d'une durée de 1/7 pour le ralenti, et 6/7 pour la course. Les données reportées pour le niveau de pression sonore équivalent pour la machine montrent une dispersion statistique typique (déviations standard) de 1 dB(A).

⁶⁵ Le niveau de vibration équivalent est calculé avec un cycle de travail d'une durée de 1/7 pour le ralenti, et 6/7 pour la course. Les données reportées pour le niveau de vibrations équivalent montrent une dispersion statistique typique (déviations standard) de 1 m/s².

⁶⁶ Avec le bloc moteur 525LK/GC2225C.

Caractéristiques techniques pour produits alimentés par batterie

325iLK + Blower attachment BA101	
Poids	
Poids, kg	2,3+1,9
Émissions sonores ⁶⁷	
Niveau de puissance acoustique mesuré, dB (A)	103
Niveau de puissance acoustique garanti L_{WA} , dB (A)	106
Niveaux sonores ⁶⁸	
Niveau de pression sonore au niveau des oreilles de l'opérateur, mesuré selon la norme ISO 26868 en dB(A)	
Équipé d'un accessoire homologué (d'origine), dB (A)	93
Niveaux de vibrations ⁶⁹	
Niveaux de vibrations au niveau des poignées mesurés selon la norme EN 62841-1 en m/s^2	
Équipé d'un accessoire homologué (d'origine), gauche/droite, m/s	1,6/1,1
Performances du ventilateur ⁷⁰	
Flux d'air en mode normal avec buse standard, m^3/min	14
Vitesse maximale de l'air en mode normal avec la buse standard, m/s :	45

⁶⁷ Émissions sonores dans l'environnement mesurées comme puissance acoustique (L_{WA}) selon la directive européenne CE 2000/14/CE. Le niveau de puissance sonore reporté pour la machine a été mesuré avec l'accessoire de coupe d'origine qui atteint le niveau le plus élevé. La différence entre le niveau de puissance sonore garanti et le niveau mesuré réside dans le fait que le niveau garanti prend également en compte la dispersion et les variations d'une machine à l'autre du même modèle, conformément à la directive 2000/14/CE.

⁶⁸ Les données reportées pour le niveau de pression acoustique de la machine ont une dispersion statistique typique (déviat ion standard) de 3 dB (A) et ont été mesurées avec l'équipement d'origine qui donne le niveau le plus élevé. Mesures effectuées avec le bloc moteur 325iLK.

⁶⁹ Les données reportées pour le niveau de vibrations montrent une dispersion statistique typique (déviat ion standard) de 2 m/s^2 . Pour comparer les niveaux de vibrations, la batterie et les produits de combustion utilisent le calculateur de vibrations. Reportez-vous à <https://www.husqvarna.com/uk/services-solutions/vibration-calculator/>. Mesures effectuées avec le bloc moteur 325iLK.

⁷⁰ Mesures effectuées avec le bloc moteur 325iLK.

Déclaration de conformité

Déclaration de conformité UE

Nous, **Husqvarna AB**, SE-561 82 Huskvarna, Suède,
tél : +46-36-146500, déclarons sous notre entière
responsabilité que le produit :

Description	Accessoire pour souffleur
Marque	Husqvarna
Type/Modèle	BA101
Identification	Les numéros de série à partir de 2022 et ultérieurs

est entièrement conforme à la réglementation et aux
directives de l'UE suivantes :

Réglementation	Description
2006/42/CE	« relative aux machines »
2000/14/EC	« relative aux émissions sonores dans l'environnement »
2011/65/UE	« relative à la limitation de l'utilisation de certaines substances dangereuses au sein d'équipements électriques et électroniques »

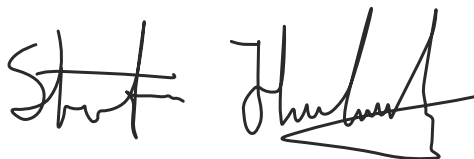
et que les normes et/ou les spécifications techniques
suivantes sont appliquées : EN 15503:2009+A2:2015,
EN ISO 12100:2021, EN IEC 63000:2018.

SMP Svensk Maskinprovning AB, Box 4053, SE-904 03
Umeå, Sweden a effectué un examen de type volontaire
conformément à l'annexe IX de la directive 2006/42/CE.

Numéro de certificat : SEC/15/2416 – Husqvarna
BA101.

Pour toute information relative aux émissions sonores,
veuillez consulter la section *Caractéristiques techniques*
à la page 98.

Huskvarna, 2022-05-09



Stefan Holmberg, Directeur R&D, gestion de la
technologie, Husqvarna AB

Responsable de la documentation technique



Déclaration de conformité UE

Nous, **Husqvarna AB**, SE-561 82 Huskvarna, Suède,
tél : +46-36-146500, déclarons sous notre entière
responsabilité que le produit :

Description	Accessoire pour souffleur avec bloc d'alimentation Husqvarna 325iLK
Marque	Husqvarna
Type/Modèle	BA101
Identification	Les numéros de série à partir de 2022 et ultérieurs

est entièrement conforme à la réglementation et aux
directives de l'UE suivantes :

Réglementation	Description
2006/42/CE	« relative aux machines »
2000/14/EC	« relative aux émissions sonores dans l'environnement »
2011/65/UE	« relative à la limitation de l'utilisation de certaines substances dangereuses au sein d'équipements électriques et électroniques »

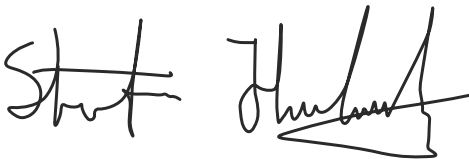
et que les normes et/ou les spécifications techniques
suivantes sont appliquées : IEC 62841-4-6, EN ISO
12100:2021, EN IEC 63000:2018.

SMP Svensk Maskinprovning AB, Box 4053, SE-904 03
Umeå, Sweden a effectué un examen de type volontaire
conformément à l'annexe IX de la directive 2006/42/CE.
Numéro de certificat : SEC/15/2416 – Husqvarna
BA101.

SMP Svensk Maskinprovning AB, a également vérifié la
conformité avec l'annexe V de la directive du conseil
2000/14/EG. Numéro de certificat : 01/012/014.

Pour toute information relative aux émissions sonores,
veuillez consulter la section *Caractéristiques techniques*
à la page 98.

Huskvarna, 2022-05-09



Stefan Holmberg, Directeur R&D, gestion de la
technologie, Husqvarna AB

Responsable de la documentation technique



TARTALOMJEGYZÉK

Bevezető.....	102	Szállítás, tárolás és ártalmatlanítás.....	107
Biztonság.....	103	Műszaki adatok.....	107
Üzemeltetés.....	106	Megfelelőségi nyilatkozat.....	110
Karbantartás.....	107		

Bevezető

Termékleírás

Folyamatosan fejlesztjük termékeinket, ezért fenntartjuk a jogot a termékek kialakításának és megjelenésének előzetes figyelmeztetés nélküli megváltoztatására.

Megjegyzés: A jelen kézikönyv a benzines és az akkumulátoros tápegységekre egyaránt vonatkozik.

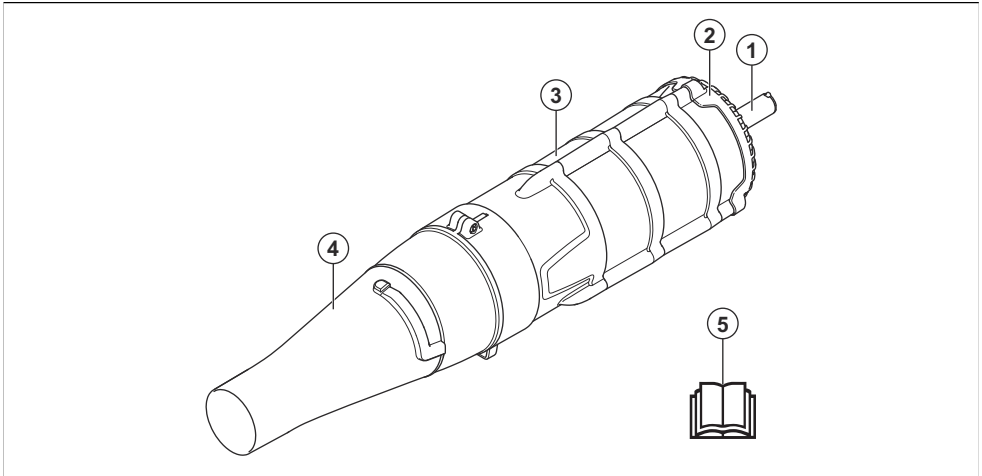
Rendeltetésszerű használat



FIGYELMEZTETÉS: Ez a tartozék csak a megadott tápegységgel együtt használható. Tekintse meg a tápegység használati utasításában található, a tartozékokkal kapcsolatos fejezetet.

A tartozék kizárólag pázsiton, ösvényen, aszfaltúton és hasonló felületeken végzett lombfűvésésre alkalmas.

A tartozék áttekintése



1. Nyél
2. Levegőbeömlő rács
3. Ventilátorház
4. Levegőcső
5. Használati utasítás

A tartozék és a tápegység szimbólumai



A tartozék nem körültekintő vagy helytelen használata a kezelő vagy más személyek súlyos vagy halálos sérülését okozhatja.



Olvassa el figyelmesen a használati utasítást, és győződjön meg róla, hogy megértette azt a tartozék használatba vétele előtt.



Ez a tartozék megfelel a vonatkozó EK irányelveknek.



Használja a jóváhagyott fülvédőt, védőszemüveget. és légzésvédőt.



Használjon jóváhagyott védőkesztyűt.



Az EU és az Egyesült Királyság irányelveinek és jogszabályainak, és New South Wales „Környezetben történő munkavégzés szabályozása (zajszabályozás), 2017” irányelvének megfelelő környezeti zajkibocsátási címke. A termék garantált hangteljesítményszintjére vonatkozó adatok megtalálhatók a *Műszaki*

adatok 107. oldalon című fejezetben és a címkén.



A lombfúvó kezelője ügyeljen arra, hogy se ember, se állat ne jöjjön 15 m-nél közelebb. Ha ugyanazon a munkaterületen többen is dolgoznak, legalább 15 méteres biztonsági távolságot kell tartani. A lombfúvó nagy erővel fújhat ki tárgyakat, melyek visszapatannhatnak. Ez a javasolt biztonsági felszerelés használatának mellőzése esetén súlyos szem-sérülést okozhat.

Megjegyzés: A tartozékon szereplő többi jel/címke egyes piacok specifikus vizsgáztatási követelményeire vonatkozik.

Biztonság

Biztonsági meghatározások

A figyelmeztetések, óvintézkedések és megjegyzések a használati utasítás kiemelten fontos részeire hívják fel a figyelmet.



FIGYELMEZTETÉS: Akkor használatos, ha a kézikönyv utasításainak be nem tartása esetén fennáll a kezelő vagy a közelben tartózkodók sérülésének vagy halálának veszélye.



VIGYÁZAT: Akkor használatos, ha a kézikönyv utasításainak be nem tartása esetén fennáll a vagyoni kár, illetve a termék és/vagy a tartozék vagy a környező területen lévő anyagok károsodásának veszélye.

Megjegyzés: További információt biztosít az adott helyzetben szükséges tennivalókról.

Kerti fúvókészülék, kerti porszívó és a kerti fúvókészülékhez/porszívóhoz tartozó biztonsági figyelmeztetések

- **Használat előtt ellenőrizze, hogy nem lát-e sérülést vagy kopás nyomait a táp- vagy a hosszabbítókábelben.** Ne érjen hozzá a kábelhez, amíg le nem választotta a hálózatról. A gépet ne használja abban az esetben, ha a kábel sérült vagy kopott. A sérült tápkábel áramütést, tüzet és/vagy súlyos sérülést okozhat.
- **Rossz időjárási körülmények között – főleg villámlás veszélye esetén – ne használja a gépet.** Ez csökkenti a villámcsapás veszélyét.
- **Viseljen szem- és fülvédő felszerelést.** A megfelelő védőfelszerelés csökkenti a személyi sérülések kockázatát.
- **A gép működtetése közben mindig viseljen csúszásmentes munkavédelmi lábbelit. Ne használja a gépet meztelb vagy nyitott szandálban.** Ez csökkenti a lábak sérülésének kockázatát.
- **Ne viseljen laza ruházatot vagy olyan tárgyakat, amelyeket a lombfúvó a légbeszívó nyíláson keresztül beszívhat, például sálát, zsinégeket, láncot, nyakkendőt stb. Ha hosszú a haja, kösse össze vagy takarja el, hogy biztosan ne kerüljön a légbeszívó nyílásba.** Ha ilyen tárgy kerül a légbeszívó nyílásba, az növelheti a személyi sérülés kockázatát.
- **A gép működtetése közben tartsa távol a járólakókat.** A kirepülő hulladék növelheti a személyi sérülés kockázatát.
- **Soha ne irányítsa a lombfúvó fúvókáját emberek, állatok vagy ablakok felé. Legyen különösen óvatos, amikor szilárd tárgyak, például fák, autók és falak közelében fúj hulladékokat, mivel roncsolhatja azokat.** A kirepülő tárgyak roncsolhatják az értéktárgyakat és növelhetik a személyi sérülés kockázatát.
- **Ne fújjon a géppel égő, füstölő dolgokat, például cigarettát, gyufát vagy forró hamut.** Ezek a gyújtóforrások növelhetik a tűzveszélyt.
- **Ne érintse meg a ventilátort, amíg mozgásban van. Kapcsolja ki a gépet, és várja meg, amíg a ventilátor leáll, mielőtt bármilyen olyan alkatrészt eltávolítana, amely hozzáférést biztosít a ventilátorhoz.** Ez csökkenti a mozgó alkatrészek okozta sérülések kockázatát.
- **Az elakadt anyagok eltávolításakor vagy a gép szervizelésekor ellenőrizze, hogy a főkapcsoló ki van-e kapcsolva.** A gép váratlan, a beakadt anyagok eltávolítása vagy a szervizelés során

történi bekapcsolódása súlyos személyi sérüléshez vezethet.

Általános biztonsági utasítások



FIGYELMEZTETÉS: A tartozék használata előtt olvassa el a biztonsági utasításokat.

- Olvassa el figyelmesen a használati utasítást, és győződjön meg róla, hogy megértette azt a tartozék használatba vétele előtt.
- A teljes körű felhasználói információk megértése érdekében a jelen használati utasítást a tápegység használati utasításával együtt kell elolvasni.
- A tartozék kivételzésén a gyártó cég engedélye nélkül semmilyen módosítást sem szabad végezni. Ne használjon olyan tartozékokat, amelyet esetleg módosítottak, és mindig eredeti kiegészítőket használjon. Nem engedélyezett módosítások és/vagy pótalkatrészek komoly sérülésekhez vagy halálos balesetekhez vezethetnek.

Biztonsági utasítások az üzemeltetéshez



FIGYELMEZTETÉS: A termék használata előtt olvassa el az alábbi figyelmeztetéseket.

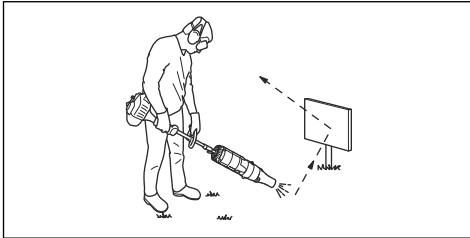


FIGYELMEZTETÉS: A termék működés közben elektromágneses mezőt hoz létre. Ez bizonyos körülmények esetén hatással lehet az aktív vagy passzív orvosi implantátumokra. A súlyos vagy halálos sérülés kockázatának csökkentése érdekében azt javasoljuk, hogy az orvosi implantátumot használó személyek a termék alkalmazása előtt kérjék ki orvosuk vagy az orvosi implantátum gyártójának tanácsát.

- Soha ne engedje meg senkinek a termék használatát, amíg nem győződött meg arról, hogy az illető elolvasta és megértette a használati utasítás tartalmát.
- Soha ne vegye le a levegőbeömlő rácsot.
- Soha ne érintse meg a gyújtógyertyát vagy a gyújtáskábelt, amikor a motor működésben van. A gyújtógyertya vagy a gyertyapipa érintése áramütést okozhat.
- Mindig lépjen kapcsolatba a helyi hatóságokkal, és győződjön meg arról, hogy betartja a vonatkozó irányelveket.
- Minden testrészét tartsa távol a forró felületektől.
- Ha munka közben elbizonytalanodik a munka folytatását illetően, kérje szakember tanácsát. Forduljon kereskedőhöz vagy márkaszervizhez. Ne használja a gépet olyan feladatok elvégzésére, amelyekhez úgy véli, nem rendelkezik elegendő szakértelemmel.
- A lombfúvó nyílását a lehető legközelebb tartsa a talajhoz. A fúvócső teljes hosszát használja fel, hogy a légáram a talaj közelében maradjon.
- A közelben élők szükségtelen megzavarásának elkerülése érdekében csak munkaidőben használja a gépet. Ne dolgozzon vele korán reggel vagy késő este.
- Ügyeljen a környezetére. Ha valaki megközelíti a munkaterületet, engedje fel a gázadagoló/ kapcsológombot, amíg az illető biztonságos távolságba nem kerül. A lombfúvót soha ne irányítsa emberek, állatok, játékerületek, nyitott ablakok, autók és hasonlók felé. A légfúvás erejénél fogva a kavicsok, szennyeződések, fadarabok elrepülhetnek vagy visszapatlanhatnak, ami emberek és állatok sérülését, üvegtörést, vagy egyéb károkat okozhat.
- A forgó lapátkeréktől származó súlyos sérülések elkerülése érdekében soha ne dugja be a kezét és ne tegyen semmilyen tárgyat a fúvótoldalék készülékházába.
- Tartsa a külső felületeket olajtól és üzemanyagtól mentesen.
- Soha ne használja vegyszer, műtrágya vagy más, mérgező anyagot tartalmazó vegyületek kiszórásához.
- A tűz elterjedésének megelőzése érdekében ne használja avar- vagy bozóttűz, tűzrakó hely, kerti sütő alkalmaságok, hamutartók stb. közelében.
- A toldalékot soha ne öntsön vagy fröcskölje le vízzel vagy más folyadékkal.
- Mindig két kézzel tartsa a gépet. Tartsa a gépet az oldala mellett.
- Benzines termék használata esetén tankolás előtt mindig hagyja lehűlni a motort.

- Soha ne használja a terméket, ha fáradt, ha beteg, ha alkoholt fogyasztott, vagy ha látását, ítéliképességét vagy mozgáskoordinációját befolyásoló gyógyszert vett be.
- Soha ne használjon olyan terméket, amely hibás.
- A gép beindítása előtt az összes burkolatot és védőlemezt fel kell szerelni. Benzines termék esetén az áramütés veszélyének elkerülése érdekében győződjön meg arról, hogy a gyújtógyertya-pipa és a gyújtáskábel nem sérült.
- A lombfúvó kezelője ügyeljen arra, hogy se ember, se állat ne jöjjön 15 m-nél közelebb. Ha ugyanazon a munkaterületen többen is dolgoznak, legalább 15 méteres biztonsági távolságot kell tartani.
- Soha ne engedje, hogy a terméket gyermek használja.

- Az erős légáram úgy felgyorsíthatja a tárgyakat, hogy azok visszapatpanva súlyos szemsérülést okozhatnak.



- Mielőtt tartozékot vagy egyéb alkatrészt szerelne fel vagy le, állítsa le a motort.
- Ne használja a terméket rossz időjárási körülmények között, például sűrű ködben, erős esőben, erős szélben, rendkívüli hidegben stb. A rossz időben való munkavégzés fárasztó, és veszélyes körülményeket, például csúszós felületeket eredményezhet.
- Gondoskodjon arról, hogy biztonságosan tudjon járni és állni. Nézzon körül és ellenőrizze lehetséges akadályok (például gyökerek, kövek, gödrök, árkok, stb.) jelenlétét, arra az esetre, ha hirtelen el kellene mozdulnia. Járjon el nagyon óvatosan, amikor lejtős talajon dolgozik.



- Járó motorral soha ne tegye le a terméket, hacsak nem tudja szemmel tartani azt.
- Benzines termék használata esetén a kipufogógázok szén-monoxidot tartalmaznak, ami szén-monoxid-mérgezést okozhat. Ezért a terméket zárt vagy rosszul szellőztetett helyen tilos elindítani vagy jártni.
- Létrán, állványzaton vagy magas helyen (pl. tetőn) tilos használni a lombfűvót. Ez a munka súlyos sérüléshez vezethet.



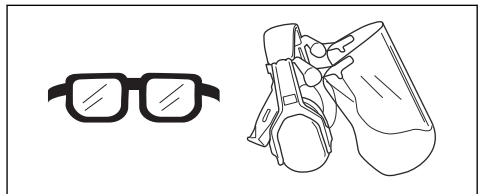
- Ne használja a terméket olyan körülmények között, amelyeknél baleset esetén nem lenne lehetősége segítséget hívni.
- Soha ne tegyen semmilyen tárgyat a légbeszívó nyílásba, mivel az gátolhatja a megfelelő légáramlást és tönkretelheti a gépet.
- Ügyeljen rá, hogy a termék ne érjen semmilyen kerítéshez, fához, vagy egyéb kemény anyaghoz. Ellenkező esetben a gép megsérülhet, valamint személyi sérülés is keletkezhet.
- Amikor fülvédőt visel, mindig figyeljen a figyelmeztető jelzésekre és hangokra. A motor leállítása után azonnal vegye le a fülvédőket.

Személyi védőfelszerelés

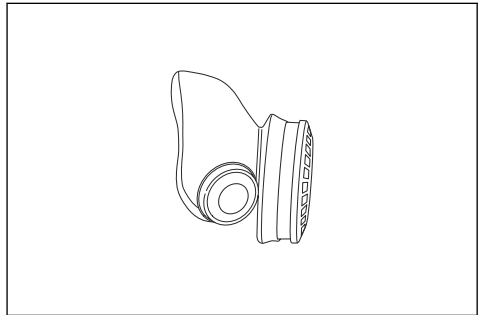


FIGYELMEZTETÉS: A termék használata előtt olvassa el az alábbi figyelmeztetéseket.

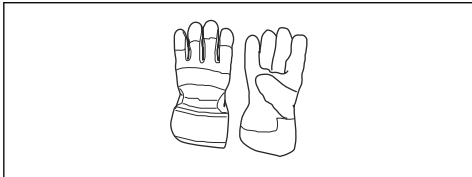
- A termék használata során viseljen jóváhagyott személyi védőfelszerelést. A személyi védőfelszerelés nem küszöböli ki teljes mértékben a sérülés kockázatát, de csökkenti a sérülés mértékét, ha bekövetkezik a baleset. A megfelelő felszerelés kiválasztásában kérje a márkakereskedő segítségét.
- Használjon elegendő hangtompító hatással rendelkező, jóváhagyott fülvédőt. Hosszú távon a tartós zajártalom maradandó halláskárosodást okozhat.
- Használjon jóváhagyott védőszemüveget. Ha arcvédőt használ, jóváhagyott védőszemüveget is kell viselnie. Jóváhagyott védőszemüvegek azok, amelyek megfelelnek az ANSI Z87.1 (USA) illetve EN 166 (EU-országok) szabványoknak.



- Por veszélye esetén viseljen légzésvédőt.



- Ha szükséges, viseljen kesztyűt – például a berendezés felhelyezésekor, ellenőrzésekor vagy tisztításakor.



- Viseljen stabil, csúszásgátló talppal ellátott csizmát vagy cipőt.



- Viseljen sűrű szövésű anyagból készült ruházatot. Vastag, hosszú nadrágot és hosszú ujjú felsőrészt viseljen. Ne viseljen bő ruházatot, mert az beakadhat a gallyakba és a bokrok ágaiba. Ne viseljen ékszereket, rövidnadrágot, szandált, illetve ne legyen mezítláb. Igazítsa haját vállmagasság fölé.

- Tartson elsősegélykészletet a közelben.



Biztonsági utasítások a karbantartáshoz



FIGYELMEZTETÉS: A termék használata előtt olvassa el az alábbi figyelmeztetéseket.

Használat előtt végezzen általános ellenőrzést a terméken. Lásd a karbantartási ütemezést.

Végezze el a jelen használati utasításban előírt karbantartási és szervizműveleteket. Bizonyos karbantartási és szervizmunkákat szakembernek kell végrehajtania. Lásd a Karbantartás című fejezetben leírtakat.

A munkamegkezdése előtt mindig ellenőrizze, nem blokkolja-e valami a levegőbeömlő rácsot.

A termék zuhanásából adódó károk elkerüléséhez az össze- és szétszerelést közel a talajhoz végezze.

Üzemeltetés

A tartozék használata

Megjegyzés: Legyen tekintettel a közelben lakókra, ne használja a gépet alkalmatlan időpontban, például késő este vagy korán reggel. Csökkentse a zajszintet az egy időben használt berendezések számának korlátozásával. Olvassa el és tartsa be az alábbi egyszerű tanácsokat, hogy minél kevésbé zavarja környezetét.

1. A talajra tapadt szemetet gereblyével vagy kefével lazítsa meg.
2. Sarkok takarításánál a sarokban kezdje a fújást, és kifelé haladjon. Így megelőzi, hogy összegyűljön a hulladék, ami az arcába repülhet.
3. Mindig a lehető legkisebb gázzal/sebességgel üzemeltesse a lombfúvót. Teljes gázra/sebességre ritkán van szükség, a legtöbb munka félgázon/-sebességen is elvégezhető. Kisebb gáz/sebesség használata kisebb zajjal és kevesebb porral jár, és az összegyűjtött vagy mozgatott szemet is jobban kezelhető így.
4. Minimalizálja a fűvási időt a poros területek enyhe benedvesítésével vagy permetezőberendezéssel.
5. Csökkentse a vízfelhasználást úgy, hogy a pázsit és kert körüli különféle alkalmazásokban víztömlő helyett légkompresszort használ, például a rácsok, grill, árnyékoló, veranda stb. tisztításához.
6. Növények közelében körültekintően dolgozzon. A légáramlás ereje megsértheti a gyenge növényeket.
7. A légáram sebessége a gázadagoló/kapcsológomb segítségével szabályozható. Mindig az adott munkához legmegfelelőbb sebességet válassza.
8. Ügyeljen a szélirányra. Könnyítse meg a munkát a szél kihasználásával.
9. A nagy halmok mozgatása a lombfúvóval túlzottan időigényes, és fölösleges zajjal jár.
10. Tartsa meg egyensúlyát, és álljon szilárdan.
11. Hagyjon teret a cső és a talaj között, valamint kerülje a talajjal való érintkezést a termékkel való munka közben.
12. Takarítson össze maga után. Győződjön meg róla, hogy ne fújt szemetet másnak a kertjébe. A hulladékot helyezze hulladékgyűjtőbe.
13. A terméket a munka befejezése után vízszintes helyzetben kell tárolni.

Karbantartás

Bevezető

Alább néhány általános karbantartási utasítást talál. További információkért forduljon az illetékes szakszervizhez.

A tartozék napi karbantartása



FIGYELMEZTETÉS: A tisztítás vagy a tartozékon végzett munkálatok megkezdése előtt mindig állítsa le a motort. Amennyiben benzines termékkel dolgozik, válassza le a gyújtáskábelt a gyújtógyertyáról. Amennyiben a termék akkumulátoros, távolítsa el az akkumulátort.



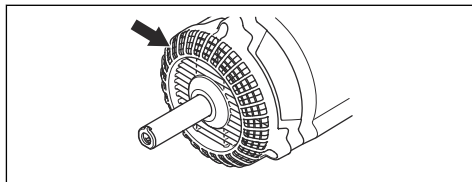
FIGYELMEZTETÉS: Minden testrészét tartsa távol a forró felületektől.

1. Tisztítsa meg a lombfúvó külső felületeit.
2. Az egész házon ellenőrizze, hogy nincsenek-e rajta repedések.
3. Ellenőrizze, hogy a termék teljes mértékben működőképes állapotban van-e.

4. Ellenőrizze, hogy az anyák és csavarok szorosan meg vannak-e húzva.
5. A készüléket enyhe hatású tisztítószerrel megnedvesített kendővel tisztítsa.

A levegőbeömlő rács ellenőrzése

1. Ellenőrizze, nem blokkolja-e valami (pl. levelek vagy szemét) a levegőbeömlő nyílást valamelyik oldalon, a berendezés alját is beleértve. A levegőbeömlő nyílás eltömődése esetén csökken a termék teljesítménye, és megemelkedik a motor működési hőmérséklete, ami a motor meghibásodásához vezethet. Állítsa le a motort, és szüntesse meg az eltömődést.



Szállítás, tárolás és ártalmatlanítás

Szállítás és tárolás

Minden használat előtt végezze el a következő műveleteket:

- Szállítás vagy tárolás előtt hagyja kihűlni a toldalékot.
- Magas, hűvös, száraz, beltéri helyen, gyermekektől elzárva tárolja.

Idényjellegű tárolás

Az idény végén, illetve ha legalább 30 napig nem fogja használni, készítse fel a tartozékot a tárolásra. Ha a fűvótoldalékot egy időre el kívánja tenni:

- Tisztítsa meg az egységet.

- Ellenőrizze, nincsenek-e a toldalékon sérült vagy laza alkatrészek. Húzza meg a kilazult csavarokat.
- Minden sérült, kopott vagy törött alkatrészt cseréljen ki.
- A következő idény kezdetén csak friss és a megfelelő benzin-olaj arány betartásával kevert üzemanyagot használjon.

Hulladékkezelés

- Kövesse a helyi újrahasznosítási előírásokat és a vonatkozó szabályozásokat.
- A már nem használt terméket, küldje vissza a Husqvarna kereskedőhöz, vagy adja le egy újrahasznosítási ponton.

Műszaki adatok

A benzines termékekre vonatkozó műszaki adatok

BA101	
Tömeg	
Tömeg, kg	1,9

BA101	
Zajkibocsátás	
Hangteljesítményszint, mért dB (A) érték	111
Hangteljesítményszint, garantált, L_{WA} dB (A)	114
Zajszintek ⁷¹	
A kezelő hallószervére gyakorolt, EN15503 szerint mért hangnyomásszint, dB(A)	99
Rezgésszintek ⁷²	
Az EN 15503 szerint mért ekvivalens rezgésszintek ($a_{hv,eq}$) a fogantyún, m/s^2	
Első/hátsó fogantyú:	5,6/8,3
Ventilátor teljesítménye ⁷³	
Max. levegősebesség normál fúvókával, m/s:	46
Légáram normál fúvókával, $m^3/perc$	14

Az akkumulátoros termékekre vonatkozó műszaki adatok

325iLK + Blower attachment BA101	
Tömeg	
Tömeg, kg	2,3+1,9
Zajkibocsátás ⁷⁴	
Hangteljesítményszint, mért dB (A) érték	103
Hangteljesítményszint, garantált, L_{WA} dB (A)	106
Zajszintek ⁷⁵	
A kezelő hallószervére gyakorolt, ISO 26868 szerint mért hangnyomásszint, dB (A)	
Jóváhagyott tartozékokkal ellátva (eredeti), dB (A)	93

⁷¹ Az ekvivalens zajnyomásszint értékét 1/7 rész alapjáratú és 6/7 rész teljes fordulatszámon való működésből álló munkaciklus alapján számítják ki. A gép ekvivalens hangnyomásszintjére vonatkozó jelentési adatok az 1 dB (A) tipikus statisztikus ingadozásával (szórásával) rendelkeznek.

⁷² Az ekvivalens rezgésszint értékét 1/7 rész alapjáratú és 6/7 rész teljes fordulatszámon való működésből álló munkaciklus alapján számítják ki. Az ekvivalens rezgésszintre vonatkozó jelentési adatok az 1 m/s^2 tipikus statisztikus ingadozásával (szórásával) rendelkeznek.

⁷³ Az 525LK/GC2225C motorosttel együtt.

⁷⁴ A környezetben a 2000/14/EK sz. EK irányelvvel összhangban hangteljesítményként mért zajkibocsátás (L_{WA}). A gép jelentősen szereplő hangteljesítményszintjét a legmagasabb szintet produkáló eredeti vágófel-szereléssel mérték. A garantált és a mért hangteljesítmény közötti különbségnek az az oka, hogy a garantált hangteljesítmény tartalmazza a mérési eredményben lévő ingadozást és az azonos modellű gépek közti eltéréseket is a 2000/14/EK jelű irányelv értelmében.

⁷⁵ A gép hangnyomásszintjére vonatkozó jelentési adatok a 3 dB (A) tipikus statisztikus ingadozásával (szórásával) rendelkeznek. A hangnyomásszint mérése a legmagasabb szintet produkáló eredeti felszereléssel történt. A 325iLK motoregységgel együtt mérve.

325iLK + Blower attachment BA101	
Rezgésszintek ⁷⁶	
Az EN 62841-1 szerint mért rezgésszintek a fogantyúban, m/s ²	
Jóváhagyott tartozékkal ellátva (eredeti), bal/jobbról, m/s	1,6/1,1
Ventilátor teljesítménye ⁷⁷	
Légáram normál üzemmódban, normál fúvókával, m ³ /perc	14
Maximális légsebesség normál üzemmódban, normál fúvókával, m/s:	45

⁷⁶ A rezgésszintre vonatkozó jelentési adatok 2 m/s² tipikus statisztikus ingadozással (szórással) rendelkeznek. A rezgésszintek, valamint az akkumulátorral, illetve az üzemanyaggal működő termékek összehasonlításához használja a rezgésterhelési kalkulátort. Lásd: <https://www.husqvarna.com/uk/services-solutions/vibration-calculator/>. A 325iLK motoregységgel együtt mérve.

⁷⁷ A 325iLK motoregységgel együtt mérve.

Megfelelőségi nyilatkozat

EU megfelelési nyilatkozat

A **Husqvarna AB**, SE-561 82 Huskvarna, Sweden (tel.: +46-36-146500), a saját felelősségére kijelenti, hogy a termék:

Leírás	Fűvótoldalék
Márka	Husqvarna
Típus/modell	BA101
Megjelölés	2022-as és újabb sorozatszámok

teljes mértékben megfelelnek a következő EU-irányelveknek és szabályozásoknak:

Szabályozás	Leírás
2006/42/EK	„gépre vonatkozó”
2000/14/EK	„környezeti zajkibocsátásra vonatkozó”
2011/65/EU	„az egyes veszélyes anyagok elektromos és elektronikus berendezésekben való alkalmazásának korlátozására vonatkozó”

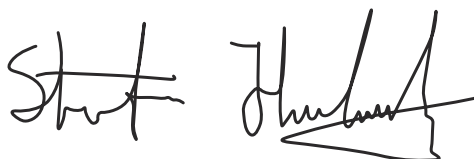
valamint hogy az alábbi szabványok és/vagy műszaki előírások kerültek alkalmazásra: EN 15503:2009+A2:2015, EN ISO 12100:2021, EN IEC 63000:2018.

A(z) SMP Svensk Maskinprovning AB, Box 4053, SE-904 03 Umeå, Sweden önkéntes típusvizsgálatot végzett a 2006/42/EK irányelv IX. melléklete szerint.

Tanúsítvány száma: SEC/15/2416 – Husqvarna BA101.

A zajkibocsátásra vonatkozó tájékoztatást illetően tekintse át a következőt: *Műszaki adatok107. oldalon.*

Huskvarna, 2022-05-09



Stefan Holmberg, K+F igazgató, Technológiai menedzsment, Husqvarna AB

A műszaki dokumentációk felelőse



EU megfelelési nyilatkozat

A **Husqvarna AB**, SE-561 82 Huskvarna, Sweden (tel.: +46-36-146500), a saját felelősségére kijelenti, hogy a termék:

Leírás	Fűvótoldalék Husqvarna 325iLK tápegységgel
Márka	Husqvarna
Típus/modell	BA101
Megjelölés	2022-as és újabb sorozatszámok

teljes mértékben megfelelnek a következő EU-irányelveknek és szabályozásoknak:

Szabályozás	Leírás
2006/42/EK	„gépre vonatkozó”
2000/14/EK	„környezeti zajkibocsátásra vonatkozó”
2011/65/EU	„az egyes veszélyes anyagok elektromos és elektronikus berendezésekben való alkalmazásának korlátozására vonatkozó”

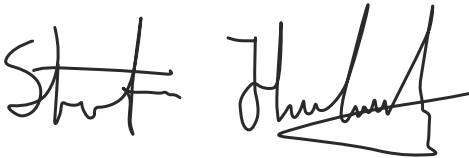
valamint hogy az alábbi szabványok és/vagy műszaki előírások kerültek alkalmazásra: IEC 62841-4-6, EN ISO 12100:2021, EN IEC 63000:2018.

A(z) SMP Svensk Maskinprovning AB, Box 4053, SE-904 03 Umeå, Sweden önkéntes típusvizsgálatot végzett a 2006/42/EK irányelv IX. melléklete szerint. Tanúsítvány száma: SEC/15/2416 – Husqvarna BA101.

A SMP Svensk Maskinprovning AB a tanács 2000/14/EK irányelve V. függelékének való megfelelést is igazolta. Tanúsítvány száma: 01/012/014.

A zajkibocsátásra vonatkozó tájékoztatást illetően tekintse át a következőt: *Műszaki adatok 107. oldalon.*

Huskvarna, 2022-05-09



Stefan Holmberg, K+F igazgató, Technológiai menedzsment, Husqvarna AB

A műszaki dokumentációk felelőse



TURINYS

Įvadas.....	112	Transportavimas, saugojimas ir utilizavimas.....	117
Sauga.....	113	Techniniai duomenys.....	117
Naudojimas.....	116	Atitikties deklaracija.....	119
Techninė priežiūra.....	116		

Įvadas

Gaminio aprašas

Mes nuolat siekiame tobulinti savo gaminius, pasilikdami sau teisę keisti jų formą ir išvaizdą be išankstinio pranešimo.

Pasižymėkite: Šiame vadove apžvelgiami tiek benzininis, tiek akumuliatorinis gaminys.

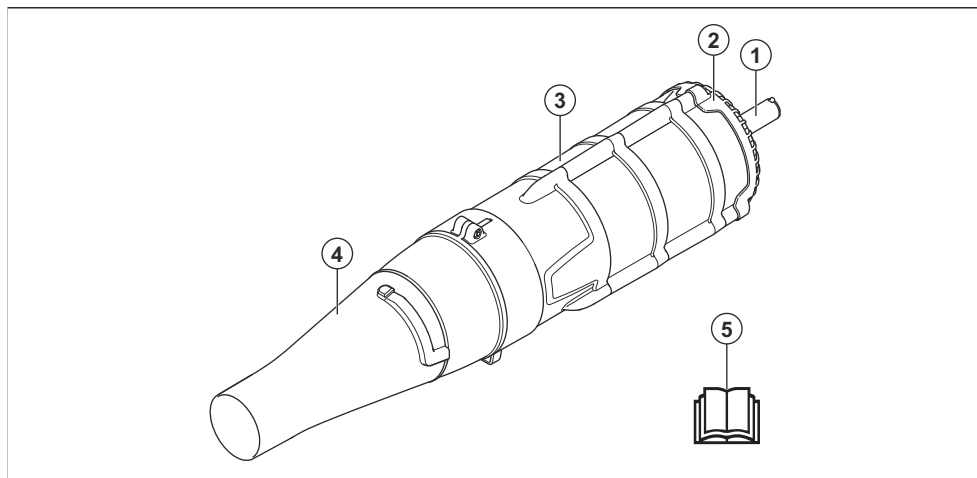
Numatytasis naudojimas



PERSPĖJIMAS: Šis priedas gali būti naudojamas tik su numatytu maitinimo bloku. Žr. maitinimo bloko naudojimo instrukcijos priedų skyrių.

Priedas skirtas tik vejoms, takams, asfaltuotiems keliams ir pan. valyti.

Priedo apžvalga.



1. Velenas
2. Oro įsiurbimo grotelės
3. Ventilatoriaus korpusas
4. Oro antgalis
5. Operatoriaus vadovas



Prieš naudodami priedą atidžiai perskaitykite naudojimo instrukciją ir įsitinkinkite, ar viską gerai supratote.



Simboliai ant įtaiso ir maitinimo bloko



Aplaidžiai ar netinkamai naudojant šį priedą gali būti sunkiai ar net mirtinai sužeistas naudotojas ar kiti žmonės.



Šis įtaisas atitinka jam taikomas EB direktyvas.



Naudokite patvirtintas apsaugines ausines, akių ir kvėpavimo apsaugos priemones.



Naudokite patvirtintas apsaugines pirštines.



Triukšmo emisijos į aplinką ženklėmis atitinka ES ir Jungtinės Karalystės direktyvas bei reglamentus ir Naujojo Pietų Velso įstatymą „2017 m. aplinkos apsaugos (triukšmo kontrolės) reglamentas“. Gaminio garantuotas

garso galios lygis nurodytas *Techniniai duomenys psl. 117* ir etiketėje.



Pūstuvo naudotojas turi stebėti, kad nei žmonės, nei gyvūnai neprisiartintų arčiau kaip 15 metrų atstumu. Jeigu toje pačioje vietoje dirba keli naudotojai, tarp jų reikia išlaikyti ne mažesnę kaip 15 metrų atstumą. Pūstuvo nupučiami daiktai gali atšokti atgal ir sunkiai sužaloti akis, jeigu nenaudojate rekomenduojamos saugos įrangos.

Pasižymėkite: Kiti ant priedo pateikti simboliai (lipdukai) skirti specialiems kai kurių rinkų sertifikavimo reikalavimams.

Sauga

Saugos ženklų reikšmės

[spėjimai, perspėjimai ir pastabos yra skirtos atkreipti dėmesį į ypač svarbias naudotojo instrukcijos dalis.



PERSPĖJIMAS: Naudojamas, kai naudotojui ar šalia esantiems asmenims kyla mirtino arba sunkaus sužeidimo pavojus arba, jei nesilaikoma naudotojo instrukcijoje pateiktų nurodymų.



PASTABA: Naudojamas, kai kyla pavojus sugadinti gaminį ir (arba) priedą, kitas medžiagas arba padaryti žalą aplinkai, jei nesilaikoma naudotojo instrukcijoje pateiktų nurodymų.

Pasižymėkite: Naudojama pateikti daugiau, nei būtina esamoje situacijoje, informacijos.

Sodo pūstuvo, sodo siurblio ir sodo pūstuvo / siurblio saugos nurodymai

- **Prieš naudodami patikrinkite, ar nepažeisti ir nesusidėvėję maitinimo laidas ir ilgintuvus.** Neliaskite laido, kol neatjungėte maitinimo. Nenaudokite įrenginio, jei laidas sugadintas arba nusidėvėjęs. Dėl pažeisto maitinimo laido gali kilti elektros smūgis, gaisras ir (arba) galima sunkiai susižaloti.
- **Nenaudokite įrenginio blogomis oro sąlygomis, ypač jei yra žaibo pavojus.** Taip sumažinsite pavojų būti nutrenktiems žaibo.
- **Dėvėkite akių ir ausų apsaugos priemones.** Naudojant tinkamas apsaugos priemones sumažėja sužeidimų rizika.
- **Dirbdami su gaminiu visada avėkite neslystančius apsauginius batus. Nenaudokite įrenginio basi**

arba avėdami atvirą avalynę. Taip sumažės pėdų sužeidimo pavojus.

- **Nedėvėkite laisvų drabužių ir tokių elementų kaip šalikai, dirželiai, grandinėles, kaklaraiščiai ir t. t., kurie gali būti įtraukti į oro įsiurbimo angas. Ilgus plaukus susiriškite arba prisidenkite, kad jie nepatektų į oro įsiurbimo angas.** Kuriam šių elementų patekus į oro įsiurbimo angas, didėja sužeidimų pavojus.
- **Naudojant įrenginį pašaliniai asmenys turi laikytis atokiau.** Dėl išmetamų šiukšlių didėja sužeidimų pavojus.
- **Niekada nenukreipkite lapų pūstuvo antgalio į žmones, augintinius arba į langus. Būkite labai atsargūs pūsdami šiukšles netoli kietų objektų, pavyzdžiui, medžių, automobilių ir sienų, nuo kurių šiukšlės gali atšokti.** Išmesti objektai gali sugadinti turtą ir didina sužeidimų pavojų.
- **Nenaudokite gaminio, kad nupūstumėte degančius arba rūkančius objektus, pvz., cigaretes, degtukus arba pelenus.** Šie uždegimo šaltiniai gali padidinti gaisro pavojų.
- **Neliaskite judančio ventilatoriaus. Išjunkite gaminį, palaukite, kol ventilatorius sustos, ir tik tada nuimkite bet kokias dalis, kad pasiektumėte ventilatorių.** Taip sumažės pavojus susižaloti dėl judančių dalių.
- **Valydami užstrigusią medžiagą ar atlikdami gaminio techninę priežiūrą, išitikinkite, kad maitinimo jungiklis yra išjungtas.** Netikėtai įsiungus įrenginiui, kai valoma užstrigusi medžiaga arba atliekama techninė priežiūra, galima sunkiai susižeisti.

Bendrieji saugos nurodymai



PERSPĖJIMAS: Prieš naudodami priedą, perskaitykite toliau esančius saugos nurodymus.

- Prieš naudodami priedą atidžiai perskaitykite naudojimo instrukciją ir įsitikinkite, ar viską gerai supratote.
- Ši naudojimo instrukcija turi būti perskaityta kartu su maitinimo bloko naudojimo instrukcija išsamiai naudotojo informacijai gauti.
- Be gamintojo leidimo jokių atveju negalima keisti originalios priedo konstrukcijos. Nenaudokite priedo, kurį galėjo modifikuoti kiti asmenys ir visada naudokite tik originalius priedus. Nesuderinti konstrukcijos pakeitimai bei nepritaikytos detalės gali sukelti rimtus kūno sužalojimus ir net mirtį.

Naudojimo saugos instrukcijos



PERSPĖJIMAS: Prieš naudodami gaminį, perskaitykite toliau esančius įspėjimus.

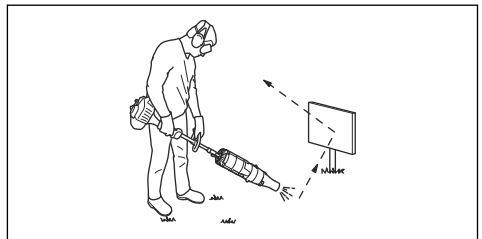


PERSPĖJIMAS: Šis gaminys veikdamas sukuria elektromagnetinį lauką. Tam tikromis aplinkybėmis šis laukas gali trikdyti aktyviųjų arba pasyviųjų medicininių implantų veiklą. Kad sumažėtų sunkaus ar netgi mirtino sužeidimo pavojus, medicininių implantų turintiems asmenims rekomenduojame prieš naudojant šį gaminį pasitarti su gydytoju ir implanto gamintoju.

- Gaminį draudžiama naudoti pavargus, susirgus, pavartojus alkoholio ar išgėrus vaistų, galinčių pabloginti regėjimą, sąmoningumą ar koordinaciją.
- Niekada nenaudokite techniškai netvarkingo gaminio.
- Prieš užvedant įrenginį visi gaubtai ir apsaugos privalo būti pritvirtinti. Jei naudojate benzinu varomą gaminį, patikrinkite, ar nepažeistas uždegimo žvakės antgalis ir uždegimo laidas, kad išvengtumėte elektros smūgio.
- Pūstuvo naudotojas turi stebėti, kad nei žmonės, nei gyvūnai neprisiartintų arčiau kaip 15 metrų atstumu. Jeigu toje pačioje vietoje dirba keli naudotojai, tarp jų reikia išlaikyti ne mažesnę kaip 15 metrų atstumą.
- Niekada neleiskite vaikams naudotis gaminiumi.
- Niekuomet niekam neleiskite naudoti gaminio prieš tai neįsitikinę, kad jie perskaitė ir suprato naudojimo instrukcijoje pateiktus nurodymus.
- Niekada nenuimkite oro įsiurbimo angos grotelių.
- Niekada nelieskite uždegimo žvakės ar uždegimo kabelio, kai variklis dirba. Palietus uždegimo žvakę arba kištuką, galima patirti elektros smūgį.
- Visada susisiekite su vietos valdžios įstaigomis pasitikrinti, ar laikotės galiojančių reikalavimų.
- Jokia kūno dalimi nesilieskite prie įkaitusių paviršių.
- Jei tam tikroje situacijoje nežinosite, kaip pasielgti, teiraukitės specialisto. Kreipkitės į prekybos atstovą ar techninės priežiūros centro specialistus.

Nesiimkite darbų, kurių nemokate ar jaučiatės nepakankamai kvalifikuoti.

- Pūstuvo angą laikykite kiek galima arčiau žemės. Išnaudokite visą pūstuvo vamzdžio ilgį, kad oro srautas judėtų pažeme.
- Naudokite mašiną normaliomis darbo valandomis, kad be reikalo netrikdytumėte ramybės. Venkite dirbti anksti iš ryto arba vėlai vakare.
- Stebėkite aplinką. Jeigu kas nors artinasi prie jūsų darbo zonos, atleiskite akceleratorių / maitinimo jungiklį, kol asmuo nutols per saugų atstumą. Pūstuva nukreipkite nuo žmonių, gyvūnų, žaidimų aikštelių, atidarytų langų, automobilių ir pan. Oro srauto jėga gali sviesti akmenis, nešvarumus ar pagalius arba jie gali atšokti ir sužeisti žmones ar gyvūnus, sudaužyti stiklą arba padaryti kitokios žalos.
- Kad besisukanti sparnuotė nesukeltų sunkių sužalojimų, joki būdu neikiškite į pūstuvo korpusą rankų ar kitų daiktų.
- Žiūrėkite, kad ant išorinių paviršių nepatektų alyvos ir degalų.
- Nenaudokite įrenginio purkšti chemikalams, trašoms ar kitiems preparatams, kuriuose gali būti toksinių medžiagų.
- Nenaudokite arti lapų laužo ar miško gaisro, židinių, kepimo duobių, peleninių ir pan., kad neišplistų ugnis.
- Šio priedo niekada nenardinkite ir neapliekite vandeniu ar kitu skysčiu.
- Įrenginį visada laikykite dviem rankom. Įrenginį laikykite prie kūno.
- Jei naudojate benzinu varomą gaminį, prieš pildami benzinau palikite variklį atvėsti.
- Stiprios oro srovės gali pakelti daiktus tokiu greičiu, kad jie gali atšokti atgal ir sunkiai sužaloti akis.

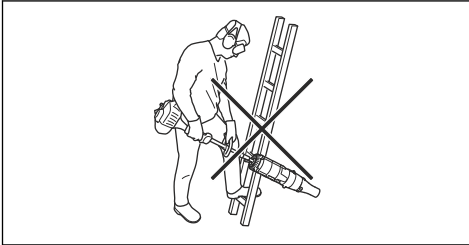


- Prieš montuodami ar nuimdami priedus ar kitas dalis išjunkite variklį.
- Nenaudokite gaminio prastomis oro sąlygomis, pavyzdžiui, tirštame rūke, stipriai lyjant, pučiant stipriam vėjui, stipriai šalant ir pan. Darbas blogomis oro sąlygomis vargina ir gali susidaryti pavojingos darbo sąlygos, pavyzdžiui, slidūs paviršiai.
- Įsitikinkite, kad galite laisvai stovėti ir judėti. Apžiūrėkite, ar jūsų darbo vietoje nėra kliūčių, pavyzdžiui, išsikišusių medžių šaknų, akmenų, šakų,

griovius, jei kartais tektų greitai pasitraukti. Labai atsargiai dirbkite ant stačių šlaitų.



- Neišjungę variklio niekada nedėkite gaminio ant žemės, jei jo nematote.
- Jei naudojate benzinu varomą gaminį, variklio išmetamosiose dujose yra anglies monoksido, kuriuo galima apsinuodyti. Dėl to niekada nepaleiskite šio gaminio ir juo nedirbkite uždaroje ar blogai vėdinamoje patalpoje.
- Pūstovo negalima naudoti užsilipus ant kopėčių ar pastolių arba aukštai esančiose vietose (pvz., ant stogų). Tokiu būdu galima smarkiai sužeisti.



- Niekada nenaudokite gaminio, jei nelaimės atveju nebūtų kaip iškviešti pagalbą.
- Į oro įsiurbimo angas nedėkite jokių daiktų, nes jie gali riboti reikiamą oro srautą ir apgadinti prietaisą.
- Pasirūpinkite, kad gaminys neatsitrenktų į tvorą, medį ar kitokius kietus daiktus. Dėl to įrenginys gali sugesti ir sunkiai sužaloti žmones.
- Jeigu dėvite apsaugines ausines, būkite atidūs, kad išgirstumėte galimus įspėjamuosius signalus ar šūksnius. Išjungę variklį visada nusiimkite apsaugines ausines.

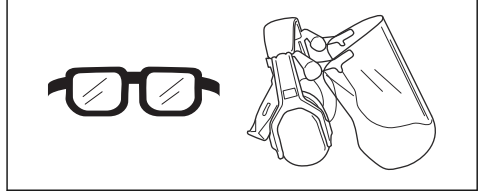
Asmeninės apsauginės priemonės



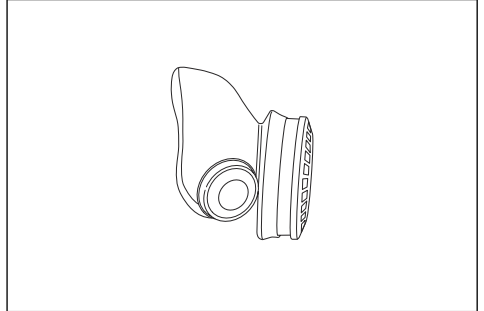
PERSPĖJIMAS: Prieš naudodami gaminį, perskaitykite toliau esančius įspėjimus.

- Naudodami įrenginį būtinai dėvėkite patvirtintas asmenines apsaugines priemones. Asmeninės apsauginės priemonės nepadės visiškai išvengti pavojaus susižeisti, tačiau nelaimingo atsitikimo atveju mažiau nukentėsite. Leiskite prekybos atstovui padėti pasirinkti tinkamą įrangą.

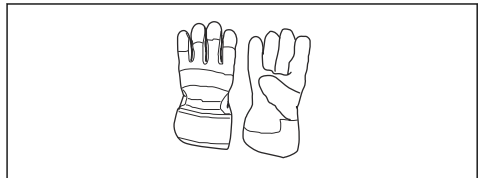
- Naudokite pakankamomis garso slopinimo savybėmis pasižyminčias patvirtintas apsaugines ausines. Ilgalakis triukšmo poveikis gali visam laikui pakenkti klausai.
- Naudokite patvirtintas akių apsaugos priemones. Jei naudojamas apsauginis skydelis, turi būti nešiojami ir patvirtinti apsauginiai akiniai. Patvirtinti apsauginiai akiniai yra tie, kurie atitinka JAV ANSI Z87.1 standartą arba ES EN 166 standartą.



- Jei kyla dulkių pavojus, naudokite kvėpavimo apsaugą.



- Kai būtina, pvz., montuojant, apžiūrint arba valant įrangą, užsimaukite pirštines.



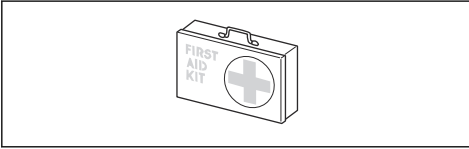
- Naudokite tvirtus, neslystančius aulinius batus ar pusbačius.



- Vilkėkite iš stiprios medžiagos pagamintus drabužius. Būtinai mūvėkite tvirtas, ilgas kelnes, vilkėkite aprangą ilgomis rankovėmis. Nevilkėkite laisvų drabužių, kurie gali užkibti už krūmokšnių ir

šakų. Nenešiotkite papuošalų, trumpų kelnų ar atvirų batų ir nevaikščiokite basomis. Saugiai susisiekite plaukus aukščiau pečių.

- Netoliese turi būti pirmosios pagalbos vaistinė.



Priežiūros saugos instrukcijos



PERSPĖJIMAS: Prieš naudodami gaminį, perskaitykite toliau esančius įspėjimus.

Naudojimas

Priedo naudojimas

Pasižymėkite: Atsižvelkite į savo kaimynus ir nenaudokite pūstovo netinkamu laiku, pvz., vėlai vakare ar anksti ryte. Norėdami sumažinti triukšmo lygį, vienu metu naudokite mažiau įrenginių. Perskaitykite ir laikykitės paprastų nurodymų, kaip mažiausiai trikdyti aplinkinių ramybę.

1. Prie žemės prilipusias šiukšles pakelkite grėbliu ar šepetiu.
2. Kampus valykite pradėdami valyti kampe ir judėdami link išorės. Taip nesusikaups nešvarumų, kurie galėtų lėkti jums į veidą.
3. Naudokite kuo mažesnę pūstovo galią / greitį. Paprastai nebūtina naudoti gaminio didžiausiomis apsukomis / didžiausiu greičiu, nes daugumą darbų galima atlikti naudojant tik pusę jo galios / greičio. Naudodami gaminį mažesnėmis apsukomis / mažesniu greičiu sukeliate mažiau triukšmo ir dulkių, taip pat paprasčiau valdyti surenkamas ar pučiamas šiukšles.
4. Norėdami kuo labiau sumažinti šiam darbui skirtą laiką, šiek tiek sudrėkinkite ar apipurškite purkštuvu dulketas zonas.

Prieš pradėdami naudoti gaminį, atlikite bendrą apžiūrą. Žr. techninės priežiūros grafiką.

Atlikite įrenginio techninę priežiūrą, kaip nurodyta šioje naudojimo instrukcijoje. Kai kuriuos techninės priežiūros darbus gali atlikti tik apmokyti ir kvalifikuoti specialistai. Žiūrėkite nurodymus, pateikiamus skyriuje „Techninė priežiūra“.

Prieš darbo pradžią visada patikrinkite, ar neužsikimšę oro išsiurbimo angos grotelės.

Kad išvengtumėte žalos nukritus produktui, montuoti ir ardyti reikia kuo arčiau žemės paviršiaus.

5. Tvarkydamiesi sode galite sumažinti vandens sunaudojimą, jeigu vietoje vandens žarnų įvairiems darbams (grotelėms, sietams, prieangiams ir pan. valyti) naudosite pūstuvus.
6. Dirbdami arti augalų, būkite atsargūs. Oro srauto jėga gali pažeisti silpnus augalus.
7. Oro srauto greitis reguliuojamas akceleratoriumi / maitinimo jungikliu. Kiekvienam darbui pasirinkite tinkamiausią greitį.
8. Atkreipkite dėmesį į vėjo kryptį. Dirbkite pavėjui ir darbas palengvės.
9. Pūstuvu stumdyti dideles lapų šūsnis užima daug laiko ir keliamas nereikalingas triukšmas.
10. Tvirtai laikykite pusiausvyrą ir tvirtai remkitės į žemę kojomis.
11. Išlaikykite atstumą tarp vamzdžio ir žemės, kad nepaliestumėte žemės gaminiu.
12. Pabaigę išvalykite. Nenupūskite šiukšlių į kieno nors sodą. Pašalinkite liekanas iš šiukšlių talpyklos.
13. Baigus darbą, gaminį reikia laikyti horizontalioje padėtyje.

Techninė priežiūra

Įvadas

Toliau pateikiamos bendros priežiūros instrukcijos. Jei reikia daugiau informacijos, prašome kreiptis į techninio aptarnavimo dirbtuves.

Kasdienė priedo techninė priežiūra



PERSPĖJIMAS: Visada išjunkite variklį prieš valydami priedą ar atlikdami jo techninę priežiūrą. Jei turite benzinu varomą gaminį, nuo uždegimo žvakės atjunkite uždegimo kabelį. Jei turite akumuliatoriumi varomą gaminį, išimkite akumuliatorių.

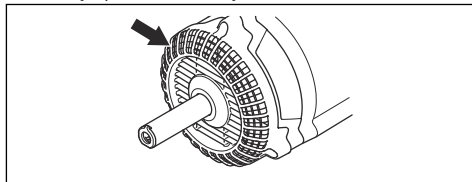


PERSPĖJIMAS: Jokia kūno dalimi nesilieskite prie įkaitusių paviršių.

1. Nuvalykite išorinį pūstuvo paviršių.
2. Įsitinkinkite, kad visuose gaubtuose nėra įtrūkimų.
3. Įsitinkinkite, kad gaminys veikia tinkamai.
4. Patikrinkite, ar varžlės ir varžtai priveržti.
5. Lipdukus valykite šilpnu valikliu suvilgyta šluoste.

Oro įsiurbimo grotelių patikra

1. Patikrinkite, ar oro įsiurbimo anga neužkimšta, pvz., lapais ar šiukšlėmis, nei iš vienos pusės, įskaitant ir apačią. Užkimšta oro įsiurbimo anga sumažina gaminio pūtimo galią ir padidina darbinę variklio temperatūrą, todėl variklis gali sugesti. Išjunkite variklį ir pašalinkite kliūtį.



Transportavimas, saugojimas ir utilizavimas

Pervežimas ir laikymas

Po kiekvieno darbo etapo vykdykite šiuos nurodymus:

- Prieš saugojimą arba transportavimą, leiskite priedui atvėsti.
- Įrenginį laikykite aukštai esančioje, vėsioje, sausoje patalpoje, vaikams nepasiekiamoje vietoje.

Sezoninis saugojimas

Priedą saugojimui ruoškite sezono pabaigoje arba jeigu jis bus nenaudojamas 30 ar daugiau dienų. Jeigu priedas bus saugojamas ilgą laiką:

- Išvalykite įrenginį.
- Patikrinkite priedą, ar nėra atsilaisvinusių arba pažeistų dalių. Priveržkite visus atsilaisvintus varžtus.

- Pakeiskite pažeistas, sulūžusias arba susidėvėjusias dalis.
- Kito sezono pradžioje naudokite tik šviežių tinkamų proporcijų benzino ir alyvos mišinį.

Šalinimas

- Laikykitės vietinių atliekų tvarkymo reikalavimų ir galiojančių teisės aktų.
- Kai gaminys nebenaudojamas, nusiųskite jį „Husqvarna“ pardavėjui arba atiduokite jį perdirbimo vietai.

Techniniai duomenys

Benzinu varomų produktų techniniai duomenys

BA101	
Svoris	
Svoris, kg	1,9
Skleidžiamas triukšmas	
Garso galios lygis, išmatuotas dB (A)	111
Garso galios lygis, garantuojamas L _{WA} dB (A)	114
Garso lygiai ⁷⁸	
Tolygus garso slėgio naudotojo ausiai lygis, išmatuotas pagal EN15503, dB(A)	99

⁷⁸ Ekvivalentinė garso slėgio lygio vertė apskaičiuota, kai darbo ciklas sudarytas iš 1/7 darbo tuščiaja eiga ir 6/7 pūtimo darbo. Pateiktuose duomenyse apie ekvivalentinį įrenginio garso slėgio lygį yra 1 dB (A) tipiška statistinė sklaida (standartinis nuokrypis).

BA101	
Vibracijos lygis ⁷⁹	
Ekvivalentiški rankenų vibracijos lygiai ($a_{hv,eq}$), išmatuoti pagal EN 15503, m/s^2	
Priekinės / galinės rankenos:	5,6 / 8,3
Ventiliatoriaus parametrai ⁸⁰	
Maksimalus oro greitis su standartiniu antgaliu, m/s:	46
Oro srautas naudojant įprastą antgalį ($m^3/min.$)	14

Akumulatoriumi varomų įrenginių techniniai duomenys

325iLK + Blower attachment BA101	
Svoris	
Svoris, kg	2,3 + 1,9
Skleidžiamas triukšmas ⁸¹	
Garso galios lygis, išmatuotas dB (A)	103
Garso galios lygis, garantuojamas L_{WA} dB (A)	106
Garso lygiai ⁸²	
Garso spaudimo naudotojo ausiai lygis, matuojamas pagal ISO 26868, dB(A)	
Su patvirtintu priedu (originaliu), dB (A)	93
Vibracijos lygis ⁸³	
Vibracijos lygis rankenose, išmatuotas pagal EN 62841-1, m/s^2	
Su patvirtintu naudoti (originaliu) priedu, kairysis / dešinysis, m/s	1,6 / 1,1
Ventiliatoriaus parametrai ⁸⁴	
Oro srautas įprastu režimu naudojant įprastą antgalį ($m^3/min.$)	14
Didžiausias oro greitis įprastu režimu su standartiniu antgaliu, m/s:	45

⁷⁹ Ekvivalentinė vibracijos lygio vertė apskaičiuota, kai darbo ciklas sudarytas iš 1/7 darbo tuščiaja eiga ir 6/7 pūtimo darbo. Pateiktuose atitinkamo vibracijos lygio duomenyse yra 1 m/s^2 tipiška statistinė sklaida (standartinis nuokrypis).

⁸⁰ Su variklio bloku 525LK/GC2225C.

⁸¹ Triukšmas, skleidžiamas į aplinką, išmatuotas kaip garso galia (L_{WA}) pagal EB direktyvą 2000/14/EB. Pateiktas įrenginio garso stiprumo lygis buvo išmatuotas naudojant didžiausią garsą sukeltantį originalų pjovimo įtaisą. Skirtumas tarp garantuojamos ir išmatuotos garso galios yra tas, kad pagal Direktyvą 2000/14/EB garantuojama garso galia apima ir matavimo rezultatų sklaidą bei nukrypimus tarp skirtingų to pačio modelio įrenginių.

⁸² Pateiktuose duomenyse apie įrenginio garso slėgio lygį yra 3 dB (A) tipiška statistinė sklaida (standartinis nuokrypis). Ji buvo išmatuota naudojant originalų įtaisą, kuris generuoja aukščiausią lygį. Išmatuota su variklio bloku 325iLK.

⁸³ Pateiktuose vibracijos lygio duomenyse yra 2 m/s^2 tipiška statistinė sklaida (standartinis nuokrypis). Siekiant palyginti vibracijos lygius, akumulatoriniams ir vidaus degimo gaminiams naudojamas vibracijos skaičiuotuvus. Žr. <https://www.husqvarna.com/uk/services-solutions/vibration-calculator/>. Išmatuota su variklio bloku 325iLK.

⁸⁴ Išmatuota su variklio bloku 325iLK.

Atitikties deklaracija

ES atitikties deklaracija

Mes, **Husqvarna AB**, SE-561 82 Huskvarna, Švedija, tel. +46-36-146500, atsakingai patvirtiname, kad gaminys:

Aprašymas	Pūstuvo priedas
Gamintojas	Husqvarna
Tipas / modelis	BA101
Identifikacijos numeris	Serijos numeriai nuo šios datos: 2022 ir vėlesni

visiškai atitinka šias ES direktyvas ir reglamentus:

Reglamentas	Aprašymas
2006/42/EB	„dėl mašinų“
2000/14/EB	„dėl į aplinką sklaidžiamo triukšmo“
2011/65/ES	„dėl tam tikrų pavojingų medžiagų naudojimo elektros ir elektroninėje įrangoje apribojimo“

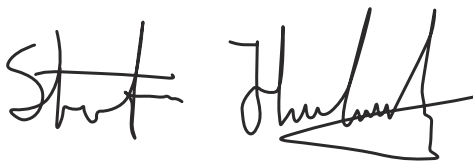
ir kad laikomasi šių standartų ir (arba) techninių specifikacijų: EN 15503:2009+A2:2015, EN ISO 12100:2021, EN IEC 63000:2018.

SMP Svensk Maskinprovning AB, Box 4053, SE-904 03 Umeå, Sweden atliko savanorišką tipo patikrinimą pagal 2006/42/EB IX priedo reikalavimus.

Sertifikato numeris: SEC/15/2416 – Husqvarna BA101.

Daugiau informacijos apie triukšmo emisiją žr. *Techniniai duomenys psl. 117.*

Huskvarna, 2022-05-09



Stefan Holmberg, mokslinių tyrimų ir plėtros direktorius, technologijų vadyba, „Husqvarna AB“

Atsakingas už techninę dokumentaciją



ES atitikties deklaracija

Mes, **Husqvarna AB**, SE-561 82 Huskvarna, Švedija, tel. +46-36-146500, atsakingai patvirtiname, kad gaminy:

Aprašymas	Pūstovo priedas su maitinimo bloku Husqvarna 325iLK
Gamintojas	Husqvarna
Tipas / modelis	BA101
Identifikacijos numeris	Serijos numeriai nuo šios datos: 2022 ir vėlesni

visiškai atitinka šias ES direktyvas ir reglamentus:

Reglamentas	Aprašymas
2006/42/EB	„dėl mašinų“
2000/14/EB	„dėl į aplinką skleidžiamo triukšmo“
2011/65/ES	„dėl tam tikrų pavojingų medžiagų naudojimo elektros ir elektroninėje įrangoje apribojimo“

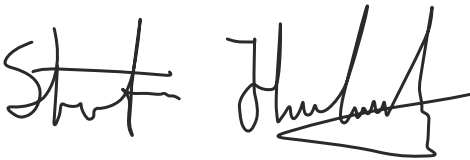
ir kad laikomasi šių standartų ir (arba) techninių specifikacijų: IEC 62841-4-6, EN ISO 12100:2021, EN IEC 63000:2018.

SMP Svensk Maskinprovning AB, Box 4053, SE-904 03 Umeå, Sweden atliko savanorišką tipo patikrinimą pagal 2006/42/EB IX priedo reikalavimus. Sertifikato numeris: SEC/15/2416 – Husqvarna BA101.

SMP Svensk Maskinprovning AB, taip pat patikrino V priedo atitiktį Tarybos direktyvos 2000/14/EB reikalavimams. Sertifikato numeris: 01/012/014.

Daugiau informacijos apie triukšmo emisiją žr. *Techniniai duomenys psl. 117.*

Huskvarna, 2022-05-09



Stefan Holmberg, mokslinių tyrimų ir plėtros direktorius, technologijų vadyba, „Husqvarna AB“

Atsakingas už techninę dokumentaciją



Saturs

Ievads.....	121	Pārvadāšana, glabāšana un utilizēšana.....	126
Drošība.....	122	Tehniskie dati.....	126
Lietošana.....	125	Atbilstības deklarācija.....	129
Apkope.....	126		

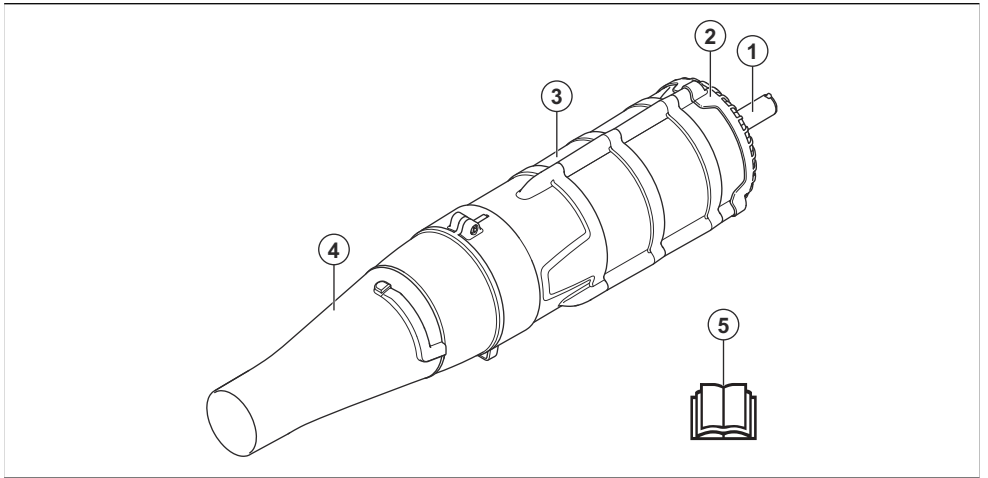
Ievads

Izstrādājuma apraksts

Mēs pastāvīgi strādājam, lai pilnveidotu savus izstrādājumus, un tāpēc paturam tiesības izdarīt izmaiņas, piemēram, izstrādājumu formai un izskatam bez iepriekšēja paziņojuma.

Piezīme: Šī rokasgrāmata attiecas gan uz instrumentiem, kas darbojas ar benzīnu, gan tiem, kas darbojas ar akumulatoru.

Pārskats par ierīci



1. Kāts
2. Gaisa ieplūdes sietfiltrs
3. Ventilatora korpusis
4. Gaisa sprausla
5. Lietošanas rokasgrāmata

Apzīmējumi uz palīgierīces un piedziņas ierīces



Pavirša vai nepareiza šīs palīgierīces lietošana var radīt smagas vai nāvējošas traumas lietotājam vai citiem.



BRĪDINĀJUMS: Šo palīgierīci drīkst izmantot tikai kopā ar paredzēto piedziņas bloku. Skatiet piederumu nodaļu piedziņas bloka lietošanas rokasgrāmatā.

Palīgierīce ir paredzēta tikai zālāju, taku, trotuāru un tamlīdzīgu virsmu tīrīšanai.



Rūpīgi izlasiet šo lietošanas rokasgrāmatu un pirms ierīces lietošanas pārlicinieties, ka izprotat norādījumus.



Šī ierīce atbilst spēkā esošām EK direktīvām.



Izmantojiet apstiprinātus dzirdes, acu un elpošanas aizsarglīdzekļus.



Izmantojiet apstiprinātus aizsargcimdus.



Trokšņa emisijas vidē uzlīme atbilstoši ES un Apvienotās Karalistes direktīvām un noteikumiem, kā arī Jaundienvidveidas tiesību aktam "Darba vides aizsardzības (trokšņa kontroles) regula (2017)". Sniega pūtēja garantētais

skaņas jaudas līmenis ir norādīts šeit: *Tehniskie dati lpp. 126, kā arī uzlīmē.*



Pūtēja lietotājam jānodrošina, lai citi cilvēki vai dzīvnieki neatrastos tuvāk par 15 metriem no darba vietas. Ja vairāki ierīces lietotāji strādā vienā darba vietā, drošības attālumam ir jābūt ne mazākam par 15 metriem. Pūtējs ar lielu spēku var izsviest priekšmetus, kas, atsitoties, var atlikt. Nelietojot atbilstošu drošības aprīkojumu, tas var radīt smagas acu traumas.

Piezīme: Pārējie uz ierīces norādītie simboli/norādes atbilst noteiktu valstu sertifikācijas prasībām.

Drošība

Drošības definīcijas

Brīdinājumi, norādes "Uzmanību!" un piezīmes tiek izmantotas, lai izceltu īpaši svarīgas lietotāja rokasgrāmatas daļas.



BRĪDINĀJUMS: Tiek izmantota tad, ja rokasgrāmatā sniegto instrukciju neievērošanas dēļ operatoram vai blakus esošajām personām draud traumu vai nāves risks.



IEVĒROJIET: Tiek izmantota tad, ja rokasgrāmatā sniegto instrukciju neievērošanas dēļ rodas izstrādājuma un/vai papildaprīkojuma, citu materiālu vai blakus esošās teritorijas bojājuma risks.

Piezīme: Tiek izmantota, lai sniegtu plašāku informāciju, kas nepieciešama attiecīgajā situācijā.

Dārza pūtēja, dārza puteklsūcēja un dārza pūtēja/puteklsūcēja drošības norādījumi

- **Pirms lietošanas pārbaudiet, vai nav redzamas barošanas kabeļa un pagarinātāja bojājuma vai nodiluma pazīmes.** Nepieskarieties kabelim pirms tā atvienošanas no elektrotilka. Nelietojiet pūtēju, ja kabelis ir bojāts vai nodilis. Bojāts barošanas kabelis var izraisīt elektriskās strāvas triecienu, aizdegšanos un/vai radīt smagu traumu.
- **Nelietojiet ierīci sliktos laikapstākļos, it īpaši tad, ja ir iespējams pērkona negaiss.** Tas palielina risku, ka jums varētu iespert zibens.
- **Vienmēr lietojiet acu aizsarglīdzekļus un dzirdes aizsarglīdzekļus.** Atbilstoši aizsarglīdzekļi samazinās traumas gūšanas risku.
- **Lietojot pūtēju, vienmēr uzvelciet neslīdošus aizsargapavus. Nelietojiet ierīci, ja kājas ir basas vai valkājat vaļējas sandales.** Šādi samazināsīt jāju traumu gūšanas risku.
- **Nevalkājiēt vaļīgu apģērbu vai izstrādājumus, piemēram, šalles, kaklautes, ķēdītes, kaklasaites u.c., kas var tikt ievilkas gaisa ieplūdes atverēs. Sasieniet aizmugurē garus matus vai valkājiēt kādu galvassegu, lai neievilktu matus gaisa ieplūdes atverēs.** Ja kāds no šiem priekšmetiem tiek ievilkts gaisa ieplūdes atverēs, var tikt paaugstināts traumu gūšanas risks.
- **Ierīces darbības laikā nodrošiniēt, ka garāmgājēji ir drošā attālumā.** Izsviesti gruži var paaugstināt traumu gūšanas risku.
- **Nekādā gadījumā nevirziet pūtēja uzgali cilvēku vai mājdzīvnieku virzienā vai logu virzienā. Esiet īpaši piesardzīgi, pūšot gružus monolītu objektu tuvumā, piemēram, koku, automobīlu un sienu tuvumā, kas šādi var izraisīt gružu atlēkšanu.** Izsviesti priekšmeti var radīt materiālos zaudējumus un paaugstināt traumu gūšanas risku.
- **Neizmantojiet pūtēju degošu vai dūmojošu priekšmetu, piemēram, cigarešu, sērkokciņu vai karstu pelnu aizpūšanai.** Šādi aizdegšanās avoti var palielināt ugunsgrēka risku.
- **Nepieskarieties ventilatoram, kad tas darbojas. Izslēdziet ierīci un uzgaidiet, līdz ventilators apstājas, pirms nopemat kādu detaļu, kas ļauj piekļūt ventilatoram.** Šādi samazināsīt kustīgu detaļu radītu traumu risku.
- **Izņemot iestrēgušu materiālu vai veicot pūtēja remontu, pārliecinieties, ka strāvas slēdzis ir izslēgts.** Ja ierīce sāk negaidīti darboties, kad izņemat

iestrēgušu materiālu vai veicat apkopi, var tikt gūta smaga trauma.

Vispārīgi drošības norādījumi



BRĪDINĀJUMS: Pirms sākat lietot šo palīgieierci, izlasiet turpmāk izklāstītos drošības norādījumus.

- Lūdzu, rūpīgi izlasiet šo lietošanas rokasgrāmatu un pirms palīgieierces lietošanas pārliecinieties, vai izprotat norādījumus.
- Lietošanas rokasgrāmata jālasa kopā ar piedziņas bloka rokasgrāmatu, lai iegūtu pilnīgu lietošanas informāciju.
- Nekādā gadījumā nepārveidojiet šī papildpiederuma konstrukciju bez ražotāja atļaujas. Nelietojiet palīgieierci, ko var būt pārveidojuši citi, un vienmēr izmantojiet oriģinālos piederumus. Neatļautas izmaiņas un/vai neatļauti piederumi var radīt smagas vai nāvējošas traumas izstrādājuma lietotājam un citiem.

Darba drošības norādījumi



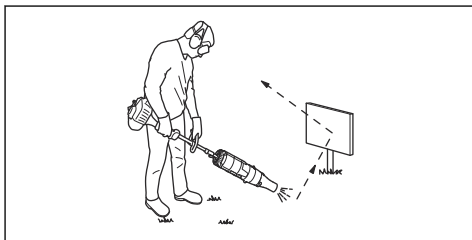
BRĪDINĀJUMS: Pirms sniega pūtēja lietošanas izlasiet zemāk minētos brīdinājuma norādījumus.



BRĪDINĀJUMS: Šis smalcinātājs darbības laikā rada elektromagnētisko lauku. Zināmos apstākļos šis lauks var traucēt aktīvā vai pasīvā medicīniskā implanta darbībai. Lai samazinātu smagu vai nāvējošu traumu gūšanas risku, ieteicams tām personām, kurām ir medicīniskie implantāti, pirms šī izstrādājuma lietošanas konsultēties ar ārstu un medicīniskā implanta ražotāju.

- Nekad neizmantojiet izstrādājumu, ja esat noguruši, lietojuši alkoholu vai medicīniskus preparātus, kas var ietekmēt redzi, spriestspēju un koordināciju.
- Nekad nelietojiet bojātu izstrādājumu.
- Pirms iedarbināšanas ir jābūt uzstādītiem visiem pārsegumiem un aizsargiem. Lai izvairītos no elektrotraumas, pārbaudiet, vai aizdedzes sveces uzmava un aizdedzes vads nav bojāts.
- Pūtēja lietotājam jānodrošina, lai citi cilvēki vai dzīvnieki neatrastos tuvāk par 15 metriem no darba vietas. Ja vairāki ierīces lietotāji strādā vienā darba vietā, drošības attālumam ir jābūt ne mazākam par 15 metriem.
- Nekādā gadījumā neļaujiet bērniem izmantot kāta zāģi.
- Nekad neļaujiet citiem izmantot kāta zāģi, ja viņi nav izlasījuši un izpratuši lietošanas rokasgrāmatā sniegto informāciju.
- Nekad nenoņemiet gaisa iepūdes sietfiltru.

- Nekad neaiztieciat aizdedzes sveci vai aizdedzes vadu, kamēr motors nav izslēgts. Pieskaršanās aizdedzes svecei vai svecei var izraisīt elektrošoku.
- Vienmēr sazinieties ar vietējām varas iestādēm un pārliecinieties, ka ievērojāt spēkā esošās direktīvas.
- Netuviniet ķermeņa daļas karstām virsmām.
- Ja ir radusies situācija, kurā nezināt, kā rīkoties, lūdziet padomu speciālistam. Sazinieties ar izplatītāju vai apkopes darbinīcu. Izvairieties no lietošanas paņēmieniem, kurus nepārvaldāt.
- Turiet pūtēja atveri, iespējami tuvu zemei. Lai gaisa plūsma būtu iespējami tuvāk zemei, izmantojiet pūtēja cauruļvadu visā tā garumā.
- Lietojiet ierīci tikai darba laikā, lai neradītu nevajadzīgu troksni. Neizmantojiet to agri no rīta vai vēlu vakarā.
- Ievērojiet apkārtni. Ja kāds tuvojas darba vietai, atļaidiet piedziņas mēlīti, līdz persona ir drošā attālumā. Nevērsiet pūtēju pret cilvēkiem, dzīvniekiem, rotaļlaukumiem, atvērta logiem, automobiļiem u.c. Gaisa spēks var izsviest akmeņus, neīrurus vai koka gabalus, kas var atlēkt, traumējot cilvēkus un dzīvniekus, kā arī saplēst stiklu un radot citu veidu bojājumus.
- Lai izvairītos no smagām traumām, ko var izraisīt rotējošais lāpstiņritenis, nelieciet rokas vai kādus priekšmetus pūtēja korpusā.
- Uzturiet ārējās virsmas tīras no eļļas un degvielas.
- Neizmantojiet ierīci, lai izplatītu ķīmiskas vielas, mēslojumu vai citas vielas, kas var saturēt toksiskus materiālus.
- Lai izvairītos no uguns izplatīšanās, neizmantojiet ierīci degošu lapu un žagaru kaudžu, ugunsroku, piknika ugunsroku, pelnu trauku, u.c. tuvumā.
- Ierīci nekādā gadījumā nedrīkst apliet vai apšļakstīt ar ūdeni vai kādu citu šķidrumu.
- Vienmēr turiet ierīci ar abām rokām. Turiet ierīci sev pie sāniem.
- Ja lietojat ar benzīnu darbināmu izstrādājumu, ļaujiet dzinējam atdzīst, pirms uzpildāt to.
- Spēcīgas gaisa plūsmas var pārvietot priekšmetus tik lielā ātrumā, ka tie var atlēkt, radot smagas acu traumas.



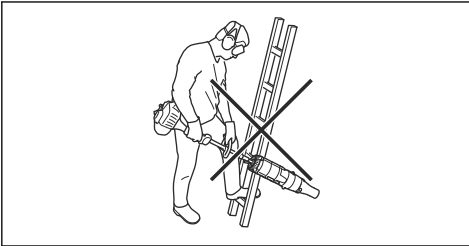
- Pirms piederumu vai citu detaļu montāžas vai demontāžas apturiet dzinēju/motoru.
- Nelietojiet izstrādājumu sliktos laikapstākļos, piemēram, miglā, spēcīgā lietu, stiprā vējā, zemā temperatūrā utt. Darbs nelabvēlīgos laikapstākļos

ir nogurdinošs, un var rasties bīstamas situācijas, piemēram, uz slidenām darba virsmām.

- Pārliecinieties, ka ir iespējams droši pārvietoties un stāvēt. Pārbaudiet, vai tuvumā nav kādu šķēršļu, kas var traucēt pēkšņu nepieciešamību pārvietoties (saknes, akmeņi, zari, bedres utt.). Ievērojiet īpašu piesardzību, strādājot slīpumā.

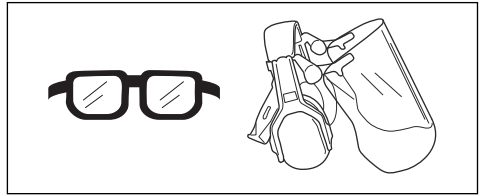


- Nekad nenolieciet izstrādājumu ar ieslēgtu dzinēju/motoru, ja nevarat to uzraudzīt.
- Ja izmantojat ar benzīnu darbināmu izstrādājumu, dzinēja izplūdes gāzes satur oglekļa monoksīdu (tvana gāzi), kas var izraisīt saindēšanos. Šī iemesla dēļ neiedarbiniet dzinēju un nelietojiet ierīci telpās vai jebkurā vietā ar vāju ventilāciju.
- Pūtēju nedrīkst izmantot, stāvot uz kāpnēm vai sastatnēm, vai augstumā (piemēram, uz jumtiem). Pretējā gadījumā var rasties smagas traumas.

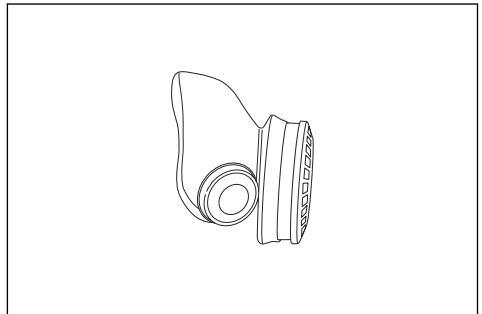


- Nelietojiet izstrādājumu, ja nav iespējams izsaukt palīdzību nelaiemes gadījumā.
- Neievietojiet priekšmetus gaisa ieplūdes atverē, jo tas var ierobežot pareizu gaisa plūsmu un radīt ierīces bojājumus.
- Ierīce nedrīkst saskarties ar žogiem, kokiem vai citiem cietiem materiāliem. Var rasties ierīces bojājumi un smagas traumas.
- Lietojot dzirdes aizsarglīdzekļus, vienmēr uzmanīgi klausieties, lai sadzirdētu brīdinājumu signālus vai saucienus. Kad dzinējs/motors apstājas, vienmēr noņemiet dzirdes aizsarglīdzekļus.

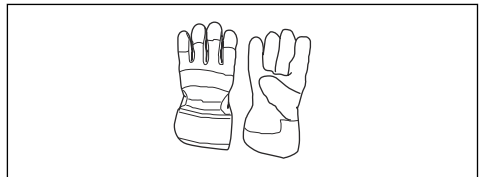
- Izmantojot izstrādājumu, vienmēr lietojiet apstiprinātus individuālos aizsarglīdzekļus. Šādi līdzekļi nevar pilnībā novērst traumu gūšanas risku, taču samazina traumu smaguma pakāpi, ja negadījums tomēr notiek. Izplatītājs palīdzēs izvēlēties pareizo aprīkojumu.
- Lietojiet tādus dzirdes aizsarglīdzekļus, kas nodrošina pietiekamu trokšņa slāpēšanu. Ilgstoša uzturēšanās troksnī var radīt būtiskus dzirdes bojājumus.
- Izmantojiet apstiprinātus acu aizsarglīdzekļus. Apstiprinātas aizsargbrilles ir jālieto arī tad, ja tiek izmantots sejsēgs. Apstiprinātas aizsargbrilles ir tādas, kas atbilst ASV standarta ANSI Z87.1 ASV vai standarta EN 166 prasībām ES valstīs.



- Ja strādājat puteklainā vidē, izmantojot elpošanas aizsarglīdzekļus.



- Vajadzības gadījumā izmantojiet cimdus, piemēram, piestiprinot, pārbaudot vai fīrot aprīkojumu.



Individuālie aizsarglīdzekļi

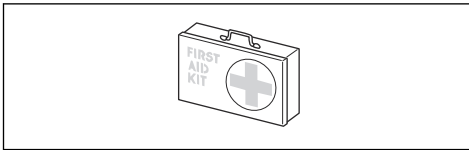


BRĪDINĀJUMS: Pirms sniega pūtēja lietošanas izlasiet zemāk minētos brīdinājuma norādījumus.

- Lietojiet izturīgus, neslīdošus zābakus vai kurpes.



- Lietojiet izturīga auduma apģērbu. Vienmēr valkājiet biezas, garas bikses un apģērbu ar garām piedurknēm. Nevalkājiet vaļīgu apģērbu, kas viegli var iekerties krūmos un zaros. Nenēsājiet rotaslietas, nevelciet šortus, sandales un nestrādājiet basām kājām. Sakārtojiet matus droši virs pleciem.
- Gādājiet, lai tuvumā būtu pirmās palīdzības piederumi.



Tehnikās apkopes drošības norādījumi



BRĪDINĀJUMS: Pirms sākat lietot izstrādājumu, izlasiet turpmāk izklāstītos brīdinājumus.

Pirms lietošanas veiciet vispārēju produkta apskati. Skatiet apkopes grafiku.

Ievērojiet šajā rokasgrāmatā norādītos apkopes un uzturēšanas norādījumus. Dažus apkopes un remonta darbus drīkst veikt tikai apmācīti un kvalificēti speciālisti. Skatiet norādījumus nodaļā Tehniskā apkope.

Pirms sākat darbu, pārlicinieties, vai ierīcē neatrodas kāds priekšmets, kas var traucēt gaisa ieplūdes sietfiltra darbību.

Lai novērstu bojājumu rašanos, izstrādājumam nokrītot, montēšana un izjaukšana jāveic tuvu zemes virsmai.

Lietošana

Palīgierīces lietošana

Piezīme: Cieniet apkārtējos, tādēļ strādājiet ar ierīci piemērotā laikā, nevis, piemēram, agri no rīta vai vēlu vakarā, kad tas var traucēt citus. Samaziniet trokšņa līmeņus, ierobežojot vienlaikus izmantojamo aprīkojuma ierīču skaitu. Lai iespējami mazāk traucētu apkārt esošos cilvēkus, izlasiet un ievērojiet šos vienkāršos noteikumus.

1. Ar grābekli vai slotu atbrīvojiet zemei pielīpušos grūžus.
2. Tīriet stūrus, sākot no stūriem un virzoties uz ārpusi. Tas novērsīs neīrumu uzkrāšanos, kas var tikt iesviesti jums sejā.
3. Darbiniet pūtēju ar mazāko iespējamo ātrumu. Ir samērā reti nepieciešams darbināt pūtēju ar pilnībā atvērtu droseli/maksimālā ātrumā, un vairākus darbus var paveikt ar pusatvērtu droseli/pusi no maksimālā ātruma. Ja darbināsiet ierīci ar mazāku ātrumu, būs mazāks trokšnis un mazāk putekļu, turklāt, ir arī vieglāk savaldīt savācamos/pārvietojamos grūžus.
4. Samaziniet pūšanas laiku, viegli samitrinot putekļainās vietas vai izmantojot smidzināšanas aprīkojumu.
5. Samaziniet ūdens patēriņu, dažādam lietojumam zālienā un dārzā izmantojot pūtējus nevis ūdens šļūtenes, piemēram, režģiem, sietiem, restēm, lieveņiem utt.
6. Strādājot augu tuvumā, esiet piesardzīgi. Gaisa plūsmas spēks var sabojāt traušlus augus.
7. Piedziņas mēlīte regulē gaisa plūsmas ātrumu. Izvēlieties piemērotāko ātrumu attiecīgo uzdevumu veikšanai.
8. Strādājot nemiet vērā vēja virzienā. Lai atvieglotu darbu, strādājiet vēja virzienā.
9. Pūtēja izmantošana lielu kaudžu pārvietošanai ir laikietilpīga un rada nevajadzīgu troksni.
10. Stāviet stabili un uz droša pamata.
11. Turiet cauruli atstatumā no zemes, lai ierīces darbības laikā tā zemei nepieskartos.
12. Pēc lietošanas noīriet ierīci! Uzmanieties, lai grūži netiktu iepūsti citu cilvēku dārzā. Izmetiet atkritumus tiem paredzētā tvertnē.
13. Kad darbs pabeigts, uzglabājiet ierīci vertikāli.

Apkope

Ievads

TĀLĀK tekstā iepazīsimies ar daĀĀm vispĀrĀĶjam apkopes instrukcijĀm. Ja jums nepieciešama papildinformĀcija, lūdzu, sazinieties ar tehniskĀs apkopes centru.

PaĶģierĶces ikdienas apkope



BRĶDINĀJUMS: Pirms ierĶces tĶrĶšanas vai apkopes vienmĶr apturiet dzinĶju/motoru. Ja izmantojot ar benzĶnu darbinĀmu izstrĀdĀjumu, atvienojiet aizdedzes kabeli no aizdedzes sveces. Ja izmantojot ar akumulatoru darbinĀmu izstrĀdĀjumu, noņemiet akumulatoru.



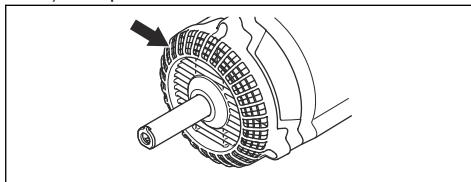
BRĶDINĀJUMS: Netuviniet ķermeņa daļas karstĀm virsmĀm.

1. NotĶriet pūtĶja ārĶjĀs virsmas.
2. PĀrbaudiet, vai korpusĀ nav plaisu.

3. PĀrbaudiet, vai izstrĀdĀjums ir labĀ darba stĀvokĶl.
4. PĀrliecinieties, ka visi uzgrieņņi un skrūves ir stingri pievilkta.
5. NotĶriet uzlĶmes, izmantojot saudzĶgĀ mazgĀšanas lĶdzekĶl samitrinĀtu drĀnu.

Gaisa ieklūdes sietfiltra pĀrbaude

1. PĀrbaudiet, vai no visĀm pusĶm gaisa ieklūde nav nosprostota ar lapĀm vai gruņiem, tostarp arĶ apakšdaļĀ. Nosprostota gaisa ieklūde samazina ierĶces pūšanas jaudu un palielina dzinĶja/motora darba temperĀturu, kas var radĶt dzinĶja/motora darbĶbas traucĶjumus. Apturiet dzinĶju/motoru un izņĶmiet priekšmetu.



PĀrvadĀšana, glabĀšana un utilizĶšana

TransportĶšana un uzglabĀšana

Izpildiet šīs darbĶbas pĶc katras lietošanas reizes:

- Pirms uzglabĀšanas vai transportĶšanas ļaujiet paĶģierĶcei atdzist.
- UzglabĀjiet to augstĀ, vĶsĀ, sausĀ, bĶrņiem nepieejamĀ vietĀ.

SezonĀla uzglabĀšana

Sagatavojiet paĶģierĶci uzglabĀšanai sezonas beigĀs vai tad, ja tĀ netiks izmantota vismaz 30 dienas. Ja pūtĶja paĶģierĶci paredzĶts uzglabĀt zinĀmu laiku:

- NotĶriet ierĶci.
- PĀrbaudiet, vai ierĶcĶ nav vaļģģu vai bojĀtu detaļu. Pievelciet visas vaļģģas skrūves.

- Nomainiet visas bojĀtĀs, nodilušĀs un salūzušĀs detaļas.
- NĀkamĀs sezonas sĀkumĀ izmantojiet tikai svaigu degvielu, kas sajaukta pareizĀ benzĶna un eļļas attiecĶbĀ.

UtilizĶšana

- IevĶrojiet vietĶjĀs pĀrstrĀdes prasĶbas un piemĶrojamos noteikumus.
- Kad iekĀrta vairs netiek izmantota, nosūtiet to Husqvarna izplatĶtĀjam vai nogĀdĀjiet to pĀrstrĀdes vietĀ.

Tehniskie dati

Ar benzĶnu darbinĀmu izstrĀdĀjumu tehniskie dati

BA101	
Svars	
Svars, kg	1,9
Trokšņa emisija	

BA101	
Skaņas jaudas līmenis, izmērītais dB (A)	111
Skaņas jaudas līmenis, garantētais L_{WA} dB (A)	114
Skaņas līmeņi ⁸⁵	
Ekvivalents skaņas spiediena līmenis pie lietotāja auss mērīts saskaņā ar standartu EN15503 dB(A)	99
Vibrācijas līmeņi ⁸⁶	
Ekvivalenti vibrācijas līmeņi ($a_{hv,eq}$) pie rokturiem mērīti atbilstoši standartam EN 15503, m/s^2	
Priekšējie/aizmugurējie rokturi:	5,6/8,3
Ventilatora darbība ⁸⁷	
Maks. gaisa ātrums ar standarta uzgali, m/s:	46
Gaisa plūsma ar standarta uzgali, m^3/min .	14

Ar akumulatoru darbināmu izstrādājumu tehniskie dati

325iLK + Blower attachment BA101	
Svars	
Svars, kg	2,3+1,9
Trokšņa emisija ⁸⁸	
Skaņas jaudas līmenis, izmērītais dB (A)	103
Skaņas jaudas līmenis, garantētais L_{WA} dB (A)	106
Skaņas līmeņi ⁸⁹	
Skaņas spiediena līmenis pie lietotāja auss, mērīts saskaņā ar standartu ISO 26868, dB (A)	
Aprīkots ar apstiprinātu piederumu (oriģināls), dB (A)	93
Vibrācijas līmeņi ⁹⁰	

⁸⁵ Ekvivalentu skaņas spiediena līmeņi aprēķina ar šādu laika sadalījumu: 1/7 tukšgaitā un 6/7 ar maksimālo ātrumu. Sniegtajos datos par ekvivalenta skaņas spiediena līmeņi ierīcei ir tipiska statistiskā 1 dB (A) izkliede (standarta novirze).

⁸⁶ Ekvivalentu vibrācijas līmeņi aprēķina ar šādu laika sadalījumu: 1/7 tukšgaitā un 6/7 ar maksimālo ātrumu. Sniegtajos datos par līdzvērtīgu vibrācijas līmeņi ir tipiska 1 m/s^2 statistiskā izkliede (standarta novirze).

⁸⁷ Kopā ar dzinēja bloku 525iLK/GC2225C.

⁸⁸ Atbilstoši EK direktīvai 2000/14/EK trokšņa emisija apkārtne ir mērīta kā akustiskā jauda (L_{WA}). Novērotais ierīces skaņas jaudas līmenis ir izmērīts ar pievienotu oriģinālo griešanas ierīci, kas rada augstāko līmeni. Atšķirība starp garantēto un izmērīto skaņas jaudas līmeņi ir tāda, ka garantētā skaņas intensitātes līmeņa mērījumu rezultāts ietver arī izkliedi mērījuma rezultātā un atšķirības dažādām tā paša modeļa ierīcēm atbilstoši direktīvai 2000/14/EK.

⁸⁹ Sniegtajos datos par ierīces skaņas spiediena līmeņi ir tipiska statistiskā 3 dB (A) izkliede (standartnovirze), mērot ar oriģinālo palīgierīci, kas rada augstāko trokšņa līmeni. Mērīts kopā ar motora bloku 325iLK.

⁹⁰ Sniegtajos datos par vibrācijas līmeņi tipiska statistiskā izkliede ir 2 m/s^2 (standarta novirze). Akumulatora un iekšdedzes dzinēju izstrādājumu vibrācijas līmeņu salīdzinājumam izmantojiet vibrācijas kalkulatoru; skatiet vietni <https://www.husqvarna.com/uk/services-solutions/vibration-calculator/>. Mērīts kopā ar motora bloku 325iLK.

325iLK + Blower attachment BA101Vibrācijas līmeņi pie rokturiem, mēriti atbilstoši standarta EN 62841-1 prasībām, m/s²

Aprīkots ar apstiprinātu piederumu (oriģināls), pa kreisi/pa labi, m/s 1,6/1,1

Ventilatora darbība⁹¹Gaisa plūsma parastā režīmā ar standarta uzgali, m³/min. 14

Maksimālais gaisa ātrums parastajā režīmā ar standarta uzgali (sprauslu), m/s: 45

⁹¹ Mērīts kopā ar motora bloku 325iLK.

Atbilstības deklarācija

ES atbilstības deklarācija

Mēs, **Husqvarna AB**, SE-561 82 Huskvarna, Zviedrija,
tālr. +46-36-146500, ar pilnu atbildību apliecinām, ka šis
izstrādājums:

Apraksts	Pievienojamu pūtēju
Zīmols	Husqvarna
Tips/modelis	BA101
Identifikācija	Sākot ar sērijas numuriem 2022

pilnībā atbilst šādām ES direktīvām un noteikumiem:

Regula	Apraksts
2006/42/EK	"par mehānismiem"
2000/14/EK	"par trokšņa emisiju vidē"
2011/65/ES	"par dažu bīstamu vielu izmantošanas ierobežošanu elektriskās un elektroniskās iekārtās"

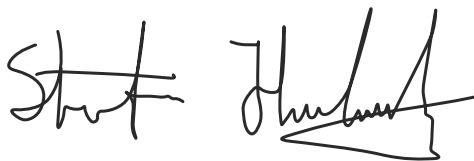
un ir ievēroti zemāk norādītie saskaņotie standarti
un/vai tehniskie dati: EN 15503:2009+A2:2015, EN ISO
12100:2021, EN IEC 63000:2018.

SMP Svensk Maskinprovning AB, Box 4053, SE-904
03 Umeå, Sweden ir veicis brīvprātīgu tipa pārbaudi
saskaņā ar direktīvas 2006/42/EK IX pielikumu.

Sertifikāta numurs: SEC/15/2416 – Husqvarna BA101.

Informāciju par trokšņa emisiju skatiet šeit: *Tehniskie
dati lpp. 126.*

Huskvarna, 2022-05-09



Stefan Holmberg, R&D Director, Technology
Management, Husqvarna AB

Atbildīgais par tehnisko dokumentāciju



ES atbilstības deklarācija

Mēs, **Husqvarna AB**, SE-561 82 Huskvarna, Zviedrija, tālr. +46-36-146500, ar pilnu atbildību apliecinām, ka šis izstrādājums:

Apraksts	Pūtēja mezglis ar barošanas bloku Husqvarna 325iLK
Zīmols	Husqvarna
Tips/modelis	BA101
Identifikācija	Sākot ar sērijas numuriem 2022

pilnībā atbilst šādām ES direktīvām un noteikumiem:

Regula	Apraksts
2006/42/EK	“par mehānismiem”
2000/14/EK	“par trokšņa emisiju vidē”
2011/65/ES	“par dažu bīstamu vielu izmantošanas ierobežošanu elektriskās un elektroniskās iekārtās”

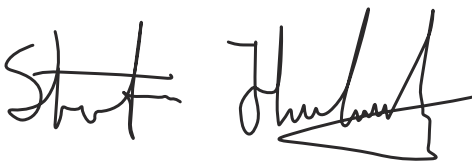
un ir ievēroti zemāk norādītie saskaņotie standarti un/vai tehniskie dati: IEC 62841-4-6, EN ISO 12100:2021, EN IEC 63000:2018.

SMP Svensk Maskinprovning AB, Box 4053, SE-904 03 Umeå, Sweden ir veicis brīvprātīgu tipa pārbaudi saskaņā ar direktīvas 2006/42/EK IX pielikumu. Sertifikāta numurs: SEC/15/2416 – Husqvarna BA101.

SMP Svensk Maskinprovning AB, ir arī pārbaudījis atbilstību Eiropas Padomes direktīvas 2000/14/EK V pielikumam. Sertifikāta numurs: 01/012/014.

Informāciju par trokšņa emisiju skatiet šeit: *Tehniskie dati lpp. 126.*

Huskvarna, 2022-05-09



Stefan Holmberg, R&D Director, Technology Management, Husqvarna AB

Atbildīgais par tehnisko dokumentāciju



Inhoud

Inleiding.....	131	Vervoer, opslag en verwerking.....	136
Veiligheid.....	132	Technische gegevens.....	137
Werking.....	135	Verklaring van overeenstemming.....	139
Onderhoud.....	136		

Inleiding

Productbeschrijving

Husqvarna AB werkt voortdurend aan het verder ontwikkelen van haar producten en behoudt zich dan ook het recht voor om zonder aankondiging vooraf wijzigingen in o.a. vorm en uiterlijk door te voeren.

Let op: Deze handleiding heeft betrekking op zowel benzine- als accu-aangedreven voedingseenheden.

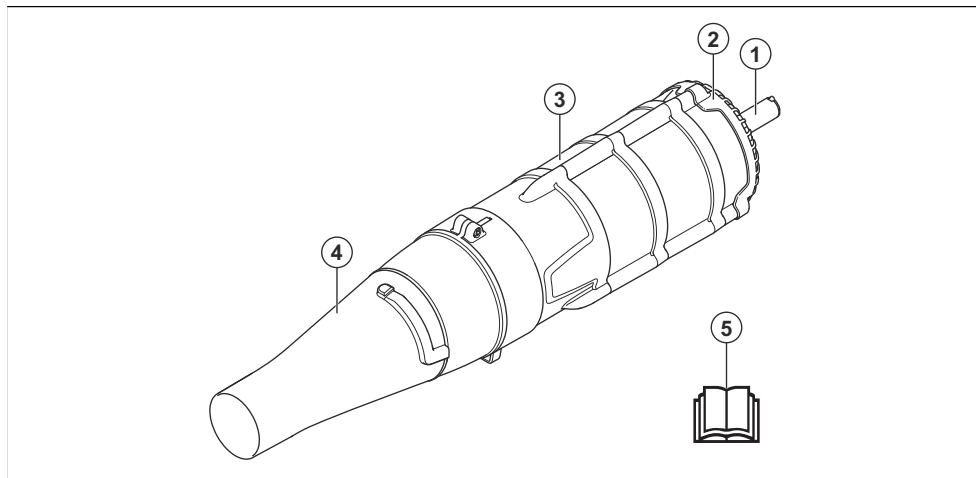
Beoogd gebruik



WAARSCHUWING: Dit opzetstuk mag alleen samen met de bedoelde voedingseenheid worden gebruikt. Zie het hoofdstuk over accessoires in de bedieningshandleiding van de voedingseenheid.

Het opzetstuk is alleen bedoeld voor het schoonblazen van gazons, paden, asfaltwegen en dergelijke.

Overzicht opzetstukken



1. Steel
2. Luchtinlaatrooster
3. Ventilatorbehuizing
4. Luchtmondstuk
5. Gebruikershandleiding



Lees de bedieningshandleiding zorgvuldig door en zorg dat u de instructies hebt begrepen voordat u het opzetstuk gaat gebruiken.



Symbolen op het opzetstuk en de voedingseenheid



Onachtzaam of onjuist gebruik van dit opzetstuk kan ernstig of dodelijk letsel aan de gebruiker of anderen toebrengen.



Dit opzetstuk voldoet aan de geldende EG-richtlijnen.



Gebruik goedgekeurde gehoor-, oog- en ademhalingsbescherming.



Draag goedgekeurde veiligheidshandschoenen.



Geluidsemissies naar het omgevingslabel volgens de richtlijnen en voorschriften van de EU en het VK en de wetgeving van Nieuw-Zuid-Wales "Protection of the Environment Operations (Noise Control) Regulation 2017". Het gegarandeerde geluidsvermogensniveau van het product

staat vermeld in *Technische gegevens op pagina 137* en op het label.



De gebruiker van de blazer dient ervoor te zorgen dat geen mensen of dieren dichterbij komen dan 15 meter. Indien meerdere gebruikers werken in hetzelfde werkgebied, is de onderlinge veiligheidsafstand min. 15 meter. De bladblazer kan voorwerpen met geweld wegslingeren, die terug kunnen kaatsen. Dit kan leiden tot ernstig oogletsel, als de aanbevolen veiligheidsuitrusting niet wordt gebruikt.

Let op: Overige op het opzetstuk aangegeven symbolen/plaatjes verwijzen naar specifieke eisen aan certificering voor bepaalde markten.

Veiligheid

Veiligheidsdefinities

Waarschuwingen, voorzorgsmaatregelen en opmerkingen worden gebruikt om te wijzen op belangrijke delen van de gebruikershandleiding.



WAARSCHUWING: Wordt gebruikt om te wijzen op de kans op ernstig of fataal letsel voor de gebruiker of omstanders wanneer de instructies in de handleiding niet worden gevolgd.



OPGELET: Wordt gebruikt indien er een risico bestaat op schade aan het product en/of het hulpstuk, andere materialen of aan de omgeving wanneer de instructies in de handleiding niet worden gevolgd.

Let op: Geven verdere informatie die nodig is in een bepaalde situatie.

Veiligheidswaarschuwingen tuinbladblazer, tuinstofzuiger en tuinbladblazer/-stofzuiger

- **Controleer vóór het gebruik de voedings- en eventuele verlengkabels op tekenen van beschadiging of veroudering.** Raak de kabel niet aan voor u de stroomtoevoer afsluit. Gebruik de machine niet als de kabel beschadigd of versleten is. Een beschadigde voedingskabel kan leiden tot elektrische schokken, brand en/of ernstig letsel.
- **Gebruik de machine niet bij slechte weersomstandigheden, vooral wanneer er een risico**

op bliksem bestaat. Dit vermindert het risico op blikseminslag.

- **Draag oog- en gehoorbescherming.** Door geschikte beschermende uitrusting te dragen verkleint u het risico op letsel.
- **Draag tijdens het bedienen van de machine altijd beschermend schoeisel met antislipzool. Bedien de machine niet op blote voeten of met open sandalen aan.** Dit verlaagt het risico op letsel aan de voeten.
- **Draag geen loszittende kleding of artikelen zoals sjaals, touwtjes, kettingen, stropdassen, enz. die in de luchtinlaten gezogen kunnen worden. Bind lang haar vast of bedek het, om te voorkomen dat het in de luchtinlaten wordt gezogen.** Als een van deze voorwerpen in de luchtinlaten wordt gezogen, kan dit het risico op letsel vergroten.
- **Houd omstanders uit de buurt tijdens het bedienen van de machine.** Weggeslingerde vuil kan het risico op letsel vergroten.
- **Richt het mondstuk van de bladblazer nooit in de richting van mensen of huisdieren of in de richting van ramen. Wees extra voorzichtig bij het blazen van vuil in de buurt van solide voorwerpen, zoals bomen, auto's en muren, waartegen vuil kan afketsen.** Weggeslingerde voorwerpen kunnen eigendommen beschadigen en het risico op letsel vergroten.
- **Gebruik de machine niet om brandende of rokende voorwerpen weg te blazen, zoals sigaretten, lucifers of hete as.** Deze ontstekingsbronnen kunnen het brandgevaar vergroten.
- **Raak de ventilator niet aan terwijl deze nog in beweging is. Schakel de machine uit en wacht tot de ventilator stopt voordat u onderdelen verwijdert die toegang kunnen geven tot de ventilator.** Dit verlaagt het risico op letsel door bewegende delen.
- **Wanneer u vastgelopen materiaal verwijdert of onderhoud aan de machine uitvoert, moet u**

zorgen dat de aan/uit-schakelaar is uitgeschakeld.

Indien de machine onverwacht wordt gestart tijdens het verwijderen van vastgelopen materiaal of onderhoud, kan dit leiden tot ernstig persoonlijk letsel.

Algemene veiligheidsinstructies



WAARSCHUWING: Lees de volgende veiligheidsinstructies voordat u het opzetstuk gebruikt.

- Lees de gebruikershandleiding zorgvuldig door en zorg dat u de instructies hebt begrepen voordat u het opzetstuk gebruikt.
- De bedieningshandleiding moet samen met de bedieningshandleiding voor de voedingseenheid worden gelezen om de volledige gebruikersinformatie te verkrijgen.
- De oorspronkelijke vormgeving van het opzetstuk mag in geen enkel geval gewijzigd worden zonder toestemming van de fabrikant. Gebruik nooit een opzetstuk dat gewijzigd lijkt te zijn door anderen, en gebruik altijd originele accessoires. Niet goedgekeurde wijzigingen en/of niet-originele onderdelen kunnen tot ernstig persoonlijk letsel of de dood van zowel gebruiker als omstanders leiden.

Veiligheidsinstructies voor bediening



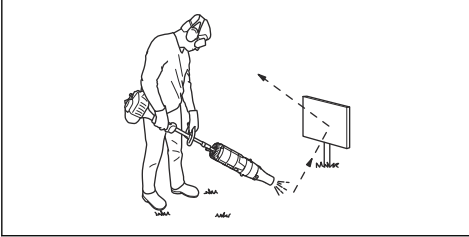
WAARSCHUWING: Lees de volgende waarschuwingen voordat u het product gaat gebruiken.



WAARSCHUWING: Dit product produceert tijdens bedrijf een elektromagnetisch veld. Dit veld kan onder bepaalde omstandigheden de werking van actieve of passieve medische implantaten verstoren. Om het risico op ernstig of fataal letsel te beperken, raden wij personen met een medisch implantaat aan om contact op te nemen met hun arts en de fabrikant van het medische implantaat voordat ze dit product gaan bedienen.

- Gebruik het product nooit als u moe bent, ziek bent, alcohol hebt gedronken of andere drugs heeft ingenomen of wanneer u medicijnen gebruikt die uw gezichtsvermogen, beoordelingsvermogen of coördinatievermogen negatief beïnvloeden.
- Gebruik nooit een machine die defect is.
- Alle kappen en beschermkappen moeten gemonteerd zijn voor de start. Als u een product hebt dat op benzine werkt, controleer dan of de bougiekop en ontstekingskabel onbeschadigd zijn om het risico van een elektrische schok te voorkomen.
- De gebruiker van de blazer dient ervoor te zorgen dat geen mensen of dieren dichterbij komen dan 15 meter. Indien meerdere gebruikers werken in hetzelfde werkgebied, is de onderlinge veiligheidsafstand min. 15 meter.
- Laat nooit kinderen het product gebruiken.
- Laat nooit iemand anders het product gebruiken zonder dat u zeker weet dat hij of zij de gebruikershandleiding heeft gelezen en begrepen.
- Verwijder het luchtinlaatrooster nooit.
- Raak de bougie of de ontstekingskabel nooit aan terwijl de motor loopt. Aanraken van de bougie of stekker kan leiden tot elektrische schokken.
- Neem altijd contact op met de plaatselijke overheid en controleer of u de op u van toepassing zijnde bepalingen naleeft.
- Houd alle lichaamsdelen uit de buurt van hete oppervlakken.
- Wanneer u in een situatie belandt waarin u niet goed weet hoe u verder te werk moet gaan, moet u een expert raadplegen. Wend u tot uw dealer of uw servicewerkplaats. Gebruik de machine nooit voor taken waarvoor u niet voldoende gekwalificeerd bent.
- Houd de mond van de blaaspijp zo dicht mogelijk bij de grond. Gebruik de volledige lengte van de blaaspijp om de luchtstroom dicht bij de grond te houden.
- Gebruik de machine tijdens normale werktijden om onnodige overlast te vermijden. Vermijd werkzaamheden 's morgens vroeg of 's avonds laat.
- Let op uw omgeving. Mocht iemand uw werkteerrein naderen, laat dan de gashendel/voedingsschakelaar los tot de persoon weer op gepaste afstand is. Richt de blazer weg van personen, dieren, speelplaatsen, open ramen, auto's, enz. Door de kracht van de lucht kunnen stenen, vuil of stokken worden weggeworpen of afgeketst en mensen of dieren verwonden, glas breken of andere schade veroorzaken.
- Steek uw handen of andere voorwerpen nooit in de behuizing van de blazer om ernstig letsel door de draaiende rotor te voorkomen.
- Houd het buitenoppervlak vrij van olie en brandstof.
- Nooit gebruiken voor het verspreiden van chemicaliën, kunststof of andere stoffen die mogelijk giftige bestanddelen bevatten.
- Om verspreiding van vuur te voorkomen mag de blazer nooit gebruikt worden in de buurt van brandende bladeren of struiken, haarden, barbecues, asbakken enz.
- Dompel het opzetstuk nooit onder en bespreek het nooit met water of enige andere vloeistof.
- Gebruik altijd beide handen om de machine vast te houden. Houd de machine naast uw lichaam.
- Als u een product hebt dat op benzine werkt, laat de motor dan afkoelen voordat u brandstof bijvult.
- De krachtige luchtstroom kan voorwerpen met zo'n snelheid verplaatsen dat ze terug kunnen

stuiten en ernstige schade aan uw ogen kunnen veroorzaken.



- Schakel de motor uit voordat u accessoires of andere onderdelen monteert of demonteert.
- Gebruik het product nooit bij ongunstige weersomstandigheden, bijvoorbeeld bij mist, regen, bij harde wind, hevige koude, enz. Het gebruik bij ongunstige weersomstandigheden is vermoeiend en kan tot gevaarlijke situaties leiden, bijvoorbeeld gladde oppervlakken.
- Zorg ervoor dat u veilig kunt gaan en staan. Controleer of er eventuele hindernissen zijn als u onverwacht snel moet kunnen wegkomen (wortels, stenen, takken, kuilen, greppels enz.). Wees extra voorzichtig wanneer u op hellend terrein werkt.



- Leg het product nooit neer terwijl de motor draait, tenzij u er goed zicht op hebt.
- Hebt u een product dat op benzine werkt? De uitlaatgassen bevatten koolmonoxide. Dit kan koolmonoxidevergiftiging veroorzaken. Start of gebruik het product daarom nooit binnenshuis of op een slecht geventileerde plek.
- De blazer mag niet worden gebruikt op een ladder, steiger of op hoge plaatsen (zoals daken). Dit kan leiden tot ernstig letsel.



- Gebruik het product nooit zonder de mogelijkheid hulp in te roepen in geval van nood.

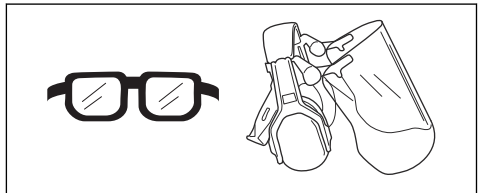
- Plaats nooit voorwerpen in de luchtinlaatopening, omdat dit een goede luchtstroom kan belemmeren en schade aan de unit kan veroorzaken.
- Zorg ervoor dat het product geen hek, boom of ander hard materiaal kan raken. Dit kan schade aan de machine en ernstig letsel veroorzaken.
- Let als u gehoorbescherming draagt op waarschuwingssignalen of geschreeuw. Doe uw gehoorbescherming altijd af nadat de motor is gestopt.

Persoonlijke beschermingsuitrusting

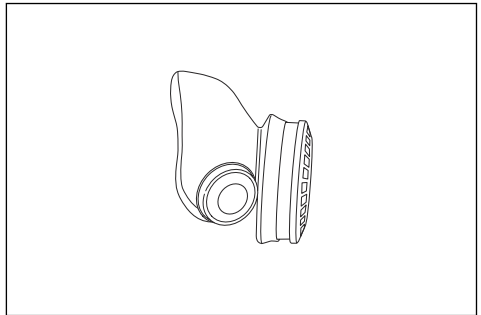


WAARSCHUWING: Lees de volgende waarschuwingen voordat u het product gaat gebruiken.

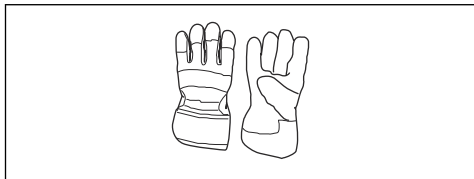
- Draag tijdens het gebruik van het product altijd goedgekeurde persoonlijke beschermingsuitrusting. Persoonlijke beschermingsuitrusting kunnen niet alle risico's uitsluiten maar kunnen de ernst van eventueel letsel helpen beperken. Vraag uw dealer u te helpen bij het kiezen van de juiste beschermingsmiddelen.
- Gebruik goedgekeurde gehoorbescherming met voldoende dempvermogen. Langdurige blootstelling aan lawaai kan leiden tot permanente gehoorbeschadiging.
- Gebruik goedgekeurde oogbescherming. Als u een vizier gebruikt, moet u ook een goedgekeurde veiligheidsbril gebruiken. Een goedgekeurde veiligheidsbril moet voldoen aan de norm ANSI Z87.1 voor de VS of EN 166 voor de EU-landen.



- Gebruik ademhalingsbescherming wanneer het risico van het vrijkomen van stof bestaat.



- Draag indien nodig handschoenen, bijvoorbeeld bij het monteren, inspecteren of reinigen van de uitrusting.

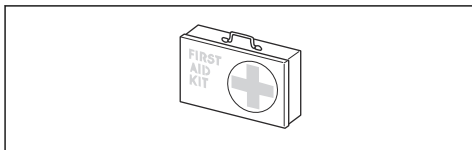


- Gebruik stevige laarzen of schoenen met antislipzool.



- Gebruik kleding van stevige stof. Gebruik altijd een zware lange broek en lange mouwen. Gebruik geen loszittende kleding die gemakkelijk kan blijven haken aan takjes en struikgewas. Draag geen sieraden, korte broek of sandalen of loop niet op blote voeten. Bind voor de veiligheid lang haar samen tot boven schouderhoogte.

- Houd een EHBO-does binnen handbereik.



Veiligheidsinstructies voor onderhoud



WAARSCHUWING: Lees de volgende waarschuwingen voordat u het product gebruikt.

Voer voor gebruik een algemene inspectie van het product uit. Zie het onderhoudsschema.

Volg de onderhouds- en service-instructies van deze handleiding. Bepaalde onderhouds- en servicemaatregelen moeten door opgeleide en gekwalificeerde specialisten worden uitgevoerd. Zie de instructies in het hoofdstuk Onderhoud.

Controleer altijd of het luchtinlaatrooster door voorwerpen wordt belemmerd voordat u werkzaamheden uitvoert.

Om schade aan het product door vallen te voorkomen, moet montage en demontage laag aan de grond worden uitgevoerd.

Werking

Het opzetstuk gebruiken

Let op: Houd rekening met de mensen in uw omgeving door de machine niet te gebruiken op ongebruikelijke tijdstippen, bijvoorbeeld 's avonds laat of 's morgens vroeg. Verlaag het geluidsniveau door het aantal uitrustingsseenheden dat gelijktijdig wordt gebruikt te beperken. Lees de onderstaande eenvoudige adviezen door en volg ze om uw omgeving zo min mogelijk te storen.

1. Gebruik een hark of een bezem om het vastzittende vuil van de grond los te maken.
2. Maak hoeken schoon door in de hoeken te beginnen en naar buiten toe te werken. Dit helpt opeenhoping van vuil te voorkomen, dat in uw gezicht terecht kan komen.
3. Gebruik de blazer op de laagst mogelijke snelheid. Het is zelden nodig om de vol gas te gebruiken. Veel werkzaamheden kunnen op half gas uitgevoerd worden. Een lager vermogen zorgt voor minder lawaai en minder stof. Bovendien vliegt het verzamelde/verplaatste afval dan ook niet alle kanten op.
4. Beperk de blaastijd tot een minimum door stoffige gebieden met behulp van sproeiapparatuur te bevochtigen.
5. Verminder het waterverbruik door blazers in plaats van waterslangen voor verschillende toepassingen rond het gazon en de tuin te gebruiken, bijvoorbeeld bij latwerk, schuttingen, roosters en veranda's.
6. Wees voorzichtig als u in de buurt van planten werkt. De kracht van de luchtstroom kan kwetsbare planten beschadigen.
7. De snelheid van de luchtstraal regelt u met behulp van de gashendel/voedingschakelaar. Kies de snelheid, die het best geschikt is voor de desbetreffende toepassing.
8. Let op de windrichting. Werk met de wind mee om uw werk te vergemakkelijken.
9. Het is tijdrovend om de bladblazer te gebruiken om grote bergen te verplaatsen en het creëert onnodig lawaai.
10. Zorg voor een goede balans en een stabiele houding.
11. Houd voldoende afstand tussen de pijp en grond om te voorkomen dat ze elkaar raken wanneer u met het product werkt.

12. Ruim uw rommel op. Vergewis u ervan dat u geen vuil op het erf van iemand anders heeft geblazen. Gooi afval in de vuilnisbak.

13. Wanneer het werk is voltooid, moet het product horizontaal worden opgeslagen.

Onderhoud

Inleiding

Hieronder worden algemene onderhoudsvorschriften opgesomd. Neem contact op met uw dealer indien u meer informatie behoeft.

Dagelijks onderhoud uitvoeren aan het opzetstuk



WAARSCHUWING: Schakel altijd de motor uit voordat u het opzetstuk reinigt of onderhoud uitvoert. Als u een product hebt dat op benzine werkt, koppel dan de ontstekingskabel los van de bougie. Als u een product hebt dat op een accu werkt, verwijdert u de accu.



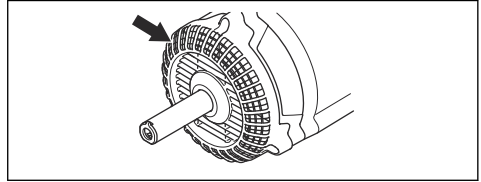
WAARSCHUWING: Houd alle lichaamsdelen uit de buurt van hete oppervlakken.

1. Reinig het buitenoppervlak van de blazer.
2. Controleer of de behuizingen geen scheuren vertonen.

3. Controleer of het product in goede staat is.
4. Controleer of alle moeren en schroeven goed zijn vastgedraaid.
5. Reinig de labels met een vochtige doek met een mild reinigingsmiddel.

Het luchtinlaatrooster controleren

1. Controleer of de luchtinlaat aan geen enkele zijde wordt geblokkeerd door bijvoorbeeld bladeren of vuil. Een verstopte luchtinlaat vermindert de blaascapaciteit van het product en verhoogt de bedrijfstemperatuur van de motor, wat tot motorschade kan leiden. Stop de motor en verwijder het voorwerp.



Vervoer, opslag en verwerking

Transport en opbergen

Voer telkens na gebruik de volgende stappen uit:

- Laat het accessoire afkoelen voordat u het opbergt of transporteert.
- Berg het op een hoge, koele, droge plaats binnen op, buiten het bereik van kinderen.

Seizoensopslag

Maak het opzetstuk klaar voor opslag aan het eind van het seizoen of als het gedurende 30 dagen of langer niet wordt gebruikt. Als u het blazeraccessoire gedurende langere tijd wilt opslaan:

- Reinig de unit.
- Controleer het accessoire op loszittende of beschadigde onderdelen. Draai losse schroeven vast.

- Vervang beschadigde, versleten of defecte onderdelen.
- Gebruik aan het begin van het volgende seizoen uitsluitend nieuwe brandstof met de juiste benzine-olieverhouding.

Afvoeren

- Neem de plaatselijk geldende wet- en regelgeving voor recycling in acht.
- Wanneer het product niet langer in gebruik is, stuur het dan naar een Husqvarna dealer of voer het af via een recyclingslocatie.

Technische gegevens

Technische gegevens voor producten die op benzine werken

BA101	
Gewicht	
Gewicht, kg	1,9
Geluidsemissies	
Geluidsvermogensniveau, gemeten dB(A)	111
Geluidsvermogensniveau, gegarandeerd L_{WA} dB (A)	114
Geluidsniveaus ⁹²	
Equivalent geluidsdrumniveau bij het oor van de gebruiker, gemeten volgens EN 15503 dB(A)	99
Trillingsniveau ⁹³	
Equivalent trillingsniveaus ($a_{hv,eq}$) in de handgrepen, gemeten volgens EN 15503, m/s ²	
Voorste/achterste handgrepen:	5,6/8,3
Ventilatorprestaties ⁹⁴	
Max. luchtsnelheid met standaard mondstuk, m/s:	46
Luchtstroom met standaard mondstuk, m ³ /min	14

Technische gegevens voor producten die op een accu werken

325iLK + Blower attachment BA101	
Gewicht	
Gewicht, kg	2,3+1,9
Geluidsemissies ⁹⁵	
Geluidsvermogensniveau, gemeten dB(A)	103
Geluidsvermogensniveau, gegarandeerd L_{WA} dB (A)	106

⁹² De waarde van het equivalente geluidsdrumniveau is berekend aan de hand van een werkcyclus met een duur van 1/7 voor stationair en 6/7 voor topsnelheid. De gerapporteerde gegevens voor een vergelijkbaar geluidsdrumniveau voor de machine vertonen een typische statistische spreiding (standaardafwijking) van 1 dB(A).

⁹³ Het equivalente trillingsniveau wordt berekend aan de hand van een werkcyclus met een duur van 1/7 stationair en 6/7 voor topsnelheid. De gerapporteerde gegevens voor een vergelijkbaar trillingsniveau vertonen een typische statistische dispersie (standaardafwijking) van 1 m/s².

⁹⁴ Samen met de 525LK/GC2225C-motor.

⁹⁵ Geluidsemissie naar de omgeving gemeten als geluidsvermogen (L_{WA}) volgens EG-richtlijn 2000/14/EG. Het gerapporteerde geluidsvermogensniveau voor de machine is gemeten met de originele snijuitrusting die het hoogste niveau geeft. Het verschil tussen gegarandeerd en gemeten geluidsvermogen is dat het gegarandeerde geluidsvermogen ook spreiding in het meetresultaat omvat en de verschillen tussen de verschillende machines van hetzelfde model conform Richtlijn 2000/14/EG.

325iLK + Blower attachment BA101	
Geluidsniveaus ⁹⁶	
Geluidsdrukniveau bij het oor van de gebruiker, gemeten volgens ISO 26868 dB(A)	
Uitgerust met goedgekeurde accessoire (origineel), dB(A)	93
Trillingsniveau ⁹⁷	
Trillingsniveaus in de handgrepen, gemeten volgens EN 62841-1, m/s ²	
Uitgerust met goedgekeurde accessoire (origineel), links/rechts m/s	1,6/1,1
Ventilatorprestaties ⁹⁸	
Luchtstroom in normale modus met standaard mondstuk, m ³ /min	14
Maximale lichtsnelheid in normale modus met standaard mondstuk, m/s:	45

⁹⁶ De gerapporteerde gegevens voor het geluidsdrukniveau van de machine vertonen een typische statistische spreiding (standaardafwijking) van 3 dB (A) en zijn gemeten met het originele opzetstuk dat het hoogste niveau geeft. Gemeten in combinatie met de 325iLK-motoreenheid.

⁹⁷ De gerapporteerde gegevens voor een trillingsniveau vertonen een typische statistische spreiding (standaardafwijking) van 2 m/s². Gebruik voor vergelijking van trillingsniveaus, accu's en verbrandingsproducten de trillingscalculator op: <https://www.husqvarna.com/uk/services-solutions/vibration-calculator/>. Gemeten in combinatie met de 325iLK-motoreenheid.

⁹⁸ Gemeten in combinatie met de 325iLK-motoreenheid.

Verklaring van overeenstemming

EU-verklaring van overeenstemming

Wij, **Husqvarna AB**, SE-561 82 Huskvarna, Zweden, tel: +46-36-146500, verklaren onder onze alleenverantwoordelijkheid dat het product:

Beschrijving	Opzetstuk blazer
Merk	Husqvarna
Type/model	BA101
Identificatie	Serienummers vanaf 2022 en verder

volledig voldoet aan de volgende EU-richtlijnen en -regelgeving:

Verordening	Beschrijving
2006/42/EG	"betreffende machines"
2000/14/EG	"betreffende de geluidsemissies in het milieu"
2011/65/EU	"inzake beperking van het gebruik van bepaalde gevaarlijke stoffen in elektrische en elektronische apparatuur"

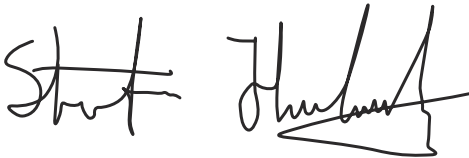
en dat de volgende normen en/of technische specificaties zijn toegepast: EN 15503:2009+A2:2015, EN ISO 12100:2021, EN IEC 63000:2018.

SMP Svensk Maskinprovning AB, Box 4053, SE-904 03 Umeå, Sweden heeft een vrijwillig typeonderzoek ondergaan in overeenstemming met bijlage IX van 2006/42/EG.

Certificaatnummer: SEC/15/2416 – Husqvarna BA101.

Voor informatie over geluidsemissies, zie *Technische gegevens op pagina 137*.

Huskvarna, 2022-05-09



Stefan Holmberg, Directeur R&D,
Technologiemanagement, Husqvarna AB

Verantwoordelijk voor technische documentatie



EU-verklaring van overeenstemming

Wij, **Husqvarna AB**, SE-561 82 Huskvarna,
Zweden, tel: +46-36-146500, verklaren onder onze
alleenverantwoordelijkheid dat het product:

Beschrijving	Opzetstuk blazer met voedingsunit Husqvarna 325iLK
Merk	Husqvarna
Type/model	BA101
Identificatie	Serienummers vanaf 2022 en verder

volledig voldoet aan de volgende EU-richtlijnen en
-regelgeving:

Verordening	Beschrijving
2006/42/EG	"betreffende machines"
2000/14/EG	"betreffende de geluidsemisies in het milieu"
2011/65/EU	"inzake beperking van het gebruik van bepaalde gevaarlijke stoffen in elektrische en elektro- nische apparatuur"

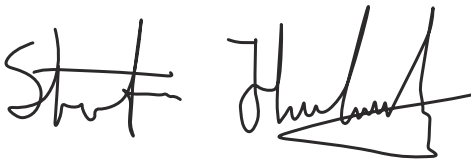
en dat de volgende normen en/of technische
specificaties zijn toegepast: IEC 62841-4-6, EN ISO
12100:2021, EN IEC 63000:2018.

SMP Svensk Maskinprovning AB, Box 4053, SE-904
03 Umeå, Sweden heeft een vrijwillig typeonderzoek
ondergaan in overeenstemming met bijlage IX
van 2006/42/EG. Certificaatnummer: SEC/15/2416 –
Husqvarna BA101.

SMP Svensk Maskinprovning AB, heeft ook
overeenstemming bevestigd met bijlage V van de
richtlijn 2000/14/EG van de raad. Certificaatnummer:
01/012/014.

Voor informatie over geluidsemisies, zie *Technische
gegevens op pagina 137*.

Huskvarna, 2022-05-09



Stefan Holmberg, Directeur R&D,
Technologiemanagement, Husqvarna AB
Verantwoordelijk voor technische documentatie



INNHold

Innledning.....	141	Transport, oppbevaring og avhending.....	146
Sikkerhet.....	142	Tekniske data.....	146
Drift.....	145	Samsvarserklæring.....	148
Vedlikehold.....	145		

Innledning

Produktbeskrivelse

Vi arbeider løpende med å videreutvikle produktene våre og forbeholder oss derfor retten til endringer vedrørende bl.a. form og utseende uten varsel.

Merk: Denne bruksanvisningen dekker både bensindrevne og batteridrevne strømenheter.

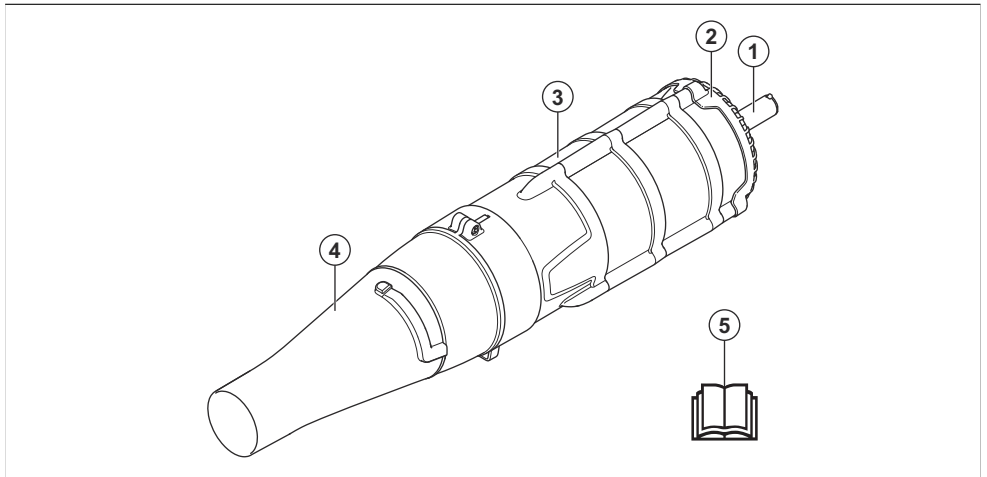
Bruksområder



ADVARSEL: Dette tilbehøret kan bare brukes sammen med den tiltenkte strømforsyningsenheten. Se kapittelet om tilbehør i brukerhåndboken for strømforsyningsenheten.

Tilbehøret er kun konstruert for blåsing av gressplener, gangveier, asfaltveier og liknende.

Oversikt over tilbehør



1. Riggør
2. Luftinntaksskjerm
3. Viftehus
4. Luftdyse
5. Bruksanvisning



Les bruksanvisningen nøye, og forsikre deg om at du forstår instruksjonene før du bruker utstyret.



Symboler på utstyret og strømenheten



Uforsiktig eller feilaktig bruk av dette utstyret kan resultere i alvorlige skader eller dødsfall for brukeren eller andre.



Dette utstyret er i overensstemmelse med gjeldende EU-direktiver.



Bruk godkjent vern for hørsel, øyne og åndedrett.



Bruk godkjente vernehansker.



Støyutslipp til omgivelsene som i EU-direktiver og forskrifter, britiske direktiver og forskrifter og New South Wales-forskriften «Protection of the Environment Operations (Noise Control) Regulation 2017». Garantert lydeffektnivå for

produktet er angitt i *Tekniske data på side 146* og på etiketten.



Brukeren av løvblåseren må sørge for at mennesker og dyr er minst 15 meter unna når løvblåseren er i bruk. Når flere arbeider på samme sted, skal sikkerhetsavstanden være minst 15 meter. Løvblåseren kan kaste gjenstander med stor kraft, og disse kan sprette tilbake. Dette kan føre til alvorlige øyeskader hvis ikke anbefalt verneutstyr brukes.

Merk: Øvrige symboler/klistremerker på tilbehøret gjelder spesifikke krav for sertifiseringer på visse markeder.

Sikkerhet

Sikkerhetsdefinisjoner

Advarsler, oppfordringer og merknader brukes for å understreke spesielt viktige deler av bruksanvisningen.



ADVARSEL: Brukes hvis det er fare for personskade eller død for føreren eller andre personer om instruksjonene i håndboken ikke følges.



OBS: Brukes hvis det er fare for skade på produktet og/eller tilbehør, annet materiell eller det nærliggende området hvis instruksjonene i bruksanvisningen ikke følges.

Merk: Brukes for å gi mer nødvendig informasjon for en spesifikk situasjon.

Sikkerhetsadvarsler for hageblåser, hagestøvsuger hageblåser-/støvsuger

- **Før bruk må du kontrollere strømledningen og skjøteledningen etter tegn på skade eller aldring.** Ikke berør ledningen før strømforsyningen er koblet fra. Maskinen må ikke brukes hvis ledningen er skadet eller slitt. En skadet strømledning kan føre til elektrisk støt, brann og/eller alvorlig personskade.
- **Ikke bruk maskinen i dårlig vær, spesielt når det er fare for tordenvær.** Dette øker faren for å bli truffet av lynnedslag.
- **Bruk vernebriller og hørselsvern.** Tilstrekkelig verneutstyr reduserer faren for personskader.
- **Bruk alltid sklisikkert og beskyttende fottey når du bruker maskinen.** Vær ikke barbert og bruk

ikke åpne sandaler når du bruker maskinen. Dette reduserer faren for skader på føttene.

- **Ikke bruk løstsittende klær eller plagg som skjørt, snorer, kjeder, slips osv. som kan trekkes inn i luftinntakene.** Sett opp eller dekk til langt hår for å sikre at det ikke trekkes inn i luftinntakene. Hvis noen av disse elementene trekkes inn i luftinntakene, øker det faren for personskade.
- **Hold tilskuere på avstand når du bruker maskinen.** Flygende gjenstander kan øke faren for personskade.
- **Rett aldri blåsermunnstykket mot mennesker eller kjøledyr eller mot vinduer.** Vær ekstra forsiktig når du blåser rusk nær faste gjenstander, for eksempel trær, biler og vegger som kan føre til at rusk spretter tilbake. Gjenstander som slynges ut kan skade eiendeler og øke faren for personskade.
- **Ikke bruk maskinen til å blåse bort ting som brenner eller ryker, for eksempel sigaretter, fyrstikker eller varm aske.** Disse antennelseskildene kan øke faren for brann.
- **Ikke berør viften mens den fortsatt er i bevegelse.** Slå av maskinen og vent til viften stopper før du fjerner noen deler som kan gi tilgang til viften. Dette reduserer faren for skader fra bevegelige deler.
- **Når du fjerner fastkjørt materiale eller utfører service på maskinen, må du kontrollere at strømbryteren er av.** Hvis maskinen startes uventet mens du fjerner fastkjørt materiale eller utfører service, kan det oppstå alvorlig personskade.

Generelle sikkerhetsinstruksjoner



ADVARSEL: Les de følgende sikkerhetsinstruksjonene før du bruker tilbehøret.

- Les nøye gjennom bruksanvisningen, og forstå innholdet før du bruker tilbehøret.
- Denne brukerhåndboken må leses sammen med brukerhåndboken for at strømforsyningsenheten skal få fullstendig brukerinformasjon.
- Den opprinnelige konstruksjonen til tilbehøret må ikke under noen omstendigheter endres uten tillatelse fra produsenten. Ikke bruk et tilbehør som ser ut til å ha blitt modifisert av andre, og bruk alltid originalt tilleggsutstyr. Uautoriserte endringer og/eller tilleggsutstyr kan medføre alvorlige skader eller dødsfall for brukeren eller andre.
- Hold blåserørets munnung så nær bakken som mulig. Bruk hele lengden av blåserøret for å holde luftstrømmen nær bakken.
- Bruk maskinen i vanlig arbeidstid for å unngå unødige forstyrrelse. Unngå å arbeide tidlig om morgenen og sent om kvelden.
- Vær oppmerksom på omgivelsene. Hvis noen nærmer seg arbeidsområdet, må du slippe gass-/effektutløseren til personen er på trygg avstand. Rett luftstrålen bort fra mennesker, dyr, lekeplasser, åpne vinduer, biler osv. Luftstrålen kan føre til at steiner, jord eller pinner blir slynget ut eller spretter tilbake og kan skade mennesker eller dyr, knuse glass eller føre til andre skader.

Sikkerhetsinstruksjoner for drift

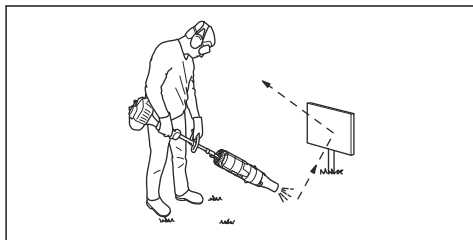


ADVARSEL: Les de følgende advarselsinstruksjonene før du bruker produktet.



ADVARSEL: Dette produktet danner et elektromagnetisk felt når det er i bruk. Dette feltet kan under visse forhold forstyrre aktive eller passive medisinske implantater. For å redusere faren for forhold som kan føre til alvorlig eller livstruende skade, anbefaler vi at personer med medisinske implantater rådfører seg med sin lege og produsenten av det medisinske implantatet før dette produktet tas i bruk.

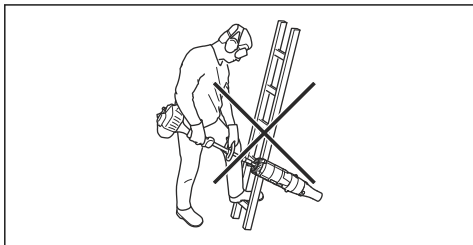
- Bruk aldri produktet hvis du er trett, syk, har drukket alkohol eller bruker medisiner som kan påvirke syn, vurderingsevne eller kroppskontroll.
- Bruk aldri et defekt produkt.
- Samtlige deksler og beskyttelser må være montert før start. Hvis du har et bensindrevet produkt, må du påse at tennplugghetten og tenningskabel er uskadd for å unngå risiko for elektrisk støt.
- Brukeren av løvblåseren må sørge for at mennesker og dyr er minst 15 meter unna når løvblåseren er i bruk. Når flere arbeider på samme sted, skal sikkerhetsavstanden være minst 15 meter.
- Tillat aldri barn å bruke produktet.
- La aldri noen andre bruke produktet før du har for sikret deg om at de har lest og forstått innholdet i bruksanvisningen.
- Luftinntaksskjermen må aldri fjernes.
- Berør aldri tennpluggen eller tenningskabelen mens motoren er i gang. Du kan få elektrisk støt av å ta på tennpluggen eller pluggen.
- Kontakt alltid lokale myndigheter og sørg for at du følger gjeldende direktiver.
- Hold alle deler av kroppen borte fra varme overflater.
- Når du kommer ut for en situasjon som gjør deg usikker på fortsatt bruk, skal du rådføre deg med en ekspert. Henvend deg til din forhandler eller ditt serviceverksted. Unngå all bruk som du ikke føler deg kvalifisert til.
- Stopp motoren før montering eller demontering av tilbehør eller andre deler.
- Bruk aldri produktet i dårlig vær, for eksempel i tett tåke, kraftig regn, sterk vind, kraftig kulde osv. Det er slitsomt å arbeide i dårlig vær, og det kan skape farlige forhold, for eksempel glatt underlag.
- Sørg for at du kan gå og stå sikkert. Se etter eventuelle hinder ved uventet forflytting (røtter,



steiner, greiner, groper, forhøyninger osv.). Vær meget forsiktig ved arbeid i skrånende terreng.



- Sett aldri produktet ned med motoren i gang uten at du har det under oppsikt.
- Hvis du har et bensindrevet produkt: Eksos fra forbrenningsmotorer inneholder karbonmonoksid, som kan gi forgiftning. Start eller kjør derfor aldri produktet innendørs, eller der det er dårlig luftsirkulasjon.
- Løvlåseren må ikke brukes i stiger eller på stillaser eller høyt over bakkeplan (f.eks. på tak). Slikt arbeid kan føre til alvorlig skade.



- Bruk aldri produktet uten mulighet til å kunne påkalle hjelp ved en ulykke.
- Plasser aldri gjenstander i luftinntaket, da dette kan føre til at luftstrømmen blokeres og det oppstår skader på enheten.
- Sørg for at produktet ikke treffer gjerder, trær eller andre harde materialer. Dette kan føre til skade på maskinen og medføre alvorlig personskade.
- Vær alltid oppmerksom på varsel signaler eller tilrop ved bruk av hørselsvern. Ta alltid av hørselvernet så snart motoren er stanset.

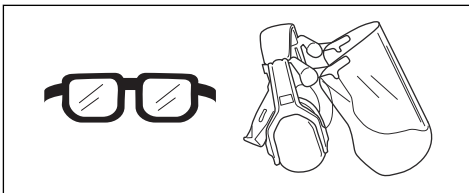
Personlig verneutstyr



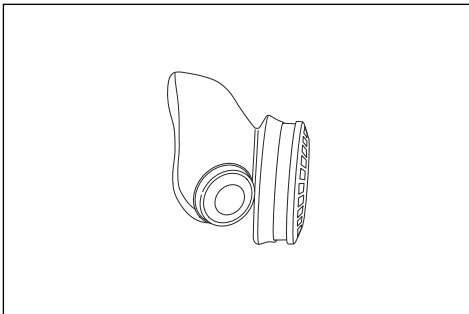
ADVARSEL: Les de følgende advarselsinstruksjonene før du bruker produktet.

- Benytt alltid godkjent verneutstyr når du bruker produktet. Verneutstyr kan aldri fullstendig forhindre skade, men det reduserer skadeomfanget hvis ulykken inntreffer. Spør forhandleren din om hjelp til å velge riktig utstyr.

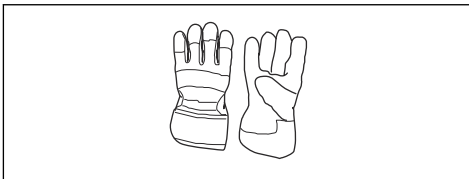
- Bruk godkjent hørselsvern med tilstrekkelig lydreduserende virkning. Langvarig eksponering overfor støy kan gi varige hørselsskader.
- Bruk godkjent øyevern. Ved bruk av visir skal det også brukes godkjente vernebriller. Godkjente vernebriller er slike som tilfredsstiller standard ANSI Z87.1 for USA eller EN 166 for EU-land.



- Bruk åndedrettsvern når det er risiko for støv.



- Bruk hansker når det er nødvendig, for eksempel når du fester, undersøker eller rengjør utstyret.



- Bruk sklisikre og solide støvler eller sko.



- Bruk klær av et slitesterkt materiale. Bruk alltid tykke langbukser og lange ermer. Unngå bruk av altfor vide klær som lett henger seg fast i kvister og grener. Ikke bruk smykker, kortbukser eller sandaler, og ikke gå barbert. Sett håret opp over skuldernivå.

- Ha førstehjelpsutstyr for hånden.



Sikkerhetsinstruksjoner for vedlikehold



ADVARSEL: Les de følgende advarselinstruksjonene før du bruker produktet.

Utfør en generell inspeksjon av produktet før bruk. Se vedlikeholdsskjemaet.

Følg vedlikeholds- og serviceinstruksjonene i denne bruksanvisningen. Noen vedlikeholds- og servicetiltak må utføres av erfarne og kvalifiserte spesialister. Se instruksjonene under overskriften Vedlikehold.

Kontroller alltid om det finnes gjenstander som kan blokkere luftinntaksskjermen før du begynner å arbeide.

For å hindre skade på grunn av at produktet faller, skal montering og demontering gjennomføres nær bakken.

Drift

Slik bruker du tilbehøret

Merk: Vis hensyn til personer i omgivelsene ved å unngå å bruke maskinen på ugunstige tidspunkt, eksempelvis sent om kvelden eller tidlig om morgenen. Reduser støynivået ved å begrense antall maskiner som brukes samtidig. Les gjennom og følg de enkle rådene under for å forstyrre omgivelsene minst mulig.

1. Bruk rake eller kost for å løsne fastsittende avfall fra bakken.
2. Rengjør hjørner ved å starte i hjørnet og bevege deg utover. Dette hindrer oppsamling av rusk som kan fyke opp i ansiktet ditt.
3. Bruk løvblåseren med lavest mulig gasspådrag/hastighet. Det er sjelden nødvendig å bruke fullt gasspådrag/hastighet. Mange arbeidsmomenter kan utføres med halvt gasspådrag/hastighet. Lavere gasspådrag/hastighet innebærer mindre støy og støv. Det er også lettere å ha kontroll over det avfallet som skal samles sammen/flyttes.
4. Reduser blåsetiden ved å væte støvete områder eller ved å bruke sprøytestyr.

5. Reduser vannforbruket ved å bruke løvblåser i stedet for vannslange til ulike bruksområder rundt plenen og hagen, for eksempel terrasser, skjærmer, rister, verandaer osv.
6. Vær forsiktig når du arbeider i nærheten av planter. Luftrykket kan skade planter.
7. Hastigheten på luftstrålen reguleres ved hjelp av gass/effektregulatoren. Velg den hastigheten som passer best for respektive bruk.
8. Vær oppmerksom på vindretningen. Arbeid i vindens retning for at arbeidet skal bli lettere.
9. Bruk av løvblåseren til å flytte store hauger er tidkrevende og skaper unødvendig støy.
10. Ha god balanse og sikkert fotfeste.
11. Hold avstand mellom røret og bakken for å unngå kontakt med bakken når du arbeider med produktet.
12. Rydd opp etter deg. Forviss deg om at du ikke har blåst avfall inn på annen matts eiendom. Kast avfall i avfallsbeholdere.
13. Etter avsluttet arbeid skal produktet oppbevares horisontalt.

Vedlikehold

Innledning

Nedenfor følger noen generelle vedlikeholdsinstruksjoner. Kontakt serviceverkstedet dersom du trenger ytterligere opplysninger.

Slik utfører du daglig vedlikehold på tilbehøret



ADVARSEL: Stans alltid motoren før du rengjør eller utfører vedlikehold på tilbehøret. Hvis du har et bensindrevet produkt, kobler du tenningskabelen fra

tennpluggen. Hvis du har et batteridrevet produkt, tar du ut batteriet.

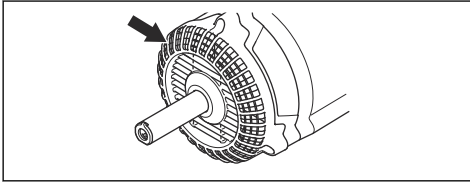


ADVARSEL: Hold alle deler av kroppen borte fra varme overflater.

1. Vask overflaten av løvblåseren.
2. Kontroller at alle husene er fri for sprekker.
3. Sørg for at produktet er i perfekt stand.
4. Kontroller at alle mutre og skruer er trukket til.
5. Rengjør etikettene med en myk klut tilsatt et mildt rengjøringsmiddel.

Kontroll av luftinntaksskjermen

1. Kontroller at luftinntaket ikke blokkeres av eksempelvis løv eller avfall. Et tilstoppet luftinntak reduserer produktets blåsekapasitet og øker motorens arbeidstemperatur, hvilket kan medføre motorhavari. Stans motoren og fjern gjenstanden.



Transport, oppbevaring og avhending

Transport og oppbevaring

Gjør følgende etter hver gangs bruk:

- La apparatet få avkjøle seg før lagring eller transport.
- Lagre apparatet på et høyt, kjølig og tørt sted innendørs, som er utilgjengelig for barn.

Lagring etter sesongen

Klargjør tilbehøret for lagring ved slutten av sesongen eller dersom den ikke skal brukes på 30 dager eller mer. Dersom løvblåseren skal lagres for en periode:

- Vask enheten.

- Kontroller utstyret for å se at ingen deler er løse eller skadde. Stram til eventuelle løse skruer.
- Skift ut alle skadede, slitte eller ødelagte deler.
- Ved begynnelsen av neste sesong må det kun benyttes nytt drivstoff med den riktige blandingen av bensin og olje.

Kassering

- Følg lokale gjenvinningsbestemmelser og gjeldende regelverk.
- Når produktet ikke lenger er i bruk, kan du sende det til en Husqvarna-forhandler eller kaste det ved et returpunkt.

Tekniske data

Tekniske data for bensindrevne produkter

BA101	
Vekt	
Vekt, kg	1,9
Støyutslipp	
Lydeffektnivå, målt dB (A)	111
Lydeffektnivå, garantert L_{WA} dB (A)	114
Lydnivåer⁹⁹	
Ekvivalent lydtrykksnivå ved brukerens øre, målt etter EN15503 dB(A)	99

⁹⁹ Verdien for ekvivalent lydtrykksnivå beregnes basert på en arbeidssyklus med en varighet på 1/7 for tomgang og 6/7 for kjøring. Rapporterte data for ekvivalent lydtrykksnivå for maskinen har en typisk statistisk spredning (standard avvik) på 1 dB(A).

BA101	
Vibrasjonsnivåer ¹⁰⁰	
Ekvivalente vibrasjonsnivåer ($a_{hv,eq}$) i håndtak, målt i henhold til EN 15503, m/s^2	
Fremre/bakre håndtak:	5,6/8,3
Vifteeffekt ¹⁰¹	
Maks. lufthastighet ved standardmunnstykke, m/s:	46
Luftmengde med standardmunnstykke, m^3/min	14

Tekniske data for batteridrevne produkter

325iLK + Blower attachment BA101	
Vekt	
Vekt, kg	2,3+1,9
Støyutslipp ¹⁰²	
Lydeffektnivå, målt dB (A)	103
Lydeffektnivå, garantert L_{WA} dB (A)	106
Lydnivåer ¹⁰³	
Lydtrykknivå ved brukerens øre, målt i henhold til ISO 26868 dB(A)	
Utstyrt med godkjent tilbehør (originalt), db (A)	93
Vibrasjonsnivåer ¹⁰⁴	
Vibrasjonsnivåer i håndtak, målt i henhold til EN 62841-1, m/s^2	
Utstyrt med godkjent tilbehør (originalt), venstre/høyre m/s	1,6/1,1
Vifteeffekt ¹⁰⁵	
Luftmengde i normal modus med standardmunnstykke, m^3/min	14
Maksimal lufthastighet i normal modus med standardmunnstykke, m/s:	45

¹⁰⁰ Verdien for ekvivalent vibrasjonsnivå beregnes basert på en arbeidssyklus med en varighet på 1/7 for tomgang og 6/7 for kjøring. Rapporterte data for ekvivalent vibrasjonsnivå har en typisk statistisk spredning (standardavvik) på 1 m/s^2 .

¹⁰¹ Sammen med motorenheten 525LK/GC2225C.

¹⁰² Utslipp av støy til omgivelsene målt som lydeffekt (L_{WA}) samsvarer med EF-direktiv 2000/14/EF. Rapporterte lydeffektnivåer for maskinen er målt med det originale skjærestyret som gir høyest nivå. Forskjellen mellom garantert og målt lydeffekt er at garantert lydeffekt også omfatter spredning i måleresultatet og variasjoner mellom forskjellige maskiner av samme modell, i henhold til direktivet 2000/14/EF.

¹⁰³ Rapporterte data for lydtrykknivå for maskinen har en typisk statistisk spredning (standardavvik) på 3 dB (A) og er målt med originaltilbehør som gir det høyeste nivået. Målt sammen med 325iLK-motorenheten.

¹⁰⁴ Rapporterte data for vibrasjonsnivå har en typisk statistisk spredning (standardavvik) på 2 m/s^2 . Bruk vibrasjonskalkulatoren for å sammenligne vibrasjonsnivåer, batteri- og bensindrevne produkter. Se <https://www.husqvarna.com/uk/services-solutions/vibration-calculator/>. Målt sammen med 325iLK-motorenheten.

¹⁰⁵ Målt sammen med 325iLK-motorenheten.

Samsvarserklæring

EU-samsvarserklæring

Vi, **Husqvarna AB**, SE-561 82 Huskvarna, Sverige, tlf.:
+46 36 146500, erklærer på eget ansvar at produktet:

Beskrivelse	Blåsertilbehør
Merke	Husqvarna
Type/modell	BA101
ID	Serienumre datert 2022 og senere

fullstendig overholder følgende EU-direktiver og
-forskrifter:

Regulering	Beskrivelse
2006/42/EF	«angående maskiner»
2000/14/EC	«angående utslipp av støy til omgivelsene»
2011/65/EU	«om begrensning av bruk av visse farlige stoffer i elektrisk og elektronisk utstyr»

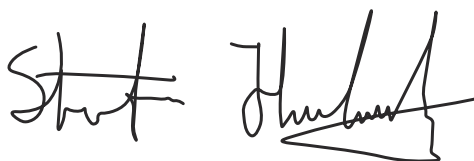
og at følgende standarder eller tekniske spesifikasjoner
er anvendt: EN 15503:2009+A2:2015, EN ISO
12100:2021, EN IEC 63000:2018.

SMP Svensk Maskinprovning AB, Box 4053, SE-904 03
Umeå, Sweden har utført frivillig typeprøving i samsvar
med vedlegg IX i 2006/42/EF.

Sertifikatnummer: SEC/15/2416 – Husqvarna BA101.

For informasjon som gjelder støyutslipp, kan du se
Tekniske data på side 146.

Huskvarna, 2022-05-09



Stefan Holmberg, FoU-direktør, teknologiledelse,
Husqvarna AB

Ansvarlig for teknisk dokumentasjon



EU-samsvarserklæring

Vi, **Husqvarna AB**, SE-561 82 Huskvarna, Sverige, tlf.:
+46 36 146500, erklærer på eget ansvar at produktet:

Beskrivelse	Blåsertilbehør med strømaggregat Husqvarna325iLK
Merke	Husqvarna
Type/modell	BA101
ID	Serienumre datert 2022 og senere

fullstendig overholder følgende EU-direktiver og
-forskrifter:

Regulering	Beskrivelse
2006/42/EF	«angående maskiner»
2000/14/EC	«angående utslipp av støy til omgivelsene»
2011/65/EU	«om begrensning av bruk av visse farlige stoffer i elektrisk og elektronisk utstyr»

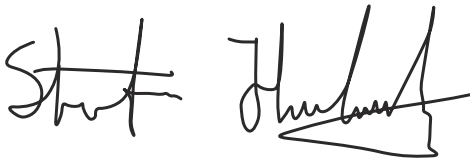
og at følgende standarder eller tekniske spesifikasjoner
er anvendt: IEC 62841-4-6, EN ISO 12100:2021, EN
IEC 63000:2018.

SMP Svensk Maskinprovning AB, Box 4053, SE-904 03
Umeå, Sweden har utført frivillig typeprøving i samsvar
med vedlegg IX i 2006/42/EF. Sertifikatnummer:
SEC/15/2416 – Husqvarna BA101.

SMP Svensk Maskinprovning AB, har også bekreftet
samsvar med vedlegg V i rådsdirektiv 2000/14/EF.
Sertifikatnummer: 01/012/014.

For informasjon som gjelder støyutslipp, kan du se
Tekniske data på side 146.

Huskvarna, 2022-05-09



Stefan Holmberg, FoU-direktør, teknologiledelse,
Huskvarna AB

Ansvarlig for teknisk dokumentasjon



SPIS TREŚCI

Wstęp.....	150	Transport, przechowywanie i utylizacja.....	155
Bezpieczeństwo.....	151	Dane techniczne.....	156
Przeznaczenie.....	154	Deklaracja zgodności.....	158
Przegląd.....	155		

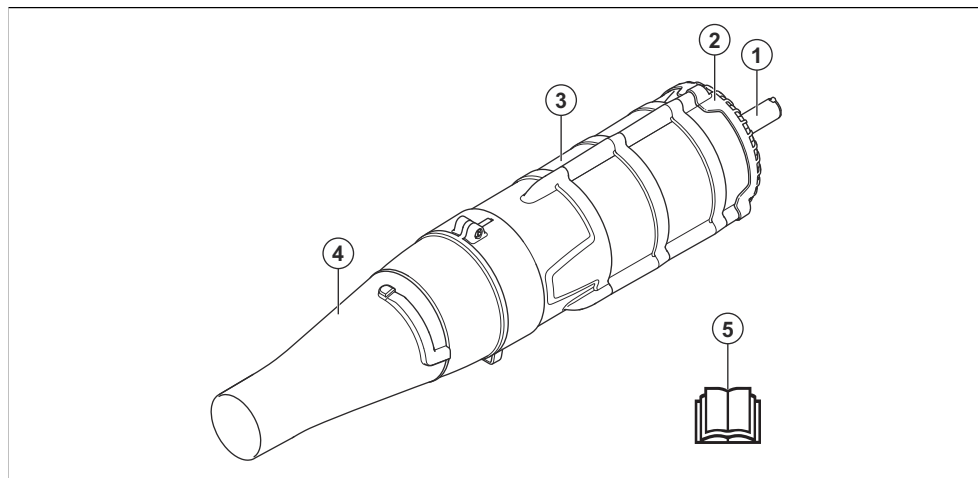
Wstęp

Opis produktu

Nieustannie modernizujemy swoje wyroby, w związku z czym zastrzegamy sobie prawo do wprowadzania zmian dotyczących m.in. wyglądu produktów bez uprzedzenia.

Uwaga: Niniejsza instrukcja obejmuje zarówno zespoły napędowe zasilane benzyną, jak i akumulatorem.

Przegląd osprzętu



1. Wyścięgnik
2. Sitko wlotu powietrza
3. Obudowa wentylatora
4. Dysza powietrza
5. Podręcznik użytkownika

przyczyną poważnych obrażeń lub śmierci obsługującego bądź innych osób.

Symbole na osprzęcie i na zespole napędowym



Nieuważne lub nieprawidłowe posługiwanie się osprzętem może być

Przeznaczenie



OSTRZEŻENIE: Tego osprzętu można używać wyłącznie z odpowiednią jednostką napędową. Patrz rozdział dotyczący akcesoriów w instrukcji obsługi jednostki napędowej.

Osprzęt jest przeznaczony wyłącznie do zdmuchiwania zanieczyszczeń z trawników, ścieżek, drózek asfaltowych itp.



Uważnie przeczytać instrukcję obsługi i przed użyciem osprzętu upewnić się, że wszystkie wskazówki są zrozumiałe.



Niniejszy sprzęt jest zgodny z obowiązującymi dyrektywami wspólnoty europejskiej.



Stosować zatwierdzone środki ochrony słuchu, oczu i dróg oddechowych.



Nosić rękawice ochronne.



Etykieta emisji hałasu do środowiska zgodnie z dyrektywami oraz przepisami UE i Wielkiej Brytanii, a także przepisami Nowej Południowej Walii „Protection of the Environment Operations (Noise Control) Regulation 2017”. Gwarantowany poziom mocy akustycznej urządzenia jest

określony w *Dane techniczne* na stronie 156 oraz na etykiecie.



Użytkownik dmuchawy jest zobowiązany dopilnować, aby żadne osoby postronne ani zwierzęta nie znajdowały się w odległości mniejszej niż 15 m. Wymóg 15-metrowej bezpiecznej odległości ma również zastosowanie w przypadku, gdy kilku operatorów pracuje w tym samym miejscu. Dmuchawa jest w stanie odrzucać z dużą siłą przedmioty, które mogą odbić się z powrotem. Jeżeli nie jest stosowane zalecane wyposażenie ochronne, może to doprowadzić do poważnych urazów oczu.

Uwaga: Pozostałe symbole/naklejki samoprzylepne umieszczone na osprzęcie łącznie dotyczą specjalnych wymogów, związanych z certyfikatami w poszczególnych krajach.

Bezpieczeństwo

Definicje dotyczące bezpieczeństwa

Ostrzeżenia, uwagi i informacje są używane do zwrócenia uwagi na szczególnie ważne sekcje instrukcji obsługi.



OSTRZEŻENIE: Stosuje się, gdy istnieje ryzyko poważnych obrażeń lub śmierci operatora albo osób postronnych w wyniku nieprzestrzegania instrukcji obsługi.



UWAGA: Stosuje się, gdy istnieje ryzyko uszkodzenia produktu i/lub przystawki, innych materiałów lub otoczenia w wyniku nieprzestrzegania instrukcji obsługi.

Uwaga: Stosuje się, aby przekazać więcej informacji, które są przydatne w danej sytuacji.

Ostrzeżenia dotyczące bezpieczeństwa dla dmuchawy, odkurzacza i dmuchawy/odkurzacza do zastosowań ogrodniczych

- **Przed użyciem sprawdzić przewód zasilający oraz przedłużacz pod kątem uszkodzeń lub zużycia.** Nie dotykać przewodu przed odłączeniem od zasilania. Nie używać maszyny, jeżeli przewód jest uszkodzony lub zużyty. Uszkodzony przewód

zasilający może spowodować porażenie prądem, pożar lub poważne obrażenia.

- **Nie używać maszyny przy złych warunkach pogodowych, szczególnie jeśli istnieje ryzyko wystąpienia burzy.** Zmniejsza to ryzyko porażenia piorunem.
- **Należy stosować środki ochrony oczu oraz ochronniki słuchu.** Odpowiedni sprzęt ochronny zmniejsza ryzyko odniesienia obrażeń.
- **Podczas obsługi maszyny należy zawsze nosić obuwie przeciwpoślizgowe i ochronne. Nie obsługiwać maszyny boso lub w sandałach.** Zmniejsza to ryzyko urazów stóp.
- **Nie nosić luźnych ubrań ani przedmiotów, takich jak szale, wisiorki, łańcuchy, krawaty itp., które mogłyby zostać wciągnięte do wlotów powietrza. Związać lub zakryć długie włosy, aby zabezpieczyć je przed wciągnięciem do wlotów powietrza.** Jeśli którekolwiek z wymienionych zostanie wciągnięte do wlotu powietrza, może to zwiększyć ryzyko obrażeń ciała.
- **Podczas obsługi maszyny nie wolno dopuszczać do obecności w pobliżu osób postronnych.** Wyrzucone zanieczyszczenia mogą zwiększyć ryzyko obrażeń ciała.
- **Nigdy nie kierować dyszy dmuchawy w kierunku ludzi ani zwierząt domowych oraz w kierunku okien.** Należy zachować szczególną ostrożność podczas wydmuchiwania zanieczyszczeń w pobliżu innych obiektów, takich jak drzewa, samochody i ściany, które mogłyby odbijać je rykoszetem. Wyrzucone przedmioty mogą uszkodzić mienie i zwiększyć ryzyko obrażeń ciała.

- **Nie wolno też używać dmuchawy do tłących się lub palących przedmiotów, takich jak papierosy, zapalki lub gorące popioły.** Takie źródła zapłonu mogą zwiększać ryzyko pożaru.
- **Nie dotykać wentylatora, gdy pozostaje w ruchu.** Przed wymontowaniem wszelkich elementów w celu umożliwienia dostępu do wentylatora należy wyłączyć maszynę i odczekać, aż wentylator się zatrzyma. Zmniejsza to ryzyko odniesienia obrażeń przez ruchome części.
- **Przed przystąpieniem do usuwania zakleszczonych materiałów lub serwisowania maszyny należy upewnić się, że wyłącznik jest ustawiony w pozycji wyłączenia.** Nieoczekiwane uruchomienie maszyny podczas usuwania zakleszczonego materiału lub serwisowania może spowodować poważne obrażenia ciała.

skonsultować się z lekarzem oraz ich producentem.

- Nigdy nie należy używać urządzenia w stanie zmęczenia, podczas choroby, po spożyciu alkoholu lub innych środków odurzających bądź po zażyciu leków, które wpływają na wzrok, zdolność oceny sytuacji lub koordynację ruchów.
- Nie wolno pracować uszkodzonym urządzeniem.
- Przed uruchomieniem zamontować wszystkie osłony i pokrywy. W przypadku urządzeń napędzanych prądem sprawdzić, czy fajka świecy i przewód zapłonowy nie są uszkodzone.
- Użytkownik dmuchawy jest zobowiązany dopilnować, aby żadne osoby postronne ani zwierzęta nie znajdowały się w odległości mniejszej niż 15 m. Wymóg 15-metrowej bezpiecznej odległości ma również zastosowanie w przypadku, gdy kilku operatorów pracuje w tym samym miejscu.
- Nigdy nie pozwalaj używać produktu dzieciom.
- Produkt mogą obsługiwać wyłącznie osoby, które wcześniej dokładnie zapoznały się z niniejszą instrukcją obsługi.
- Nigdy nie demontuj sitka wlotu powietrza.
- Nigdy nie wolno dotykać świecy zapłonowej lub przewodu zapłonowego, podczas gdy silnik pracuje. Dotknięcie świecy zapłonowej lub korka może skutkować porażeniem prądem.
- Użytkownik powinien zawsze kontaktować się z miejscowym dilerem Husqvarny i upewnić się, czy postępuje zgodnie z zalecanymi wskazaniem.
- Trzymać wszystkie części ciała z dala od powierzchni gorących.
- Jeżeli użytkownik znajdzie się w sytuacji, w której nie jest pewny prawidłowości dalszego sposobu postępowania, powinien zasięgnąć porady eksperta. Zwrócić się do dilerów lub warsztatu obsługi technicznej. Użytkownik nie powinien podejmować się pracy, gdy uważa, że nie ma wystarczających kwalifikacji.
- Trzymać końcówkę rury nadmuchowej możliwie najbliższej ziemi. Należy wykorzystać całą długość rury nadmuchowej tak, aby utrzymywać strumień powietrza blisko podłoża.
- Aby uniknąć niepotrzebnego hałasu, używać maszyny podczas normalnych godzin pracy. Unikać pracy wcześniej rano oraz późno w nocy.
- Uważać na otoczenie. Jeżeli ktoś zbliży się do miejsca, w którym pracuje operator, powinien on puścić przepustnicę / manetkę gazu do chwili, gdy osoba ta znajdzie się w bezpiecznej odległości. Kierować strumień wdmuchu odpadów tak, aby nie był skierowany w stronę ludzi, zwierząt, placów zabaw, otwartych okien i samochodów itp. Siła wdmuchu może spowodować, że kamienie, brud lub patyki zostaną odrzucone lub odbite rykoszetem, co może spowodować obrażenia osób lub zwierząt, a także wybić szyby lub spowodować inne szkody

Ogólne zasady bezpieczeństwa



OSTRZEŻENIE: Przed rozpoczęciem użytkowania osprzętu należy przeczytać następujące zasady bezpieczeństwa.

- Należy dokładnie przeczytać instrukcję obsługi i przed użyciem osprzętu upewnić się, że wszystkie wskazówki zostały zrozumiane.
- Przeczytaj niniejszą instrukcję obsługi wraz z instrukcją obsługi jednostki napędowej. Pozwoli to uzyskać komplet informacji.
- Pod żadnym pozorem nie zmieniać ani nie modyfikować fabrycznej konstrukcji osprzętu bez zezwolenia wydanego przez producenta. Nie należy używać osprzętu, który wydaje się zmodyfikowany przez inne osoby, oraz należy zawsze stosować oryginalne akcesoria. Samowolne wprowadzanie zmian oraz/lub montowanie wyposażenia niezatwierdzonego przez producenta może stać się przyczyną groźnych obrażeń lub śmierci obsługującego urządzenie bądź innych osób.

Instrukcje bezpieczeństwa dotyczące obsługi

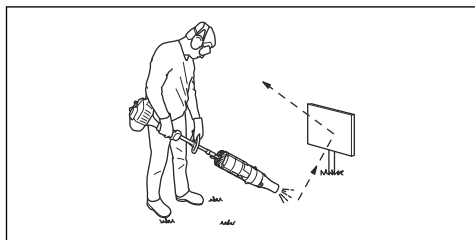


OSTRZEŻENIE: Przed rozpoczęciem użytkowania produktu przeczytać następujące ostrzeżenia.



OSTRZEŻENIE: Niniejszy produkt podczas pracy wytwarza pole elektromagnetyczne. W pewnych okolicznościach pole to może zakłócać pracę aktywnych lub pasywnych implantów medycznych. Przed przystąpieniem do pracy z produktem, w celu ograniczenia ryzyka poważnych lub śmiertelnych obrażeń, osoby posiadające implanty medyczne powinny

- Aby uniknąć poważnych obrażeń spowodowanych działaniem obracającego się wirnika, nigdy nie wkładać rąk ani żadnych przedmiotów do obudowy dmuchawy.
- Chronić powierzchnię urządzenia przed zabrudzeniem olejem lub paliwem.
- Nigdy nie stosować urządzenia do rozpylania środków chemicznych, nawozów lub innych substancji, które mogą zawierać toksyczne składniki.
- Aby uniknąć rozprzestrzeniania się ognia, nie stosować urządzenia w pobliżu miejsc palenia liści lub zgarniętych śmieci, w pobliżu kominków, stanowisk do grillowania, popielniczek itp.
- Nigdy nie zamaczać ani nie wypełniać końcówek wodą ani innym płynem.
- Maszynę należy zawsze trzymać obiema rękami. Trzymać maszynę z boku tułowia.
- W przypadku urządzeń napędzanych benzyną, przed uzupełnieniem paliwa należy zaczekać, aż silnik ostygnie.
- Silny strumień powietrza jest w stanie zdmuchiwać przedmioty z tak dużą siłą, że mogą one odbić się rykoszetem i spowodować poważne obrażenia oczu.



- Wyłącz silnik, zanim przystąpisz do zakładania lub zdejmowania akcesoriów lub innych części.
- Nie używać produktu w złych warunkach atmosferycznych, np. w czasie gęstej mgły, dużych opadów, silnego wiatru, dużego mrozu itp. Praca przy złej pogodzie powoduje zmęczenie i wiąże się z dodatkowymi zagrożeniami, np. śliskim podłożem.
- Należy zapewnić sobie bezpieczne poruszanie i pozycję przy pracy. Przy poruszaniu się po powierzchni roboczej należy uważać na ewentualne przeszkody (korzenie, gałęzie, doły, rowy itp.). Zachować szczególną ostrożność podczas pracy na terenie pochyłym.



- Nigdy nie używać urządzenia, jeśli nie ma możliwości wezwania pomocy w razie wypadku.
- Zabrania się wkładania jakichkolwiek obiektów do wlotu powietrza — może to ograniczyć prawidłowy przepływ powietrza oraz spowodować uszkodzenie urządzenia.
- Produkt nie powinien uderzać w płyty, drzewa lub inne twarde powierzchnie. W przeciwnym razie może dojść do uszkodzenia produktu oraz poważnych obrażeń ciała.
- Mając założone ochronniki słuchu, należy zawsze być szczególnie uważnym na sygnały i zawołania ostrzegawcze. Zdejmij ochronniki słuchu zaraz po wyłączeniu silnika.

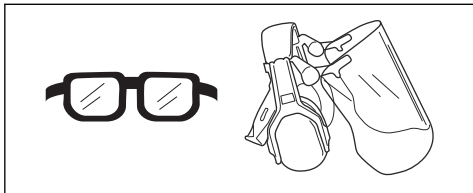
Środki ochrony osobistej



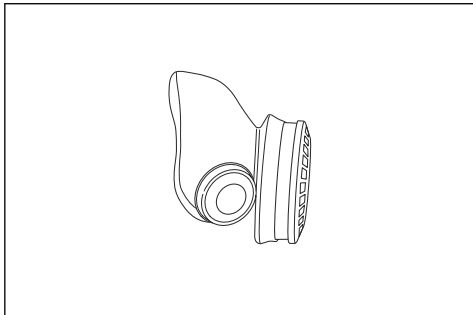
OSTRZEŻENIE: Przed rozpoczęciem użytkowania produktu przeczytać następujące ostrzeżenia.

- Podczas używania produktu zawsze nosić na sobie zatwierdzone środki ochrony osobistej. Środki ochrony osobistej nie eliminują ryzyka odniesienia obrażeń, ograniczają natomiast ich rozmiar w razie zaistnienia wypadku. Skorzystać z pomocy dilerów przy wyborze odpowiedniego sprzętu.
- Stosować ochronnik słuchu o wystarczających właściwościach tłumiących. Długotrwałe przebywanie w hałasie może doprowadzić do trwałej utraty słuchu.
- Stosować atestowane środki ochrony oczu. Używając maski ochronnej twarzy, nosić także zatwierdzone okulary ochronne. Za zatwierdzone okulary ochronne uważane są takie, które są zgodne

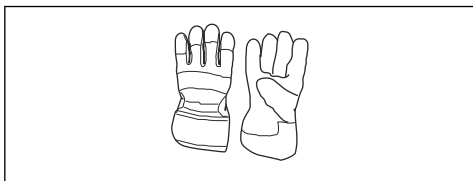
z normami ANSI Z87.1 dla USA lub EN 166 dla krajów UE.



- Jeśli istnieje ryzyko powstawania pyłu, należy stosować środki ochrony dróg oddechowych.



- W razie potrzeby, na przykład podczas mocowania, badania czy czyszczenia narzędzi tnących, stosuj rękawice ochronne.



- Nosić mocne, przeciwpoślizgowe, wysokie obuwie ochronne lub robocze.



- Nosić odzież wykonaną z mocnego materiału. Nosić odzież z długimi nogawkami i długimi rękawami, wykonaną z mocnego materiału. Luźne części odzieży mogą zahaczyć o krzewy lub gałęzie. Nie nosić biżuterii, krótkich spodni ani sandałów i nie pracuj z odsłoniętymi stopami. Związywać włosy w sposób bezpieczny powyżej poziomu barków.
- Zawsze mieć pod ręką apteczkę pierwszej pomocy.



Instrukcje bezpieczeństwa dotyczące konserwacji



OSTRZEŻENIE: Przed rozpoczęciem użytkowania urządzenia przeczytać następujące ostrzeżenia.

Przed użyciem maszyny dokonaj jej ogólnego przeglądu. Patrz plan konserwacji.

Stosuj się do instrukcji dotyczących konserwacji, kontroli i obsługi technicznej podanych w niniejszej instrukcji obsługi. Niektóre czynności konserwacyjne i obsługowe muszą być wykonane przez przeszkolonego i wykwalifikowanego specjalistę. Patrz wskazówki w części zatytułowanej „Konserwacja”.

Zawsze przed rozpoczęciem pracy sprawdzaj, czy sitko wlotu powietrza nie jest blokowane przez ciała obce.

Aby zapobiec uszkodzeniu na skutek upadku, montaż i demontaż powinien być wykonywany na niewielkiej wysokości nad podłożem.

Przeznaczenie

Korzystanie z osprzętu

Uwaga: Okazuj należyny wzgląd ludziom zamieszkującym wokół i nie używaj maszyny o nieodpowiednich porach, np. późnym wieczorem lub wczesnym ranem. Poziom hałasu można zmniejszyć

przez ograniczenie ilości jednocześnie pracujących urządzeń. Przeczytaj poniższe, proste rady i stosuj się do nich, aby w możliwie najmniejszym stopniu przyczynić się do zakłócania spokoju w okolicy.

1. Używaj grabi lub miotły w celu szczyśczenia śmieci, które przylgnęły do podłoża.

2. Czyścić narożniki, zaczynając od rogów i przechodząc dalej, na zewnątrz. Pomoże to ochronić twarz przed ewentualnym zdmuchnięciem nagromadzonego lekkiego gruzu.
3. Pracuj dmuchawą na możliwie najmniejszych obrotach silnika. Stosowanie najwyższych obrotów rzadko jest konieczne. Wiele prac można wykonać przy średnich obrotach silnika. Im mniejsze obroty silnika, tym mniejszy hałas i mniej pyłu. Łatwiej jest także kontrolować zbieranie lub zdmuchiwanie śmieci.
4. W wypadku miejsc zakurzonych należy je lekko zwilżyć lub korzystać z urządzeń spryskujących.
5. Zmniejsz zużycie wody przez użycie dmuchaw zamiast węży z wodą dla różnych miejsc wokół trawnika oraz ogrodu takich jak ogrodzenia, osłony, grille, ganki itp.
6. Zachowaj ostrożność przy pracy w pobliżu roślin. Siła strumienia powietrza może uszkodzić delikatne rośliny.
7. Prędkość strumienia powietrza jest regulowana za pomocą przepustnicy lub manetki gazu. Dostosuj prędkość do potrzeb i charakteru pracy.
8. Weź pod uwagę aktualny kierunek wiatru. Aby praca przebiegała sprawnie, pracuj zgodnie z wiatrem.
9. Stosowanie dmuchawy do przemieszczania dużych stert liści lub śmieci jest mało efektywne i powoduje zbyt duży hałas.
10. Utrzymuj dobrą równowagę i mocne oparcie dla stóp.
11. Podczas pracy produktu rura nie powinna stykać się z podłożem.
12. Posprzątaj po sobie po zakończeniu pracy. Upewnij się, czy nie zdmuchnąłeś śmieci na cudzy teren. Wyrzuć odpady do pojemników na śmieci.
13. Po zakończeniu pracy należy przechowywać maszynę poziomo.

Przegląd

Wstęp

<:fc 2>Poniżej podano kilka ogólnych zasad konserwacji.</fc> Jeśli potrzebujesz dodatkowych informacji, skontaktuj się z warsztatem obsługi technicznej.

Codzienna konserwacja osprzętu



OSTRZEŻENIE: Przed przystąpieniem do czyszczenia lub konserwacji osprzętu należy zawsze wyłączyć silnik. W przypadku urządzeń napędzanych benzyną zdjąć przewody ze świecy zapłonowej. W przypadku urządzeń z napędem akumulatorowym wyjąć akumulator.



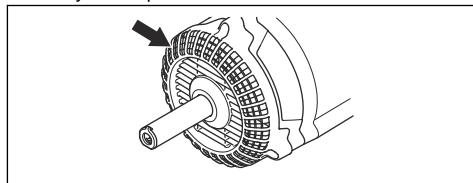
OSTRZEŻENIE: Trzymać wszystkie części ciała z dala od powierzchni gorących.

1. Oczyszczyć zewnętrzną powierzchnię dmuchawy.

2. Upewnić się, że obudowa nie jest popękana.
3. Upewnić się, że produkt działa prawidłowo.
4. Upewnić się, że wszystkie nakrętki i śruby są dokręcone.
5. Wyczyścić etykiety za pomocą miękkiej ściereczki i delikatnego detergentu.

Sprawdzanie sitka wlotu powietrza.

1. Sprawdź ze wszystkich stron, czy wloty powietrza nie są zatkane, np. przez liście lub śmieci. Zatkanie wlotu powietrza zmniejsza wydajność produktu oraz powoduje podwyższenie temperatury silnika, co może doprowadzić do jego awarii. Wyłącz silnik i oczyść wlot powietrza.



Transport, przechowywanie i utylizacja

Transport i przechowywanie

Po każdym użyciu należy wykonać następujące czynności:

- Przed odłożeniem do magazynu lub transportem odczekać, aż osprzęt ostygnie.
- Urządzenie należy przechowywać w suchym i chłodnym pomieszczeniu, z dala od dzieci.

Przechowywanie sezonowe

Pod koniec sezonu lub w przypadku nieużywania przez okres 30 dni lub dłużej końcówkę należy przygotować do przechowywania. Jeśli końcówka do dmuchawy ma być przechowywana przez dłuższy okres:

- Oczyszczyć urządzenie.

- Sprawdź urządzenie pod kątem wszelkich poluzowanych lub uszkodzonych części. Dokręć wszelkie poluzowane śruby.
- Wymień wszystkie uszkodzone, zużyte lub zniszczone części.
- W nowym sezonie naley nowego paliwa, pamiętając o przygotowaniu mieszanki paliwa o odpowiednich proporcjach benzyny do oleju.

Utylizacja

- Przestrzegać lokalnych wymogów dotyczących recyklingu oraz wszystkich innych obowiązujących przepisów.
- Gdy produkt nie jest już użytkowany, należy go odesłać Husqvarna do dealera lub zutylizować w centrum utylizacji.

Dane techniczne

Dane techniczne dot. urządzeń napędzanych benzyną

BA101	
Waga	
Masa, kg	1,9
Poziom hałas	
Zmierzony poziom mocy akustycznej, dB(A)	111
Poziom głośności, gwarantowana moc akustyczna L_{WA} dB(A)	114
Poziomy głośności ¹⁰⁶	
Równoważny poziom ciśnienia akustycznego przy uchu operatora, mierzony zgodnie z normą EN15503 dB(A)	99
Poziomy drgań ¹⁰⁷	
Równoważne poziomy drgań uchwytów ($a_{hv,eq}$), zmierzone zgodnie z normami EN 15503, m/s^2	
Uchwyt przedni/tylny:	5,6/8,3
Wydajność pracy wentylatora ¹⁰⁸	
Maks. prędkość powietrza dla standardowej końcówki wylotowej, m/s:	46
Przepływ powietrza dla standardowej końcówki wylotowej, m^3/min	14

Dane techniczne dot. urządzeń akumulatorowych

325iLK + Blower attachment BA101	
Waga	
Masa, kg	2,3+1,9

¹⁰⁶ Wartość równoważnego poziomu ciśnienia dźwięku jest obliczana dla cyklu roboczego obejmującego 1/7 biegu jałowego i 6/7 biegu roboczego. Odnotowane dane dotyczące równoważnego ciśnienia akustycznego urządzenia wykazują typowe rozproszenie statystyczne (odchylenie standardowe) w wysokości 1 dB(A).

¹⁰⁷ Wartość równoważnego poziomu drgań jest obliczana dla cyklu roboczego obejmującego 1/7 biegu jałowego i 6/7 biegu roboczego. Odnotowane dane dotyczące równoważnego poziomu wibracji wykazują typowe rozproszenie statystyczne (odchylenie standardowe) w wysokości 1 m/s^2 .

¹⁰⁸ Łącznie z silnikiem 525LK/GC2225C.

325iLK + Blower attachment BA101	
Poziom hałasu ¹⁰⁹	
Zmierzony poziom mocy akustycznej, dB(A)	103
Poziom głośności, gwarantowana moc akustyczna L_{WA} dB(A)	106
Poziomy głośności ¹¹⁰	
Poziom ciśnienia akustycznego przy uchu operatora zmierzony zgodnie z normą ISO 26868, w dB(A)	
W zestawie zatwierdzone akcesoria (oryginalne) dB (A)	93
Poziomy drgań ¹¹¹	
Poziomy drgań uchwytów mierzone zgodnie z normą EN 62841-1, m/s ²	
W zestawie zatwierdzone akcesorium (oryginalne), lewe/prawe, m/s	1,6/1,1
Wydajność pracy wentylatora ¹¹²	
Przepływ powietrza w trybie normalnym i ze standardową dyszą, m ³ /min	14
Maksymalna prędkość przepływu powietrza w normalnym trybie dla standardowej dyszy, m/s:	45

¹⁰⁹ Emisję hałasu do otoczenia zmierzono jako moc akustyczną (L_{WA}), zgodnie z dyrektywą Rady 2000/14/WE. Odnotowany poziom ciśnienia akustycznego produktu został zmierzony z oryginalnym osprzętem tnącym, który generuje najwyższy poziom hałasu. Różnica pomiędzy gwarantowanym a zmierzonym poziomem ciśnienia akustycznego wynika z tego, że poziom gwarantowany zawiera także rozproszenie w wynikach pomiaru oraz różnice pomiędzy różnymi typami maszyn tego samego modelu zgodnie z Dyrektywą 2000/14/WE.

¹¹⁰ Odnotowane dane dotyczące poziomu ciśnienia akustycznego urządzenia wykazują typowe rozproszenie statystyczne (odchylenie standardowe) w wysokości 3 dB(A) i zostały zmierzone z oryginalnym osprzętem, który daje najwyższy poziom. Zmierzone łącznie z silnikiem 325iLK.

¹¹¹ Odnotowane dane dla poziomu wibracji mają typowe rozproszenie statystyczne (odchylenie standardowe) w wysokości 2 m/s². Do porównywania poziomu drgań, akumulatorów i produktów spalania służy kalkulator drgań. Patrz <https://www.husqvarna.com/uk/services-solutions/vibration-calculator/>. Zmierzone łącznie z silnikiem 325iLK.

¹¹² Zmierzone łącznie z silnikiem 325iLK.

Deklaracja zgodności

Deklaracja zgodności UE

Firma **Husqvarna AB**, SE-561 82 Huskvarna,
Szwecja, tel.: +46-36-146500, deklarujemy z pełną
odpowiedzialnością, że produkt:

Opis	Osprzęt dmuchawy
Marka	Husqvarna
Typ/model	BA101
Identyfikacja	Numery seryjne z roku 2022 i nowsze

spełnia wszystkie wymogi określone w odpowiednich
dyrektywach i przepisach UE:

Przepis	Opis
2006/42/WE	„w sprawie maszyn”
2000/14/WE	„dotycząca emisji hałasu do środowiska”
2011/65/UE	„dotycząca ograniczenia użycia niektórych substancji niebezpiecznych w sprzęcie elektrycznym i elektronicznym”

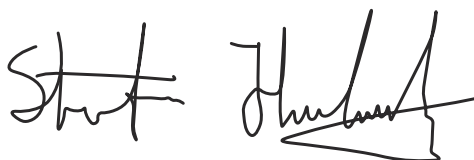
oraz został zaprojektowany zgodnie z następującymi
normami i specyfikacjami technicznymi: EN
15503:2009+A2:2015, EN ISO 12100:2021, EN IEC
63000:2018.

SMP Svensk Maskinprovning AB, Box 4053, SE-904
03 Umeå, Szwecja przeprowadziło dobrowolne badanie
typu zgodnie z załącznikiem IX do dyrektywy
2006/42/WE.

Numer certyfikatu: SEC/15/2416 – Husqvarna BA101.

Informacje dotyczące emisji hałasu podano w rozdziale
Dane techniczne na stronie 156.

Huskvarna, 2022-05-09



Stefan Holmberg, Dyrektor ds. badań i rozwoju,
Zarządzanie technologią, Husqvarna AB

Osoba odpowiedzialna za dokumentację techniczną



Deklaracja zgodności UE

Firma **Husqvarna AB**, SE-561 82 Huskvarna,
Szwecja, tel.: +46-36-146500, deklarujemy z pełną
odpowiedzialnością, że produkt:

Opis	Dmuchawa - przystawka z zespołem napędowym Husqvarna 325iLK
Marka	Husqvarna
Typ/model	BA101
Identyfikacja	Numery seryjne z roku 2022 i nowsze

spełnia wszystkie wymogi określone w odpowiednich
dyrektywach i przepisach UE:

Przepis	Opis
2006/42/WE	„w sprawie maszyn”
2000/14/WE	„dotycząca emisji hałasu do środowiska”
2011/65/UE	„dotycząca ograniczenia użycia niektórych substancji niebezpiecznych w sprzęcie elektrycznym i elektronicznym”

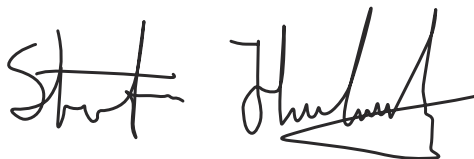
oraz został zaprojektowany zgodnie z następującymi
normami i specyfikacjami technicznymi: IEC 62841-4-6,
EN ISO 12100:2021, EN IEC 63000:2018.

SMP Svensk Maskinprovning AB, Box 4053, SE-904
03 Umeå, Sweden przeprowadziło dobrowolne badanie
typu zgodnie z załącznikiem IX do dyrektywy
2006/42/WE. Numer certyfikatu: SEC/15/2416 –
Husqvarna BA101.

SMP Svensk Maskinprovning AB zweryfikowało
także zgodność z załącznikiem V dyrektywy Rady
2000/14/WE. Numer certyfikatu: 01/012/014.

Informacje dotyczące emisji hałasu podano w rozdziale
Dane techniczne na stronie 156.

Huskvarna, 2022-05-09



Stefan Holmberg, Dyrektor ds. badań i rozwoju,
Zarządzanie technologią, Husqvarna AB

Osoba odpowiedzialna za dokumentację techniczną



ÍNDICE

Introdução.....	160	Transporte, armazenamento e eliminação.....	165
Segurança.....	161	Especificações técnicas.....	166
Funcionamento.....	164	Declaração de conformidade.....	168
Manutenção.....	165		

Introdução

Descrição do produto

Seguimos uma política de desenvolvimento contínuo dos nossos produtos e, por conseguinte, reservamo-nos o direito de modificar o design e o aspeto dos mesmos, sem aviso prévio.

Nota: Este manual abrange ambas as unidades de potência, operadas a gasolina e a bateria.

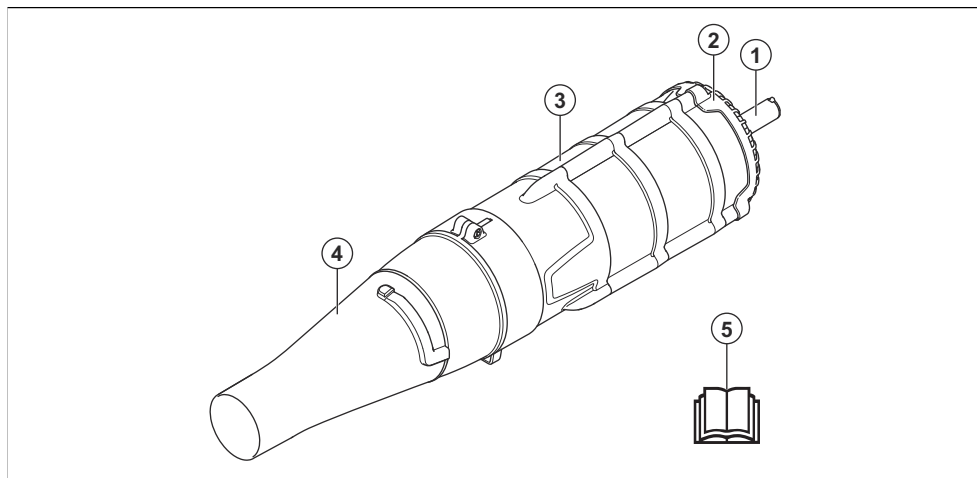
Finalidade



ATENÇÃO: Este acessório apenas pode ser utilizado juntamente com a unidade de alimentação prevista. Consulte o capítulo do acessório no manual do utilizador sobre a unidade de alimentação.

O acessório foi concebido exclusivamente para a limpeza por sopro de relvados, caminhos, estradas de asfalto e similares.

Vista geral do acessório



1. Eixo
2. Grelha de entrada de ar
3. Alojamento da ventoinha
4. Bocal de ar
5. Manual do utilizador

graves ou fatais no utilizador ou noutras pessoas.

Símbolos no acessório e na unidade de alimentação



Leia o manual do utilizador com atenção e certifique-se de que compreende as instruções antes de utilizar o acessório.



A utilização indevida ou incorreta deste acessório pode provocar ferimentos



Este acessório está em conformidade com as diretivas aplicáveis da CE.



Utilize proteção acústica, ocular e respiratória aprovada.



Utilize luvas de proteção aprovadas.



Emissão de ruído para a etiqueta ambiental de acordo com as diretivas e regulamentos da União Europeia e do Reino Unido e o regulamento "Protection of the Environment Operations (Noise Control) Regulation 2017" (regulamento de proteção de operações no meio ambiente [controle do ruído] de 2017) da Nova Gales do Sul. O nível de

potência sonora garantido do produto está especificado em *Especificações técnicas na página 166* e na etiqueta.



O utilizador do soprador tem de se certificar de que não se encontra qualquer pessoa ou animal num raio de 15 metros. Quando estão vários utilizadores a trabalhar na mesma área, é necessário que exista uma distância de segurança de, pelo menos, 15 metros. O soprador pode arremessar violentamente objetos que podem fazer ricochete. Isso pode levar a graves lesões nos olhos no caso do equipamento de segurança recomendado não ser usado.

Nota: Os restantes símbolos/autocolantes existentes no acessório dizem respeito a exigências específicas para homologação em alguns países.

Segurança

Definições de segurança

Os avisos, as precauções e as notas são utilizados para indicar partes especialmente importantes do manual do utilizador.



ATENÇÃO: Utilizado no caso de existir risco de ferimento ou morte para o utilizador ou transeuntes, se não forem respeitadas as instruções do manual.



CUIDADO: Utilizado se existir risco de danos para o produto e/ou acessório, para outros materiais ou para a área adjacente, se não forem respeitadas as instruções do manual.

Nota: Utilizado para disponibilizar informações adicionais necessárias numa determinada situação.

Avisos de segurança do soprador de jardim, aspirador de jardim e soprador/ aspirador de jardim

- **Antes da utilização, verifique a existência de sinais de danos ou desgaste no cabo de extensão e de alimentação.** Não toque no cabo elétrico antes de desligar a alimentação. Não utilize a máquina se o cabo elétrico estiver danificado ou gasto. Um cabo de alimentação danificado pode resultar em choque elétrico, incêndio e/ou ferimentos graves.
- **Não utilize a máquina em más condições climatéricas, principalmente quando existir risco de ocorrência de relâmpagos.** Isto diminui o risco de ser atingido por relâmpagos.
- **Use proteção ocular e acústica.** Utilizar equipamento de proteção adequado reduz o risco de ferimentos pessoais.
- **Durante o funcionamento da máquina, use sempre calçado antiderrapante e de proteção. Não opere a máquina se estiver descalço ou com sandálias abertas.** Isto reduz o risco de ferimentos nos pés.
- **Não use roupas largas ou artigos como cachecóis, fios, correntes, gravatas, etc., que possam ser puxados para as entradas de ar. Amarre ou cubra o cabelo comprido para se certificar de que não é puxado para as entradas de ar.** Se algum destes itens for puxado para as entradas de ar, pode aumentar o risco de ferimentos pessoais.
- **Mantenha as pessoas afastadas durante o funcionamento da máquina.** Os detritos projetados podem aumentar o risco de ferimentos pessoais.
- **Nunca aponte o bocal do soprador na direção de pessoas ou animais de estimação ou na direção de janelas. Tenha especial cuidado ao soprar detritos perto de objetos sólidos, como árvores, automóveis e paredes, que podem provocar ricochete dos detritos.** Os objetos projetados podem danificar a propriedade e aumentar o risco de ferimentos pessoais.
- **Não utilize a máquina para soprar elementos a arder ou fumegar, como cigarros, fósforos ou cinzas quentes.** Estas fontes de ignição podem aumentar o risco de incêndio.

- **Não toque na ventoinha enquanto ainda estiver em movimento. Desligue a máquina e aguarde até que a ventoinha pare antes de remover qualquer peça que possa dar acesso à ventoinha.** Isto reduz o risco de ferimentos provocados por peças móveis.
- **Quando remover material encravado ou efetuar a manutenção da máquina, certifique-se de que o interruptor de alimentação está desligado.** A ativação inesperada da máquina enquanto é efetuada a remoção de material encravado ou a manutenção pode resultar em ferimentos pessoais graves.
- Nunca utilize um produto defeituoso.
- Antes de ligar a máquina é necessário instalar todas as coberturas e proteções. Se tiver um produto alimentado a gasolina, certifique-se de que a cobertura da vela de ignição e o cabo da ignição não apresentam danos para evitar o risco de choque elétrico.
- O utilizador do soprador tem de se certificar de que não se encontra qualquer pessoa ou animal num raio de 15 metros. Quando estão vários utilizadores a trabalhar na mesma área, é necessário que exista uma distância de segurança de, pelo menos, 15 metros.

Instruções de segurança gerais



ATENÇÃO: Leia as instruções de segurança que se seguem antes de utilizar o acessório.

- Leia atentamente as instruções do manual do utilizador e certifique-se de que compreende o seu conteúdo antes de utilizar o acessório.
- Este manual do utilizador deve ser lido juntamente com o manual do utilizador da unidade de alimentação, de modo a obter todas as informações do utilizador.
- Não é permitido modificar, em circunstância alguma, a configuração original do acessório sem a autorização expressa do fabricante. Não utilize um acessório que pareça ter sido modificado por outros e utilize sempre acessórios originais. A realização de modificações e/ou a utilização de acessórios não autorizados podem provocar ferimentos pessoais graves ou perigo de vida para o utilizador ou terceiros.

Instruções de segurança para funcionamento



ATENÇÃO: Leia as instruções de aviso que se seguem antes de utilizar o produto.



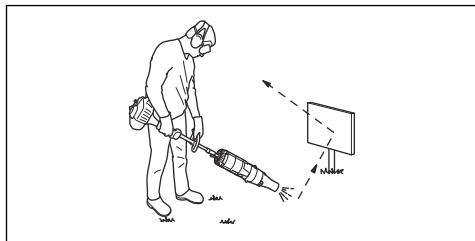
ATENÇÃO: Este produto produz um campo eletromagnético durante o funcionamento. Em determinadas circunstâncias, este campo pode interferir com o funcionamento de implantes médicos ativos ou passivos. Para diminuir o risco de condições que podem causar ferimentos ou morte, recomendamos que os portadores de implantes médicos consultem o seu médico e o fabricante do implante antes de utilizar este produto.

- Nunca utilize o produto se estiver cansado, se estiver doente, se tiver ingerido bebidas alcoólicas ou outras drogas, ou se estiver a tomar medicação que possa afetar a sua visão, o seu discernimento ou a sua coordenação.
- Nunca permita que crianças utilizem o produto.
- Nunca permita que outra pessoa utilize o produto sem garantir que a mesma leu e compreendeu o conteúdo do manual do utilizador.
- Nunca remova a grelha de admissão de ar.
- Nunca toque na vela ou no cabo de ignição enquanto o motor estiver em funcionamento. Tocar na vela de ignição ou na ficha poderá provocar um choque elétrico.
- Contacte sempre as autoridades locais e certifique-se de que está a seguir as diretivas aplicáveis.
- Mantenha todas as partes do seu corpo afastadas de superfícies quentes.
- Se tiver alguma dúvida relativa ao procedimento a seguir, entre em contacto com um técnico especialista. Dirija-se ao seu distribuidor ou à sua oficina autorizada. Não utilize funções da máquina para as quais não está preparado.
- Mantenha o bocal do soprador o mais perto possível do solo. Utilize todo o comprimento do tubo de sopro para manter o fluxo de ar próximo do solo.
- Utilize a máquina durante as horas úteis normais, de modo a evitar perturbações desnecessárias. Evite trabalhar cedo de manhã ou a horas tardias da noite.
- Preste atenção ao que o rodeia. Se alguém se aproximar da sua área de trabalho, liberte o acelerador/interruptor de alimentação até a pessoa se encontrar a uma distância segura. Afaste o soprador de pessoas, animais, áreas recreativas, janelas abertas e carros, etc. A força do ar pode fazer com que pedras, sujidade ou ramos sejam projetados ou façam ricochete, o que pode provocar ferimentos em pessoas ou animais, partir vidros ou causar outros danos.
- Nunca coloque as mãos ou outros objetos no alojamento do soprador para evitar ferimentos graves causados pelo propulsor em rotação.
- Mantenha a superfície exterior isenta de óleo e combustível.
- Nunca utilize para espalhar produtos químicos, fertilizantes ou outras substâncias que possam conter materiais tóxicos.
- Para evitar a propagação de chamas, não utilize próximo de queimadas, lareiras, churrasqueiras, cinzeiros, etc.

- Nunca mergulhe ou pulverize o acessório com água ou qualquer outro líquido.
- Utilize sempre ambas as mãos para segurar a máquina. Mantenha a máquina ao lado do corpo.
- Se tiver um produto alimentado a gasolina, deixe o motor arrefecer antes de reabastecer.
- As fortes correntes de ar podem deslocar objetos a uma grande velocidade, o que pode fazer com que estes façam ricochete, causando graves ferimentos nos olhos.



- Não utilize o produto a menos que seja possível pedir ajuda em caso de acidente.
- Nunca coloque quaisquer objetos na abertura da admissão de ar, uma vez que tal poderá limitar o fluxo de ar adequado e provocar danos na unidade.
- Certifique-se de que o produto não atinge vedações, árvores ou outro material rígido. Tal pode provocar danos na máquina e resultar em ferimentos graves.
- Quando estiver a utilizar protetores acústicos, esteja atento a sinais de aviso ou gritos. Retire sempre os protetores acústicos assim que o motor parar.



- Desligue o motor antes de montar ou desmontar acessórios ou outras peças.
- Não utilize o produto em condições meteorológicas desfavoráveis, tais como nevoeiro denso, chuva intensa, vento forte, frio intenso, etc. O funcionamento em condições meteorológicas desfavoráveis é cansativo e pode originar condições de perigo como, por exemplo, superfícies escorregadias.
- Certifique-se de que pode andar e estar de pé com segurança. Tenha cuidado com eventuais obstáculos (raízes, pedras, ramos, valas, etc.) em caso de deslocamento inesperado. Tenha muito cuidado ao trabalhar em terreno inclinado.

Equipamento de proteção pessoal

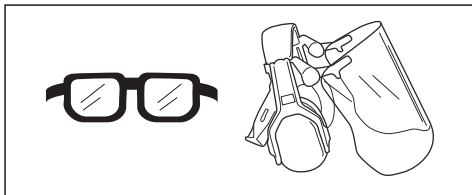


ATENÇÃO: Leia as instruções de aviso que se seguem antes de utilizar o produto.

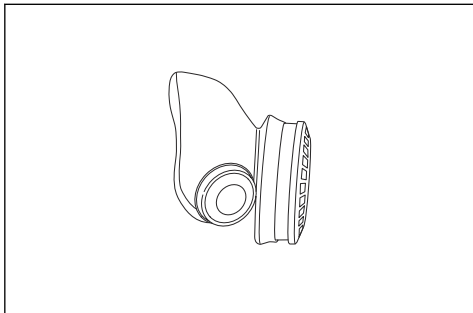
- Utilize sempre equipamento de proteção pessoal aprovado ao utilizar o produto. O equipamento de proteção pessoal não previne totalmente os ferimentos mas diminui a respetiva gravidade em caso de acidente. Obtenha ajuda junto do seu distribuidor para selecionar o equipamento certo.
- Utilize protetores acústicos aprovados com insonorização suficiente. A exposição prolongada a ruídos pode provocar danos auditivos permanentes.
- Utilize proteção ocular aprovada. Mesmo com viseira, é necessário utilizar óculos de proteção aprovados. Consideram-se óculos de proteção aprovados os que estejam conformes com a norma ANSI Z87.1 nos EUA ou EN 166 nos países da UE.



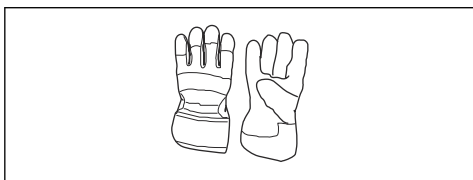
- Nunca pouse o produto com o motor em funcionamento sem que o tenha bem vigiado.
- Se tiver um produto alimentado a gasolina, os gases de escape do motor contêm monóxido de carbono que pode causar envenenamento por monóxido de carbono. Por esse motivo, nunca deve ligar ou utilizar o produto em espaços interiores ou pouco ventilados.
- Não é permitido utilizar o soprador em escadas ou andaimes, nem em locais altos (como telhados). Tal poderia resultar em ferimentos graves.



- Utilize proteção respiratória quando existir risco de poeiras.



- Use luvas sempre que necessário, por exemplo, ao fixar, examinar ou limpar o equipamento.



- Utilize botas ou sapatos antiderrapantes e resistentes.



- Utilize vestuário fabricado com um tecido resistente. Utilize sempre calças e mangas compridas grossas. Não utilize vestuário largo que possa ficar preso em galhos e ramos. Não utilize joias, calções, nem ande de sandálias ou descalço. Coloque o seu cabelo acima dos ombros para maior segurança.
- Mantenha equipamentos de primeiros socorros sempre à mão.



Instruções de segurança para manutenção



ATENÇÃO: Leia as instruções de aviso que se seguem antes de utilizar o produto.

Efetue uma inspeção geral do produto antes de o utilizar. Observe o esquema de manutenção.

Siga as instruções de manutenção e assistência técnica indicadas neste manual. Alguns serviços de manutenção e de assistência técnica têm de ser executados por especialistas formados e qualificados. Consulte as instruções na secção Manutenção.

Verifique sempre se existem objetos que possam bloquear a grelha de admissão de ar antes de iniciar os trabalhos.

Para evitar danos devido à queda do produto, a montagem e desmontagem devem ser realizadas junto à superfície do solo.

Funcionamento

Utilizar o acessório

Nota: Respeite as pessoas ao seu redor evitando usar a máquina a horas impróprias, por exemplo a horas avançadas da noite ou cedo de manhã. Reduza os níveis de ruído limitando o número de unidades de equipamento utilizadas em simultâneo. Leia e siga os conselhos simples que se seguem, de modo a incomodar o menos possível as pessoas ao seu redor.

1. Use um ancinho ou uma vassoura para despegar o lixo pegado ao solo.
2. Limpe os cantos, começando aí e depois deslocando-se para fora. Isto ajuda a evitar a acumulação de detritos que podem voar para o rosto.
3. Utilize o soprador com a velocidade/aceleração mínima possível. Raramente é necessário utilizar a velocidade/aceleração máxima. Muitos dos procedimentos de trabalho podem ser efetuados a metade da velocidade/aceleração. Uma velocidade/aceleração mais baixa diminui o ruído e a poeira; torna-se também mais fácil controlar o lixo recolhido/movido.
4. Minimize o tempo de sopro humedecendo ligeiramente as áreas com muito pó ou utilizando equipamento de pulverização.
5. Reduza o consumo de água utilizando sopradores em vez de mangueiras de água nas diferentes aplicações relacionadas com o relvado e o jardim, tais como treliças, biombos, churrasqueiras, alpendres, etc.
6. Tenha cuidado quando trabalhar perto de plantas. A força do ar pode danificar as plantas mais delicadas.

7. A velocidade do jato de ar é regulada através do interruptor de alimentação/aceleração. Selecione a velocidade mais adequada às respetivas tarefas.
8. Esteja consciente da direcção do vento. Trabalhe a favor do vento para facilitar o seu trabalho.
9. O uso do soprador para deslocar grandes montes de lixo é moroso e provoca ruído desnecessário.
10. Mantenha bom equilíbrio e apoio para os pés.
11. Mantenha uma distância entre o tubo e o solo de forma a evitar o contacto com o solo quando utiliza o produto.
12. Deixe tudo limpo e arrumado. Certifique-se de não ter soprado lixo para propriedade alheia. Proceda à eliminação dos resíduos no recipiente para lixo.
13. Quando concluir o trabalho, armazene o produto na horizontal.

Manutenção

Introdução

Seguem abaixo algumas instruções gerais de manutenção. Se necessitar de maiores informações, consulte uma oficina autorizada.

Efetuar a manutenção diária do acessório



ATENÇÃO: Desligue sempre o motor antes de limpar ou efetuar a manutenção do acessório. Se tiver um produto alimentado a gasolina, desligue o cabo de ignição da vela de ignição. Se tiver um produto alimentado a bateria, retire a bateria.



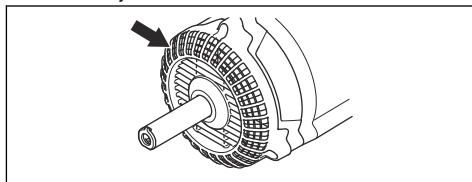
ATENÇÃO: Mantenha todas as partes do seu corpo afastadas de superfícies quentes.

1. Limpe a superfície exterior do soprador.
2. Certifique-se de que nenhuma caixa apresenta fissuras.

3. Certifique-se de que o produto está em perfeitas condições de funcionamento.
4. Certifique-se de que todas as porcas e parafusos estão bem apertados.
5. Limpe as etiquetas com um pano húmido e um detergente suave.

Verificar o filtro de admissão de ar

1. Certifique-se de que a entrada de ar não é obstruída de todos os lados, incluindo a parte de baixo, por exemplo por folhas ou lixo. Uma admissão de ar obstruída reduz a capacidade de sopro do produto e aumenta a temperatura de funcionamento do motor, podendo causar avarias no mesmo. Pare o motor e retire o objeto.



Transporte, armazenamento e eliminação

Transporte e armazenagem

Execute os seguintes passos após cada utilização:

- Deixe arrefecer o acessório antes de o armazenar ou transportar.
- Guarde num local elevado, fresco, seco, interior e fora do alcance das crianças.

Armazenagem sazonal

Prepare o acessório para ser armazenado no final de cada estação ou se não for utilizado durante um período igual ou superior a 30 dias. Se pretender armazenar o acessório soprador durante um período de tempo prolongado:

- Limpe a unidade.
- Verifique se existem peças soltas ou danificadas no acessório. Aperte todos os parafusos soltos.
- Substitua as peças danificadas, gastas ou partidas.
- No início da estação seguinte, utilize apenas combustível novo com a mistura adequada de gasolina e óleo.

Eliminação

- Respeite os requisitos de reciclagem locais e os regulamentos aplicáveis.
- Quando o produto deixar de ser utilizado, envie-o para um revendedor Husqvarna ou elimine-o numa localização de reciclagem.

Especificações técnicas

Especificações técnicas para produtos alimentados a gasolina

BA101	
Peso	
Peso, kg	1,9
Emissões de ruído	
Nível de potência sonora, medido dB (A)	111
Nível de potência sonora, garantido L_{WA} dB (A)	114
Níveis sonoros ¹¹³	
Nível de pressão sonora equivalente, ao nível do ouvido do utilizador, medido de acordo com a norma EN15503, dB(A)	99
Níveis de vibração ¹¹⁴	
Níveis de vibração equivalentes ($a_{hv,eq}$) nos punhos, medidos de acordo com a norma EN 15503, m/s^2	
Punhos dianteiros/traseiros:	5,6/8,3
Desempenho da ventoinha ¹¹⁵	
Velocidade máxima do ar com bocal padrão, m/s:	46
Fluxo de ar com bocal padrão, m^3/min	14

Especificações técnicas para produtos alimentados a bateria

325iLK + Blower attachment BA101	
Peso	
Peso, kg	2,3+1,9
Emissões de ruído ¹¹⁶	
Nível de potência sonora, medido dB (A)	103
Nível de potência sonora, garantido L_{WA} dB (A)	106

¹¹³ O valor equivalente do nível de pressão sonora é calculado com um ciclo de trabalho com uma duração de 1/7 para o ralenti e 6/7 para alta rotação. Os dados registados para o nível de pressão sonora equivalente para a máquina têm uma dispersão estatística típica (desvio padrão) de 1 dB(A).

¹¹⁴ O valor equivalente do nível de vibração é calculado com um ciclo de trabalho com uma duração de 1/7 para o ralenti e 6/7 para alta rotação. Os dados comunicados relativamente ao nível de vibração equivalente têm uma dispersão estatística típica (desvio padrão) de 1 m/s^2 .

¹¹⁵ Juntamente com a unidade do motor 525LK/GC2225C.

¹¹⁶ Emissões de ruído para as imediações, medidas sob forma de potência sonora (L_{WA}) em conformidade com a diretiva da CE 2000/14/CE. O nível de potência sonora registado para a máquina foi medido com o equipamento de corte original que debita o nível mais alto. A diferença entre a potência sonora garantida e medida é que a potência sonora garantida inclui também a dispersão no resultado da medição e as variações entre diferentes máquinas do mesmo modelo, de acordo com a diretiva 2000/14/CE.

325iLK + Blower attachment BA101	
Níveis sonoros ¹¹⁷	
Nível de pressão sonora, ao nível do ouvido do utilizador, medido de acordo com a norma ISO 26868, dB(A)	
Equipado com acessório aprovado (original), dB(A)	93
Níveis de vibração ¹¹⁸	
Níveis de vibração nos punhos, medidos de acordo com a norma EN 62841-1, m/s ²	
Equipado com acessório aprovado (original), esquerda/direita, m/s	1,6/1,1
Desempenho da ventoinha ¹¹⁹	
Fluxo de ar no modo normal com bocal padrão, m ³ /min	14
Velocidade máxima do ar no modo normal com bocal padrão, m/s:	45

¹¹⁷ Os dados comunicados relativamente ao nível de pressão sonora para a máquina têm uma dispersão estatística típica (desvio padrão) de 3 dB(A) e foram medidos com o acessório original que debita o nível mais alto. Medido juntamente com a unidade do motor 325iLK.

¹¹⁸ Os dados comunicados relativamente ao nível de vibração têm uma dispersão estatística típica (desvio padrão) de 2 m/s². Para comparar os níveis de vibrações de produtos a bateria e de combustão, utilize a calculadora de vibrações. Consulte <https://www.husqvarna.com/pt/servicos-solucoes/calculadora-vibracoes/>. Medido juntamente com a unidade do motor 325iLK.

¹¹⁹ Medido juntamente com a unidade do motor 325iLK.

Declaração de conformidade

Declaração UE de conformidade

A **Husqvarna AB**, SE-561 82 Huskvarna, Suécia,
tel.: +46-36-146500, declara, sob sua inteira
responsabilidade, que o produto:

Descrição	Acessório de soprador
Marca	Husqvarna
Tipo/Modelo	BA101
Identificação	Os números de série referentes a 2022 e posteriores

estão em plena conformidade com as seguintes
diretivas e regulamentos da UE:

Regulamento	Descrição
2006/42/CE	"relativa a máquinas"
2000/14/CE	"relativa a emissões de ruído para o ambiente"
2011/65/UE	"relativa à restrição do uso de determinadas substâncias perigosas em equipamento elétrico e eletrônico"

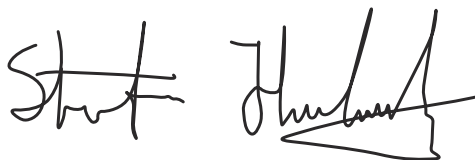
e que as seguintes normas e/ou especificações técnicas
são aplicadas: EN 15503:2009+A2:2015, EN ISO
12100:2021, EN IEC 63000:2018.

A SMP Svensk Maskinprovning AB, Box 4053, SE-904
03 Umeå, Sweden efetuou um exame de tipo voluntário,
de acordo com o anexo IX da Diretiva 2006/42/CE.

Número do certificado: SEC/15/2416 – Husqvarna
BA101.

Para mais informações sobre as emissões de ruído,
consulte *Especificações técnicas na página 166*.

Huskvarna, 2022-05-09



Stefan Holmberg, diretor de I&D, gestão de tecnologia,
Husqvarna AB

Responsável pela documentação técnica



Declaração UE de conformidade

A **Husqvarna AB**, SE-561 82 Huskvarna, Suécia, tel.: +46-36-146500, declara, sob sua inteira responsabilidade, que o produto:

Descrição	Acessório de soprador com unidade de alimentação Husqvarna 325iLK
Marca	Husqvarna
Tipo/Modelo	BA101
Identificação	Os números de série referentes a 2022 e posteriores

estão em plena conformidade com as seguintes diretivas e regulamentos da UE:

Regulamento	Descrição
2006/42/CE	"relativa a máquinas"
2000/14/CE	"relativa a emissões de ruído para o ambiente"
2011/65/UE	"relativa à restrição do uso de determinadas substâncias perigosas em equipamento elétrico e eletrônico"

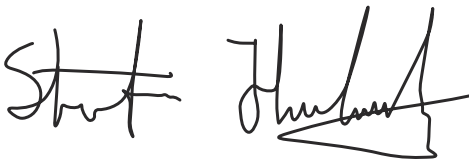
e que as seguintes normas e/ou especificações técnicas são aplicadas: IEC 62841-4-6, EN ISO 12100:2021, EN IEC 63000:2018.

A SMP Svensk Maskinprovning AB, Box 4053, SE-904 03 Umeå, Sweden efetuou um exame de tipo voluntário, de acordo com o anexo IX da Diretiva 2006/42/CE. Número do certificado: SEC/15/2416 – Husqvarna BA101.

A SMP Svensk Maskinprovning AB, também verificou a conformidade com o anexo V da Diretiva do Conselho 2000/14/CE. Número do certificado: 01/012/014.

Para mais informações sobre as emissões de ruído, consulte *Especificações técnicas na página 166*.

Huskvarna, 2022-05-09



Stefan Holmberg, diretor de I&D, gestão de tecnologia, Husqvarna AB

Responsável pela documentação técnica



CUPRINS

Introducere.....	170	Transportul, depozitarea și eliminarea.....	175
Siguranță.....	171	Date tehnice.....	176
Funcționarea.....	174	Declarație de conformitate.....	178
Întreținerea.....	175		

Introducere

Descrierea produsului

Avem o politică de îmbunătățire continuă a produselor și, prin urmare, ne rezervăm dreptul de a modifica proiectul și aspectul produselor fără preaviz.

Nota: Acest manual acoperă atât sursele de alimentare care funcționează cu benzină, cât și cele care funcționează cu baterie.

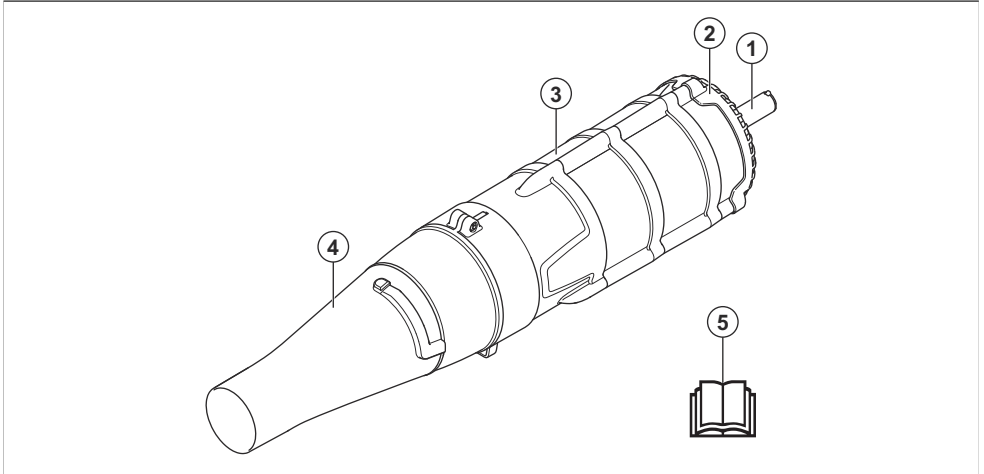
Destinația produsului



AVERTISMENT: Acest accesoriu poate fi utilizat numai împreună cu unitatea de alimentare pentru care este conceput. Consultați capitolul despre accesorii din manualul de utilizare pentru unitatea de alimentare.

Accesoriul este conceput numai pentru curățarea prin suflare a gazonului, a aleilor, a drumurilor asfaltate și a altor căi asemănătoare.

Prezentare generală a accesoriilor



1. Arbore
2. Filtru pentru priză de aer
3. Carcasă ventilator
4. Duză de aer
5. Manualul operatorului

Simbolurile de pe accesoriu și de pe sursa de alimentare



Utilizarea neatență sau incorectă a acestui accesoriu poate cauza vătămări corporale grave sau mortale operatorului sau altor persoane.



Citiți cu atenție manualul operatorului și asigurați-vă că înțelegeți instrucțiunile înainte de a utiliza accesoriul.



Acest accesoriu este conform cu directivele UE aplicabile.



Utilizați dispozitive de protecție pentru auz, respirație și ochelari de protecție aprobate.



Utilizați mănuși de protecție omologate.



Etichetă privind emisiile de zgomot în mediu, conform directivelor și reglementărilor din UE și Regatul Unit și legislației din New South Wales „Regulamentul privind măsurile de protecție a mediului (controlul zgomotului) din 2017”. Nivelul de putere sonoră garantat al produsului este specificat în *Date tehnice la pagina 176* și pe etichetă.



Operatorul suflantei trebuie să se asigure că nu se apropie nicio persoană și niciun animal la o distanță mai mică de 15 metri. Când în aceeași locație lucrează mai mulți operatori, trebuie să se respecte o distanță de siguranță de cel puțin 15 metri. Suflanta poate azvârli cu forță obiecte care pot ricoșa. Dacă nu se utilizează echipamentul de siguranță recomandat, acest lucru poate duce la vătămări oculare grave.

Nota: Alte simboluri/etichete de pe accesoriu se referă la cerințe de certificare specifice pentru anumite piețe.

Siguranță

Definiții privind siguranța

Avertizările, atenționările și notele sunt utilizate pentru a desemna părți foarte importante din manualul operatorului.



AVERTISMENT: Se utilizează dacă există risc de vătămare sau de deces pentru operator sau pentru trecători, în cazul în care instrucțiunile din manual nu sunt respectate.



ATENȚIE: Se utilizează dacă există un risc de deteriorare a produsului și/sau a accesoriului, a altor materiale sau a zonelor învecinate, dacă instrucțiunile din manual nu sunt respectate.

Nota: Se utilizează pentru a furniza mai multe informații care sunt necesare într-o situație dată.

Avertismente de siguranță pentru refulatoare de frunze, aspiratoare de grădină și refulatoare/aspiratoare de grădină

- **Înainte de utilizare, verificați cablul de alimentare și eventualele cabluri prelungitoare pentru a vedea dacă prezintă semne de deteriorare sau de uzură.** Nu atingeți cablul atât timp cât acesta nu este deconectat de la rețea. Nu folosiți utilajul în cazul în care cablul este deteriorat sau uzat. Un cablu de alimentare deteriorat poate provoca electrocutări, incendii și/sau vătămări corporale grave.
- **Nu utilizați mașina în condiții de vreme nefavorabilă, mai ales când există risc de descărcări electrice.** Aceasta reduce riscul de a fi lovit de trăsnet.
- **Purtați ochelari de protecție și echipament de protecție pentru urechi.** Un echipament de protecție adecvat va reduce riscul de vătămare corporală.
- **În timp ce folosiți utilajul, purtați mereu încălțăminte antiderapantă de protecție. Nu operați aparatul în picioarele goale sau purtând sandale deschise.** Acest lucru reduce riscul de rănire a picioarelor.

Instrucțiuni de siguranță pentru utilizare



AVERTISMENT: Înainte de a utiliza produsul, citiți instrucțiunile de avertizare de mai jos.



AVERTISMENT: În timpul funcționării, acest produs generează un câmp electromagnetic. În anumite condiții, acest câmp poate interfera cu implanturile medicale active sau pasive. Pentru a reduce riscul vătămare gravă sau de deces, recomandăm persoanelor cu implanturi medicale să se consulte cu medicul și cu producătorul implantului medical înainte de a utiliza acest produs.

- Nu purtați haine sau articole de îmbrăcăminte largi, cum ar fi eșarfe, șnururi, lanțuri, cravate etc., care ar putea fi atrase în orificiile de admisie aerului. Legați la spate sau acoperiți părul lung pentru a vă asigura că acesta nu va fi atras în orificiile de admisie a aerului. Dacă oricare dintre aceste obiecte este atras în orificiile de admisie a aerului, poate crește riscul de vătămare corporală.
- Țineți trecătorii la distanță în timp ce folosiți mașina. Resturile aruncate pot crește riscul de vătămare corporală.
- Nu îndreptați niciodată duza suflantei în direcția persoanelor sau a animalelor de companie sau în direcția ferestrelor. Fiți foarte atenți atunci când suflați resturile în apropierea unor obiecte solide, cum ar fi copaci, automobile și pereți care pot provoca ricoșarea resturilor. Obiectele aruncate pot deteriora bunurile și pot crește riscul de vătămare corporală.
- Nu folosiți utilajul pentru a sufla materiale care ard sau scot fum, precum țigări, chibrituri sau cenușă fierbinte. Aceste surse de aprindere pot crește riscul de incendiu.
- Nu atingeți ventilatorul în timp ce acesta este încă în mișcare. Opriti utilajul și așteptați până când ventilatorul se oprește înainte de a scoate orice piesă care poate oferi acces la ventilator. Astfel reduceți riscul de vătămări corporale produse de componentele în mișcare.
- Atunci când curățați materialul blocat sau efectuați lucrări de service asupra utilajului, asigurați-vă că întrerupătorul de alimentare este în poziția de oprire. Acționarea accidentală a utilajului în timpul îndepărtării materialului blocat sau lucrărilor de service poate cauza vătămări corporale grave.

Instrucțiuni generale de siguranță



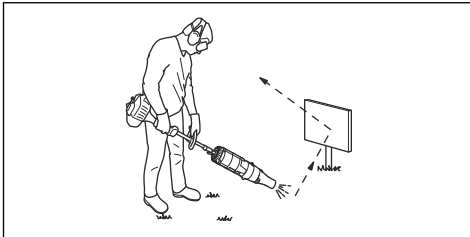
AVERTISMENT: Înainte de a utiliza accesoriul, citiți instrucțiunile de siguranță de mai jos.

- Vă rugăm să citiți cu atenție manualul operatorului și să vă asigurați că înțelegeți instrucțiunile înainte de a utiliza accesoriul.
- Acest manual al operatorului trebuie citit împreună cu manualul de utilizare al unității de alimentare pentru a obține informații complete despre utilizator.
- Nu modificați sub nicio formă proiectul accesoriului fără permisiunea producătorului. Nu folosiți un accesoriu care pare să fi fost modificat de alte persoane și utilizați întotdeauna accesoriile originale. Modificările și/sau accesoriile neautorizate pot avea drept rezultat vătămări corporale grave sau decesul operatorului sau al altor persoane.

- Nu utilizați niciodată produsul dacă sunteți oboseți, bolnav, ați consumat alcool sau luați alte medicamente care vă pot afecta vederea, discernământul sau coordonarea.
- Nu utilizați niciodată un produs defect.
- Înainte de pornire trebuie montate toate capacele și apărătorile. Dacă aveți un produs care funcționează cu benzină, asigurați-vă că pipa bujiei și cablul de aprindere nu sunt deteriorate, pentru a preveni riscul de electrocutare.
- Operatorul suflantei trebuie să se asigure că nu se apropie nicio persoană și niciun animal la o distanță mai mică de 15 metri. Când în aceeași locație lucrează mai mulți operatori, trebuie să se respecte o distanță de siguranță de cel puțin 15 metri.
- Nu permiteți niciodată copiilor să folosească acest produs.
- Nu permiteți nimănui să folosească produsul înainte de a vă asigura că a înțeles conținutul manualului operatorului.
- Nu demontați niciodată filtrul prizei de aer.
- Nu atingeți niciodată bujia sau cablul de alimentare a aprinderii în timp ce motorul este în funcțiune. Dacă atingeți bujia sau obturatorul puteți suferi un șoc electric.
- Contactați întotdeauna autoritățile locale și asigurați-vă că urmați directivele aplicabile.
- Feriți-vă toate părțile corpului de suprafețele fierbinți.
- Dacă întâlniți o situație în care nu știți sigur cum să procedați, trebuie să întrebați un specialist. Contactați distribuitorul sau atelierul de service. Evitați utilizările care, în opinia dvs., vă depășesc abilitățile.
- Țineți gura suflantei cât mai aproape de sol. Utilizați întreaga lungime a țevii de suflare pentru a păstra fluxul de aer aproape de sol.
- Utilizați utilajul în timpul orelor normale de lucru pentru a evita perturbarea inutilă. Evitați să lucrați dimineața devreme sau noaptea târziu.
- Fiți atent la zona înconjurătoare. Dacă cineva se apropie de zona de lucru, eliberați accelerația/

întrerupătorul până când persoana se află la o distanță sigură. Dirijați suflanta departe de persoane, animale, locuri de joacă, ferestre deschise și automobile etc. Forța aerului poate face ca pietrele, gunoaiile sau bețele să fie aruncate sau să ricoșeze, ceea ce poate duce la rănirea persoanelor sau a animalelor, la spargerea sticlei, sau poate produce alte pagube.

- Nu puneți niciodată mâinile sau alte obiecte în cauza refulatorului, spre a evita rănirile grave din cauza propulsorului care se rotește.
- Păstrați suprafața exterioară curată, fără urme de ulei sau de carburant.
- Nu folosiți niciodată aparatul pentru a stropi cu substanțe chimice, îngrășăminte sau alte substanțe care ar putea conține elemente toxice.
- Pentru a evita extinderea incendiilor, nu folosiți accesoriul lângă focuri de frunze sau de crengi, focare, grătare cu cărbuni, scrumiere etc.
- Nu introduceți și nu stropiți niciodată accesoriul cu apă sau cu oricare alt lichid.
- Utilizați întotdeauna ambele mâini pentru a ține utilajul. Țineți utilajul pe lângă corp.
- Dacă aveți un produs care funcționează cu benzină, lăsați motorul să se răcească înainte de a realimenta cu carburant.
- Curenții puternici de aer pot deplasa obiectele la viteze suficient de mari pentru ca acestea să ricoșeze înapoi și să cauzeze vătămări oculare grave.



- Opriiți motorul înainte de a asambla sau de a demonta accesoriile sau alte piese.
- Nu utilizați niciodată produsul pe vreme rea, de exemplu pe ceață densă, ploaie abundentă, pe vânt puternic, la temperaturi foarte scăzute etc. Lucrul pe vreme rea este obositor și poate crea situații periculoase, de ex. pe suprafețele alunecoase.
- Asigurați-vă că vă puteți deplasa și sta în picioare în siguranță. Verificați dacă în zona din jurul dvs. nu există posibile obstacole (rădăcini, pietre, crengi, șanțuri etc.) în caz că trebuie să vă deplasați brusc. Aveți mare grijă când lucrați pe teren în pantă.



- Nu lăsați niciodată produsul jos cu motorul pornit decât dacă aveți o bună vizibilitate asupra acestuia.
- Dacă aveți un produs care funcționează cu benzină, gazele de eșapament de la motor conțin monoxid de carbon, care poate cauza intoxicație cu monoxid de carbon. Din acest motiv, nu trebuie să porniți sau să utilizați produsul în interior sau într-o zonă slab aerisită.
- Suflanta nu trebuie utilizată pe scări, pe eșafodaje sau în locuri înalte (spre ex., pe acoperișuri). Lucrarea poate provoca vătămări grave.



- Nu utilizați produsul decât în situații în care puteți solicita ajutor în eventualitatea unui accident.
- Nu puneți niciodată obiecte în orificiul de intrare a aerului, deoarece acestea pot bloca circulația normală a aerului și pot duce la deteriorarea aparatului.
- Asigurați-vă produsul nu se lovește de garduri, copaci sau alte obiecte dure. Acest lucru poate provoca deteriorarea utilajului și provoca leziuni grave.
- Ascultați semnalele de avertisment sau strigătele când purtați echipament pentru protecția auzului. Îndepărtați echipamentul pentru protecția auzului imediat ce se oprește motorul.

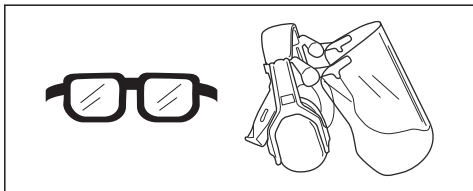
Echiptament de protecție personală



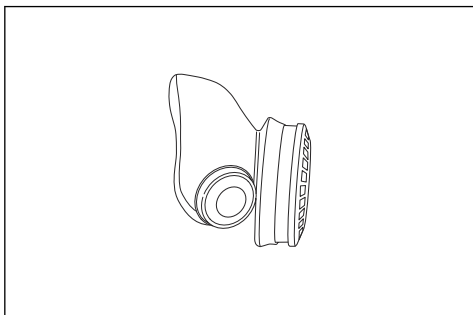
AVERTISMENT: Înainte de a utiliza produsul, citiți instrucțiunile de avertizare de mai jos.

- Utilizați întotdeauna echipamente de protecție personală atunci când folosiți produsul. Echipamentul individual de protecție nu poate elimina complet riscul de rănire, însă poate reduce gravitatea rănilor în cazul unui accident. Distribuitorul vă poate ajuta să alegeți echipamentul corect.

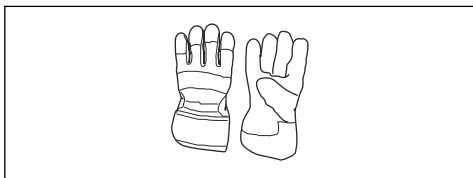
- Purtați protecție pentru auz omologată, care asigură reducerea adecvată a zgomotului. Expunerea pe termen lung la zgomot vă poate afecta ireversibil auzul.
- Utilizați ochelari de protecție omologați. Dacă utilizați un vizor de protecție, trebuie să purtați și ochelari de protecție. Ochelarii de protecție trebuie să fie compatibili cu standardul ANSI Z87.1 în S.U.A. sau EN 166 în țările UE.



- Utilizați protecție respiratorie când există pericolul de generare a prafului.



- Purtați mănuși atunci când este necesar, de exemplu atunci când conectați, inspectați sau curățați echipamentul.



- Utilizați ghete sau pantofi solizi, cu talpă antiderapantă.



- Purtați haine din țesături rezistente. Purtați întotdeauna pantaloni lungi, din material gros, și îmbrăcăminte cu mâneci lungi. Nu purtați haine largi, care se pot prinde în crengute și ramuri. Nu purtați bijuterii, șort, sandale și nu lucrați în picioarele goale. Strângeți-vă părul în siguranță, deasupra nivelului umărului.
- Păstrați la îndemână echipament de prim ajutor.



Instrucțiuni de siguranță pentru întreținere



AVERTISMENT: Înainte de a utiliza produsul, citiți instrucțiunile de avertizare de mai jos.

Efectuați o inspecție generală a produsului înainte de utilizare. Consultați programul de întreținere.

Efectuați operațiile de întreținere și de service descrise în acest manual. Anumite operații de întreținere și de service trebuie efectuate de specialiști instruiți și calificați. Consultați instrucțiunile din subcapitolul Întreținerea.

Înainte de începerea lucrului, verificați întotdeauna existența posibilelor obiecte care pot bloca filtrul prizei de aer.

Pentru a preveni deteriorările din cauza căderii produsului, asamblarea și demontarea trebuie realizate aproape de suprafața solului.

Funcționarea

Utilizarea accesoriului

Nota: Respectați persoanele din zona de lucru evitând să utilizați dispozitivul la ore nepotrivite, cum ar fi seara târziu sau dimineața devreme. Reduceți nivelurile de zgomot limitând numărul de echipamente utilizate simultan. Citiți și respectați instrucțiunile simple, astfel încât să perturbați cât mai puțin zona.

1. Pentru a disloca gunoii lipit de sol, utilizați o greblă sau o perie.
2. Curățați colțurile începând din colț și îndreptându-vă spre exterior. Acest lucru permite evitarea acumulării de resturi, care ar putea fi aruncate spre fața dvs.

- Utilizați suflanta la cea mai mică accelerație/viteză posibilă. Rareori este necesar să utilizați accelerația/viteza maximă, multe dintre procedurile de lucru putând fi executate la jumătate de accelerație/viteză. O accelerație/viteză mai mică înseamnă mai puțin zgomot și mai puțin praf și, de asemenea, facilitează controlul asupra gunoiului colectat/mutat.
- Reduceți timpul de suflare prin umezirea ușoară a zonelor de praf sau prin utilizarea echipamentului de pulverizare.
- Reduceți consumul de apă utilizând suflante în loc de furtunuri de apă pentru diferite aplicații din jurul gazonului și al grădinii, cum ar fi grilaje, garduri, grătare, terase etc.
- Aveți grijă când lucrați lângă plante. Forța aerului poate afecta plantele delicate.
- Viteza jetului de aer se reglează cu ajutorul accelerației/întrerupătorului. Selectați viteza optimă pentru activitățile respective.
- Fiți atenți la direcția vântului. Folosiți-vă de vânt pentru a vă ușura munca.
- Utilizarea suflantei pentru mutarea unor grămezi mari irosește timpul și generează zgomot inutil.
- Păstrați un echilibru optim și stabilitatea picioarelor.
- Mențineți distanța între tub și sol pentru evita contactul cu solul atunci când lucrați cu produsul.
- La final, curățați zona de lucru. Asigurați-vă că nu ați suflat gunoi în grădina altei persoane. Aruncați resturile în containere pentru gunoi.
- La finalul lucrului, produsul trebuie depozitat în poziție orizontală.

Întreținerea

Introducere

Mai jos veți găsi câteva instrucțiuni generale de întreținere. Dacă aveți nevoie de informații ulterioare, vă rugăm contactați atelierul de service.

Efectuarea operațiilor zilnice de întreținere a accesoriului



AVERTISMENT: Oprii întotdeauna motorul înainte de a curăța sau a efectua întreținerea accesoriului. Dacă aveți un produs care funcționează cu benzină, deconectați cablul de alimentare a aprinderii de la bujie. Dacă aveți un produs care funcționează cu baterie, scoateți bateria.



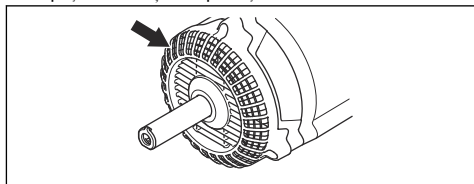
AVERTISMENT: Feriți-vă toate părțile corpului de suprafețele fierbinți.

- Curățați suprafața exterioară a refulatorului.
- Asigurați-vă ca nicio carcasă să nu aibă crăpături.

- Asigurați-vă ca produsul să fie în perfectă stare de funcționare.
- Verificați dacă toate șuruburile și piulițele sunt strânse bine.
- Curățați etichetele folosind o cârpă umedă și detergent delicat.

Verificarea filtrului prizei de aer

- Asigurați-vă că priză de aer nu este blocată pe nicio parte, inclusiv pe partea de dedesubt, de exemplu, cu frunze sau gunoi. O priză de aer înfundată reduce capacitatea de suflare a produsului și crește temperatura de funcționare a motorului, ceea ce poate conduce la defectarea motorului. Oprii motorul și îndepărtați obiectul.



Transportul, depozitarea și eliminarea

Transport și depozitare

Executați următoarele operațiuni după fiecare utilizare:

- Lăsați accesoriul să se răcească înainte de a-l depozita sau de a-l transporta.
- Păstrați aparatul într-un loc înalt, răcoros, uscat, la interior, la care copiii să nu aibă acces.

DEPOZITAREA PERIODICĂ

Pregătiți accesoriul pentru depozitare la sfârșitul sezonului sau dacă urmează să nu fie folosit pe o perioadă mai lungă de 30 de zile. Dacă dispozitivul

refulator urmează a fi depozitat pe o perioadă mai lungă de timp:

- Curățați unitatea.
- Controlați dispozitivul să nu aibă piese slăbite sau deteriorate. Strângeți șuruburile slăbite.
- Înlocuiți toate piesele deteriorate, uzate sau defecte.
- La începutul următorului sezon, folosiți numai carburant proaspăt, cu proporția adecvată de benzină-ulei.

Eliminarea la deșeuri

- Respectați cerințele de reciclare și reglementările locale aplicabile.

- Atunci când produsul nu mai este în uz, trimiteți-l la un distribuitor Husqvarna sau casați-l într-o unitate de reciclare.

Date tehnice

Date tehnice pentru produse care funcționează pe benzină

BA101	
Greutate	
Greutate, kg	1,9
Emisii de zgomot	
Nivel de putere acustică, măsurat dB(A)	111
Nivel de putere acustică garantat L_{WA} dB(A)	114
Niveluri de zgomot ¹²⁰	
Nivel de presiune a zgomotului echivalent pentru urechile operatorului, măsurat conform EN15503 dB(A)	99
Niveluri de vibrații ¹²¹	
Nivelurile de vibrații echivalente ($a_{hv,eq}$) la mână, măsurate în conformitate cu EN 15503, m/s^2	
Mână față/spate:	5,6/8,3
Performanța ventilatorului ¹²²	
Viteza max. a aerului cu duză standard, m/s:	46
Debit de aer cu duză standard, m^3/min	14

Date tehnice pentru produse care funcționează pe acumulator

325ILK + Blower attachment BA101	
Greutate	
Greutate, kg	2,3+1,9
Emisii de zgomot ¹²³	

¹²⁰ Nivelul echivalent al presiunii sunetului este calculat la un ciclu de lucru cu durată de 1/7 pentru mersul în gol și de 6/7 pentru accelerare. Datele raportate pentru nivelul echivalent de presiune a sunetului pentru utilaj includ o dispersie statistică tipică (deviere standard) de 1 dB (A).

¹²¹ Nivelul de vibrații echivalent este calculat la un ciclu de lucru cu durată de 1/7 pentru mersul în gol și de 6/7 pentru accelerare. Datele raportate pentru nivelul de vibrații echivalent includ o dispersie statistică tipică (abatere standard) de 1 m/s^2 .

¹²² Împreună cu unitatea cu motor 525LK/GC2225C.

¹²³ Emisiile de zgomot în mediu măsurate ca putere acustică (L_{WA}) în conformitate cu directiva CE 2000/14/CE. Nivelul de putere a sunetului raportat pentru aparat a fost măsurat cu accesoriul original de tăiere care emite cel mai ridicat nivel. Diferența dintre puterea garantată a sunetului și cea măsurată este aceea că puterea garantată a sunetului include, de asemenea, dispersia în rezultatul de măsurare și variațiile dintre diferitele aparate ale aceleiași model conform Directivei 2000/14/CE.

325iLK + Blower attachment BA101	
Nivel de putere acustică, măsurat dB(A)	103
Nivel de putere acustică garantat L_{WA} dB(A)	106
Niveluri de zgomot ¹²⁴	
Nivel de presiune a zgomotului pentru urechile operatorului, măsurat conform ISO 26868 dB(A)	
Dotat cu accesoriu aprobat (original), dB (A)	93
Niveluri de vibrații ¹²⁵	
Nivelurile de vibrații la mână, măsurate în conformitate cu EN 62841-1, m/s^2	
Dotat cu accesoriu omologat (original), stânga/dreapta m/s	1,6/1,1
Performanța ventilatorului ¹²⁶	
Debitul de aer în modul normal cu duză standard, m^3/min	14
Viteza maximă a aerului în modul normal cu duză standard, m/s:	45

¹²⁴ Datele raportate pentru nivelul de presiune a zgomotului pentru utilaj au o dispersie statistică tipică (deviație standard) de 3 dB (A) și au fost măsurate cu accesoriul original care oferă cel mai înalt nivel. Măsurat împreună cu unitatea cu motor 325iLK.

¹²⁵ Datele raportate pentru nivelul de vibrații prezintă o dispersie statistică tipică (abatere standard) de 2 m/s^2 . Pentru compararea nivelurilor de vibrații dintre produsele pe acumulator și cele pe benzină folosiți calculatorul de vibrații. Consultați <https://www.husqvarna.com/uk/services-solutions/vibration-calculator/>. Măsurat împreună cu unitatea cu motor 325iLK.

¹²⁶ Măsurat împreună cu unitatea cu motor 325iLK.

Declarație de conformitate

Declarație de conformitate UE

Noi, **Husqvarna AB**, SE-561 82 Huskvarna, Suedia, tel.: +46-36-146500, declarăm pe propria răspundere, că produsul:

Descriere	Accesorii de suflantă
Marcă	Husqvarna
Tip/Model	BA101
Identificare	Numerele de serie începând cu 2022

respectă în totalitate următoarele directive și reglementări UE:

Reglementare	Descriere
2006/42/CE	„privind echipamentele tehnice”
2000/14/CE	„privind emisiile de zgomot în mediul înconjurător”
2011/65/UE	„privind restricțiile de utilizare a anumitor substanțe periculoase în echipamentele electrice și electronice”

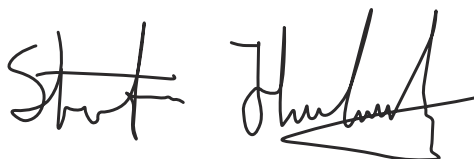
și că au fost aplicate următoarele standarde și/sau specificații tehnice: EN 15503:2009+A2:2015, EN ISO 12100:2021, EN IEC 63000:2018.

SMP Svensk Maskinprovning AB, Box 4053, SE-904 03 Umeå, Sweden a efectuat teste de tip voluntar, în conformitate cu anexa IX a directivei 2006/42/CE.

Număr certificat: SEC/15/2416 – Husqvarna BA101.

Pentru informații privind emisiile de zgomot, consultați *Date tehnice la pagina 176*.

Huskvarna, 2022-05-09



Stefan Holmberg, Director de cercetare și dezvoltare,
Departamentul de gestionare a tehnologiei, Husqvarna AB

Responsabil pentru documentația tehnică



Declarație de conformitate UE

Noi, **Husqvarna AB**, SE-561 82 Huskvarna, Suedia, tel.:
+46-36-146500, declarăm pe propria răspundere, că
produsul:

Descriere	Accesoriu de refulator cu sursă de alimentare Husqvarna 325iLK
Marcă	Husqvarna
Tip/Model	BA101
Identificare	Numerele de serie începând cu 2022

respectă în totalitate următoarele directive și
reglementări UE:

Reglementare	Descriere
2006/42/CE	„privind echipamentele tehnice”
2000/14/CE	„privind emisiile de zgomot în mediul înconjurător”
2011/65/UE	„privind restricțiile de utilizare a anumitor substanțe periculoase în echipamentele electrice și electronice”

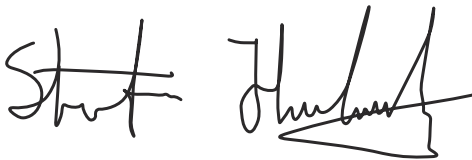
și că au fost aplicate următoarele standarde și/sau
specificații tehnice: IEC 62841-4-6, EN ISO 12100:2021,
EN IEC 63000:2018.

SMP Svensk Maskinprovning AB, Box 4053, SE-904
03 Umeå, Sweden a efectuat teste de tip voluntar,
în conformitate cu anexa IX a directivei 2006/42/CE.
Număr certificat: SEC/15/2416 – Husqvarna BA101.

SMP Svensk Maskinprovning AB a verificat, de
asemenea, conformitatea cu anexa V a Directivei
Consiliului 2000/14/CE. Număr certificat: 01/012/014.

Pentru informații privind emisiile de zgomot, consultați
Date tehnice la pagina 176.

Huskvarna, 2022-05-09



Stefan Holmberg, Director de cercetare și dezvoltare,
Departamentul de gestionare a tehnologiei, Husqvarna
AB

Responsabil pentru documentația tehnică



Содержание

Введение.....	180	Транспортировка, хранение и утилизация.....	186
Безопасность.....	181	Технические данные.....	186
Эксплуатация.....	185	Декларация о соответствии.....	189
Техническое обслуживание.....	185		

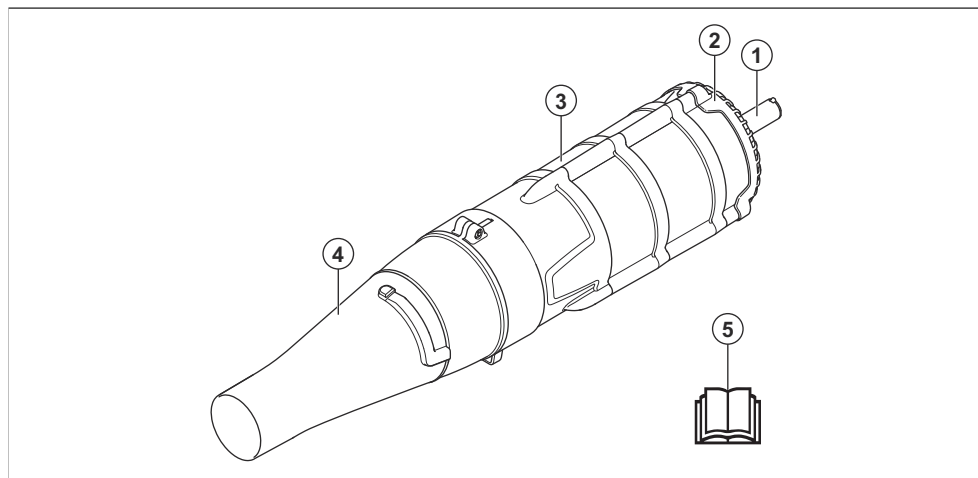
Введение

Описание изделия

Мы постоянно работаем над совершенствованием и развитием своей продукции и поэтому оставляем за собой право на внесение изменений в конструкцию и внешний вид без предварительного предупреждения.

Примечание: Данное руководство распространяется как на бензиновые, так и на аккумуляторные блоки питания.

Обзор оборудования



1. Штанга
2. Фильтр в воздуховоде
3. Корпус вентилятора
4. Воздушная форсунка
5. Руководство по эксплуатации

Использование по назначению



ПРЕДУПРЕЖДЕНИЕ: Данное оборудование можно использовать только вместе с подходящим блоком питания. См. главу "Принадлежности" в руководстве по эксплуатации блока питания.

Данное оборудование предназначено только для выдувания мусора с газонов, дорожек, асфальта и т. д.

Условные обозначения на оборудовании и блоке питания



Небрежная или неправильная эксплуатация данного оборудования может привести к тяжелой или смертельной травме пользователя или других лиц.



Перед началом работы с оборудованием внимательно прочитайте руководство по эксплуатации и убедитесь, что понимаете приведенные инструкции.



Данное оборудование отвечает требованиям соответствующих директив ЕС.



Используйте одобренные средства защиты органов слуха, зрения и дыхания.



Используйте одобренные защитные перчатки.



Табличка с уровнем эмиссии шума в окружающую среду в соответствии с директивами и нормативами Европейского союза, Великобритании и законодательством Нового Южного

Уэльса "Регламент 2017 года по защите окружающей среды (контроль уровня шума)". Гарантированный уровень звуковой мощности изделия указан в *Технические данные на стр. 186* и на табличке.



Оператор воздухоудва обязан следить за тем, чтобы в радиусе 15 м не находились люди или животные. При работе нескольких человек на одном участке между ними должна поддерживаться безопасная дистанция не менее 15 м. Во время работы воздухоудв может случайно отбрасывать предметы, которые могут отскочить обратно. Это может привести к серьезным повреждениям глаз, если не использовать рекомендованные средства защиты.

Примечание: Другие символы/наклейки на оборудовании нанесены согласно специальным требованиям к сертификации, которые действуют в определенных странах.

Безопасность

Инструкции по технике безопасности

Предупреждения, предостережения и примечания используются для выделения особо важных пунктов руководства по эксплуатации.



ПРЕДУПРЕЖДЕНИЕ:

Используется, когда несоблюдение инструкций руководства может привести к травмам или смерти оператора или находящихся рядом посторонних лиц.



ВНИМАНИЕ: Используется, когда несоблюдение инструкций руководства может привести к повреждению изделия и/или принадлежности, других материалов или прилегающей территории.

Примечание: Используется для предоставления дополнительных сведений о конкретной ситуации.

Указания техники безопасности при работе с садовым воздухоудвом,

садовым пылесосом и садовым воздухоудвом/пылесосом

- **Перед эксплуатацией проверьте шнур питания и удлинитель на наличие признаков повреждения или износа.** Не прикасайтесь к шнуру, пока он не будет отсоединен от сети. Запрещается использовать изделие, если шнур поврежден или изношен. Поврежденный шнур питания может привести к поражению электрическим током, возгоранию и/или тяжелым травмам.
- **Не используйте изделие в плохих погодных условиях, особенно если существует риск удара молнии.** Это позволяет уменьшить риск поражения молнией.
- **Всегда используйте средства защиты глаз и органов слуха.** Использование надлежащих средств защиты снизит риск получения травм.
- **При работе с изделием всегда надевайте защитную обувь с нескользящей подошвой. Запрещается работать с изделием босиком или в открытых сандалиях.** Это снижает риск получения травм ног.
- **Не надевайте свободную одежду и не носите шарфы, цепи, галстуки, шнурки и т. д., которые могут попасть в воздухозаборники. Завяжите длинные волосы или уберите их под головной убор, чтобы их не затянуло в воздухозаборники.** Если какие-либо предметы или волосы будут

затянуты в воздухозаборники, это увеличит риск получения травм.

- **Не допускайте приближения посторонних лиц к вам во время работы изделия.** Отбрасываемый мусор повысит риск получения травм.
- **Никогда не направляйте насадку воздуходува на людей или домашних животных и на окна. Соблюдайте особую осторожность при сдувании мусора вблизи твердых предметов, таких как деревья, автомобили и стены, от которых мусор может от ricoшететь.** Отбрасываемые предметы могут повредить имущество и повысить риск получения травм.
- **Запрещается сдувать изделием дымящиеся или горящие предметы, например сигареты, спички и горячий пепел.** Эти источники возгорания могут повысить риск возникновения пожара.
- **Не прикасайтесь к вращающемуся вентилятору. Выключите изделие и дождитесь, пока вентилятор остановится, прежде чем снимать детали, которые обеспечивают доступ к вентилятору.** Это снижает риск получения травм от движущихся частей.
- **Перед удалением застрявшего материала или обслуживанием изделия убедитесь, что выключатель питания выключен.** Непредвиденное включение изделия при удалении застрявшего материала или техобслуживании может привести к тяжелой травме.

Инструкции по технике безопасности во время эксплуатации



ПРЕДУПРЕЖДЕНИЕ: В обязательном порядке прочитайте следующие инструкции по технике безопасности, прежде чем приступить к эксплуатации изделия.



ПРЕДУПРЕЖДЕНИЕ: Во время работы данное изделие создает электромагнитное поле. В определенных обстоятельствах это поле может создавать помехи для пассивных и активных медицинских имплантатов. В целях снижения риска серьезной или смертельной травмы лицам с медицинскими имплантатами рекомендуется проконсультироваться с врачом и изготовителем имплантата, прежде чем приступить к эксплуатации данного изделия.

- Запрещается эксплуатировать изделие в состоянии усталости, при болезни, после приема алкоголя или лекарств, снижающих остроту зрения, координацию или скорость реакции.
- Запрещается пользоваться изделием при наличии неисправностей.
- Перед началом работы все кожуки и крышки должны быть установлены на свои места. При эксплуатации бензинового изделия во избежание риска поражения электрическим током убедитесь, что колпачок свечи зажигания и провод зажигания не повреждены.
- Оператор воздуходува обязан следить за тем, чтобы в радиусе 15 м не находились люди или животные. При работе нескольких человек на одном участке между ними должна поддерживаться безопасная дистанция не менее 15 м.
- Ни в коем случае не разрешайте детям пользоваться изделием.
- Ни в коем случае не позволяйте использовать изделие посторонним лицам, не убедившись сначала в том, что они прочитали и поняли содержание руководства по эксплуатации.
- Никогда не снимайте сетчатый фильтр воздухозаборника.
- Категорически запрещается касаться колпачка свечи или кабеля зажигания при работающем двигателе. Прикосновение к свече зажигания или штекеру может привести к поражению электрическим током.
- Всегда обращайтесь в местные органы власти и проверяйте, что вы соблюдаете требования действующих директив.

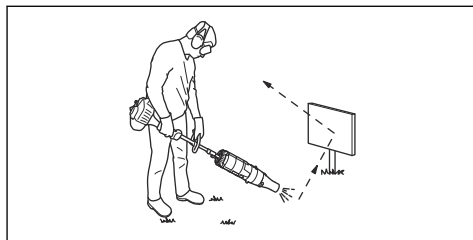
Общие инструкции по технике безопасности



ПРЕДУПРЕЖДЕНИЕ: В обязательном порядке прочитайте следующие инструкции по технике безопасности, прежде чем приступить к эксплуатации оборудования.

- Перед началом работы с оборудованием внимательно прочитайте руководство по эксплуатации и убедитесь, что понимаете приведенные инструкции.
- Для получения исчерпывающей информации необходимо прочитать данное руководство, а также руководство по эксплуатации блока питания.
- Ни при каких обстоятельствах не допускается внесение изменений в первоначальную конструкцию оборудования без разрешения производителя. Запрещается использовать оборудование, если существует вероятность, что в его конструкцию внесены изменения другими лицами; используйте только оригинальные принадлежности. Внесение не одобренных изменений и/или использование неразрешенных принадлежностей может привести к тяжелой травме или смерти оператора или других лиц.

- Держите все части тела на безопасном расстоянии от нагретых поверхностей изделия.
- В случае возникновения ситуации, в которой вы почувствуете неуверенность относительно дальнейшей работы с изделием, обратитесь за консультацией к специалисту. Свяжитесь с дилером или сервисным центром. Не пытайтесь решить какую-либо задачу, если считаете, что она находится за пределами ваших возможностей.
- Держите отверстие воздуходува как можно ближе к земле. Используйте всю длину продувочной трубки для того, чтобы воздушный поток не отклонялся от земли.
- Используйте оборудование в рабочее время, чтобы не беспокоить окружающих. Старайтесь не работать ранним утром или поздним вечером.
- Следите за окружающей обстановкой. В случае приближения кого-либо к вашему месту работы отпустите курок/переключатель и дождитесь, пока человек отойдет на безопасное расстояние. Не направляйте воздуховод на людей, животных, игровые зоны, открытые окна, автомобили и т. д. Воздушный поток может отбросить камни, мусор и ветки, которые могут травмировать людей и животных, разбить стекло или причинить иной ущерб.
- Запрещается помещать руки или какие-либо предметы в корпус воздуходува; в противном случае вращающееся рабочее колесо может стать причиной серьезной травмы.
- На внешней поверхности не должно быть следов масла или топлива.
- Запрещается использовать изделие для разбрасывания химикатов, удобрений и прочих веществ, которые могут содержать токсичные материалы.
- Во избежание распространения огня не работайте вблизи сжигаемых листьев или веток, костров, мангалов, пепелищ и т. д.
- Никогда не смачивайте оборудование и не брызгайте на него водой или любой другой жидкостью.
- Всегда держите изделие обеими руками. Держите изделие сбоку от себя.
- Перед заправкой бензинового изделия дождитесь остывания двигателя.
- Мощные потоки воздуха могут перемещать предметы с такой скоростью, при которой предметы могут отскочить обратно и нанести серьезную травму глаз.

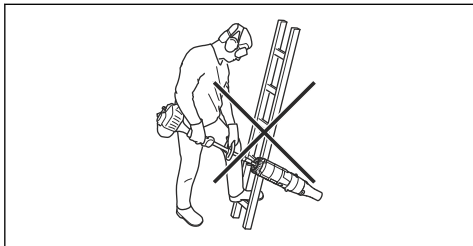


- Останавливайте (электро-)двигатель перед установкой или снятием принадлежностей или других компонентов.
- Запрещается использовать изделие в плохих погодных условиях, таких как густой туман, сильный дождь, резкий ветер, низкие температуры и т. д. Работа в плохую погоду сильно утомляет и может привести к возникновению опасных ситуаций, например, из-за скользких поверхностей.
- Убедитесь, что вы можете двигаться и стоять безопасно. Проверьте, нет ли вокруг вас возможных помех и препятствий (корней, камней, веток, ям и т. д.), на случай если вам вдруг потребуется быстро переместиться. При работе на наклонной поверхности соблюдайте особую осторожность.



- Ни в коем случае не опускайте изделие на землю при работающем (электро-)двигателе, за исключением случаев, когда его хорошо видно.
- Выхлопные газы бензинового изделия содержат угарный газ, который может стать причиной отравления. По этой причине не следует запускать изделие в помещении и в плохих проветриваемых местах.
- Запрещается эксплуатировать воздуховод при нахождении на лестнице или платформе, а также с высоты (например, на крыше). В противном

случае возникает риск получения серьезных травм.



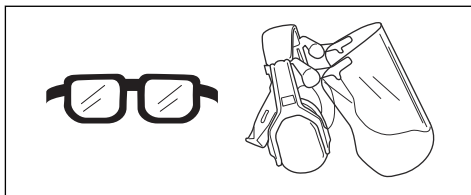
- Запрещено использовать изделие в условиях, когда вы не сможете позвать на помощь при несчастном случае.
- Запрещается помещать какие-либо предметы во впускное отверстие, так как это может создать препятствие для нормального потока воздуха и привести к повреждению изделия.
- Следите за тем, чтобы изделие не ударилось о забор, дерево или другой твердый материал. Это может привести к повреждению изделия и серьезным травмам.
- При использовании средств защиты органов слуха в работе прислушивайтесь к предупреждающим сигналам или крикам. Снимайте средства защиты органов слуха сразу после остановки (электро-)двигателя.

Средства индивидуальной защиты

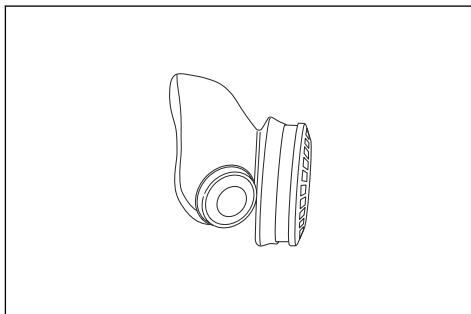


ПРЕДУПРЕЖДЕНИЕ: В обязательном порядке прочитайте следующие инструкции по технике безопасности, прежде чем приступать к эксплуатации изделия.

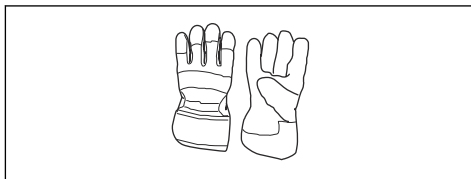
- При работе с изделием всегда используйте одобренные средства индивидуальной защиты. Средства индивидуальной защиты не могут полностью исключить риск получения травмы, но при несчастном случае они снижают тяжесть травмы. За помощью по правильному выбору СИЗ обращайтесь к дилеру.
- Используйте одобренные защитные наушники с достаточным уровнем подавления шума. Продолжительное воздействие шума может стать причиной неизлечимого ухудшения слуха.
- Используйте одобренные средства защиты глаз. При использовании защитного щитка следует также пользоваться одобренными защитными очками. Под одобренными защитными очками подразумеваются очки, отвечающие требованиям стандарта ANSI Z87.1 для США или EN 166 для стран ЕС.



- При работе в условиях, которые могут привести к появлению пыли, используйте средства защиты органов дыхания.



- При необходимости надевайте перчатки, например при креплении, проверке или очистке оборудования.

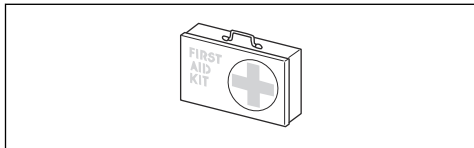


- На время работы надевайте устойчивую обувь с нескользящей подошвой.



- Надевайте одежду из прочного материала. Всегда надевайте длинные прочные брюки и верхнюю одежду с длинными рукавами. Не надевайте свободную одежду, которая может зацепиться за ветви или кустарник. Не надевайте ювелирные украшения, шорты, сандалии и не работайте босиком. Соберите волосы выше уровня плеч.

- Средства оказания первой помощи всегда должны быть под рукой.



Инструкции по технике безопасности во время технического обслуживания



ПРЕДУПРЕЖДЕНИЕ: Прежде чем приступать к эксплуатации изделия, в обязательном порядке прочитайте

следующие инструкции по технике безопасности.

Перед началом эксплуатации изделия проведите его общий осмотр. См. график техобслуживания.

Выполняйте процедуры по уходу и обслуживанию в соответствии с указаниями в данном руководстве. Определенные работы по ремонту и обслуживанию должны выполняться обученными и квалифицированными специалистами. См. инструкции в разделе "Техническое обслуживание".

Перед началом работы убедитесь в том, что сетчатый фильтр воздухозаборника не заблокирован посторонними предметами.

Во избежание повреждений при падении изделия разборка и сборка должны проводиться на уровне земли.

Эксплуатация

Эксплуатация оборудования

Примечание: Используйте изделие только в надлежащее время — не работайте рано утром и поздно вечером, чтобы не мешать окружающим. Уменьшите уровень шума, ограничив количество используемых одновременно единиц оборудования. Прочитайте простые инструкции и следуйте им, чтобы как можно меньше тревожить окружающих.

1. Для отделения застрявшего мусора от земли используйте грабли или метлу.
2. Очистку углов нужно начинать изнутри и двигаться наружу. Тем самым предотвращается скапливание мусора, который может попасть вам в лицо.
3. Используйте воздуходувку на минимальной мощности/скорости. Потребность в использовании изделия на полной мощности/ скорости возникает редко, и многие рабочие процедуры могут выполняться при половине мощности/ скорости. Более низкая мощность/ скорость сокращает уровень шума и количество пыли, а также обеспечивает больший контроль при сборе/перемещении мусора.
4. Уменьшите продолжительность продувки путем легкого увлажнения запыленных областей или использования распылителей.

5. Снизьте потребление воды путем использования воздуходувок вместо шлангов на газонах и в садах, например для сеток, фильтров, решеток, террас и т. п.
6. Соблюдайте осторожность при работе рядом с растениями. Воздушный поток может повредить хрупкие растения.
7. Скорость воздушного потока регулируется с помощью рычага дросселя/переключателя. Выбирайте скорость, наиболее подходящую для выполняемых задач.
8. Следите за направлением ветра. Работайте по направлению ветра для упрощения работы.
9. Использование воздуходувки для перемещения больших скоплений листьев требует много времени и создает нежелательный шум.
10. Сохраняйте равновесие и устойчивость положения.
11. Поддерживайте достаточное расстояние между трубой и землей во избежание контакта с землей при работе изделия.
12. После использования изделия выполните уборку. Следите за тем, чтобы в ходе работы мусор/ листья не попали на чужой участок. Утилизируйте мусор в контейнеры.
13. По завершении работы изделие следует хранить горизонтально.

Техническое обслуживание

Введение

Ниже приведены некоторые общие инструкции по техническому обслуживанию. Для получения дополнительной информации обратитесь в сервисную мастерскую.

Ежедневное обслуживание оборудования



ПРЕДУПРЕЖДЕНИЕ: Всегда останавливайте (электро-)двигатель, прежде чем приступить к техническому обслуживанию оборудования. Если изделие работает на бензине, отсоедините кабель зажигания от свечи зажигания. Если изделие работает от аккумулятора, извлеките аккумулятор.



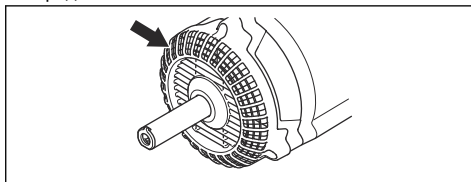
ПРЕДУПРЕЖДЕНИЕ: Держите все части тела на безопасном расстоянии от нагретых поверхностей изделия.

1. Очистите наружную поверхность воздуховода.
2. Убедитесь в отсутствии трещин на корпусах.
3. Убедитесь, что изделие находится в надлежащем рабочем состоянии.

4. Проверьте затяжку всех гаек и винтов.
5. Очистите наклейки влажной ветошью с мягким моющим средством.

Проверка фильтра в воздуховоде

1. Убедитесь в том, что воздуховод не заблокирован, например, листьями или мусором. Засорение воздуховода приведет к снижению производительности изделия и повышению рабочей температуры (электро-)двигателя, что может стать причиной поломки. Остановите (электро-)двигатель и извлеките посторонние предметы.



Транспортировка, хранение и утилизация

Транспортировка и хранение

После каждого использования необходимо выполнить следующие действия:

- Дайте насадке остыть перед помещением ее на хранение или транспортировкой.
- Храните устройство в помещении, в сухом, прохладном, высоко расположенном месте, недоступном для детей.

Сезонное хранение

Подготовьте оборудование к хранению в конце сезона или в том случае, если оно не будет использоваться в течение 30 или более дней. Если предполагается хранить насадку-воздуховодку в течение длительного промежутка времени, выполните следующее:

- Почистите устройство.
- Проверьте насадку на наличие изношенных или неисправных деталей. Затяните все слабо затянутые винты.
- Замените все поврежденные, сломанные или изношенные детали.
- Начиная следующий сезон, используйте только свежее топливо с нужной пропорцией бензин:масло.

Утилизация

- Соблюдайте местное законодательство и действующие нормы в области переработки.
- Если изделие больше не эксплуатируется, отправьте его дилеру Husqvarna или утилизируйте в пункте переработки.

Технические данные

Технические данные бензиновых изделий

BA101	
Вес	
Вес, кг	1,9
Излучение шума	
Уровень мощности звука, измеренный, дБ(A)	111
Уровень мощности звука, гарантированный, L _{WA} , дБ(A)	114

BA101	
Уровни шума ¹²⁷	
Эквивалентный уровень звукового давления, воздействующего на органы слуха оператора, измеренный согласно EN15503, дБ(А)	99
Уровни вибрации ¹²⁸	
Эквивалентные уровни вибрации ($a_{hv,eq}$) на рукоятках, измеренные согласно EN 15503, м/с ²	
Передняя / задняя рукоятка:	5,6 / 8,3
Производительность вентилятора ¹²⁹	
Макс. скорость воздушного потока со стандартной насадкой, м/с:	46
Воздушный поток со стандартной насадкой, м ³ /мин	14

Технические данные аккумуляторных изделий

325iLK + Blower attachment BA101	
Вес	
Вес, кг	2,3+1,9
Излучение шума ¹³⁰	
Уровень мощности звука, измеренный, дБ(А)	103
Уровень мощности звука, гарантированный, L_{WA} , дБ(А)	106
Уровни шума ¹³¹	
Уровень звукового давления, воздействующего на органы слуха оператора, измеренный согласно ISO 26868, дБ(А)	
С одобренным дополнительным оборудованием (оригинальным), дБ(А)	93
Уровни вибрации ¹³²	

¹²⁷ Величина эквивалентного уровня звукового давления рассчитывается в ходе рабочего цикла, 1/7 часть которого — холостой ход, а 6/7 — рабочее состояние. Указанные данные об эквивалентном уровне шумового давления для изделия имеют типичный статистический разброс (стандартное отклонение) 1 дБ(А).

¹²⁸ Величина эквивалентного уровня вибрации рассчитывается в ходе рабочего цикла, 1/7 часть которого — холостой ход, а 6/7 — рабочее состояние. Указанные данные об эквивалентном уровне вибрации имеют типичный статистический разброс (стандартное отклонение) 1 м/с².

¹²⁹ Вместе с двигателем 525LK/GC2225C.

¹³⁰ Излучение шума в окружающую среду измеряется как мощность звука (L_{WA}) согласно директиве ЕС 2000/14/ЕС. Указанный уровень мощности звука для изделия измерен с оригинальным режущим оборудованием, создающим самый высокий уровень шума. Разница между гарантированной и измеренной мощностью звука заключается в том, что гарантированная мощность звука включает результаты измерений как диапазон и их отклонение для изделий одной и той же модели согласно директиве 2000/14/ЕС.

¹³¹ Указанные данные об уровне звукового давления изделия имеют типичный статистический разброс (стандартное отклонение) 3 дБ(А) и были измерены с оригинальным оборудованием, дающим самый высокий уровень шума. Измерено вместе с электродвигателем 325iLK.

¹³² Указанные данные об уровне вибрации имеют типичный статистический разброс (стандартное отклонение) 2 м/с². Для сравнения уровней вибрации изделий с аккумулятором и ДВС используйте калькулятор вибрации. Доступен по ссылке: <https://www.husqvarna.com/uk/services-solutions/vibration-calculator/>. Измерено вместе с электродвигателем 325iLK.

325iLK + Blower attachment BA101	
Уровни вибрации на рукоятках, измеренные согласно EN 62841-1, м/с ²	
С одобренным дополнительным оборудованием (оригинальным), слева / справа, м/с	1,6 / 1,1
Производительность вентилятора ¹³³	
Воздушный поток в нормальном режиме со стандартной насадкой, м ³ /мин	14
Максимальная скорость воздушного потока в нормальном режиме со стандартной насадкой, м/с:	45

¹³³ Измерено вместе с электродвигателем 325iLK.

Декларация о соответствии

Декларация соответствия ЕС

Мы, компания **Husqvarna AB**, SE-561 82
Husqvarna, Швеция, тел.: +46-36-146500, с полной
ответственностью заявляем, что изделие:

Описание	Насадка-воздуходув
Марка	Husqvarna
Тип / Модель	BA101
Идентификация	Серийные номера начиная с 2022 года и далее

полностью соответствует следующим директивам и
нормативам ЕС:

Норматив	Описание
2006/42/ЕС	"О механическом оборудовании"
2000/14/ЕС	"Об излучении шума в окружающую среду"
2011/65/EU	"Об ограничении использования определенных опасных веществ в электрическом и электронном оборудовании"

а также требованиям следующих стандартов и/или
технических регламентов: EN 15503:2009+A2:2015,
EN ISO 12100:2021, EN IEC 63000:2018.

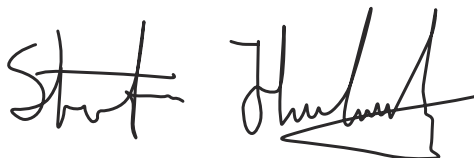
Организация SMP Svensk Maskinprovning AB,
Box 4053, SE-904 03 Umeå, Sweden провела
добровольную типовую проверку в соответствии с
приложением IX Директивы 2006/42/ЕС.

Номер сертификата: SEC/15/2416 – Husqvarna
BA101.

Информацию по излучению шума см. в разделе
Технические данные на стр. 186.

Husqvarna, 2022-05-09

141400, Московская обл., Г. Химки, ул. Ленинградская,
владение 39, строение 6, здание II этаж 4,
помещение OB02_04,
телефон горячей линии 8-800-200-1689



Стефан Холмберг (Stefan Holmberg), директор
отдела разработок, управление технологиями,
Husqvarna AB

Ответственный за техническую документацию



Декларация соответствия ЕС

Мы, компания **Husqvarna AB**, SE-561 82 Huskvarna, Швеция, тел.: +46-36-146500, с полной ответственностью заявляем, что изделие:

Описание	Насадка-воздуходув с силовым блоком Husqvarna 325iLK
Марка	Husqvarna
Тип / Модель	BA101
Идентификация	Серийные номера начиная с 2022 года и далее

полностью соответствует следующим директивам и нормативам ЕС:

Норматив	Описание
2006/42/EC	"О механическом оборудовании"
2000/14/EC	"Об излучении шума в окружающую среду"
2011/65/EU	"Об ограничении использования определенных опасных веществ в электрическом и электронном оборудовании"

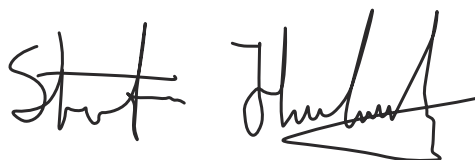
а также требованиям следующих стандартов и/или технических регламентов: IEC 62841-4-6, EN ISO 12100:2021, EN IEC 63000:2018.

Организация SMP Svensk Maskinprovning AB, Vox 4053, SE-904 03 Umeå, Sweden провела добровольную типовую проверку в соответствии с приложением IX Директивы 2006/42/EC. Номер сертификата: SEC/15/2416 – Husqvarna BA101.

SMP Svensk Maskinprovning AB, также заверила соответствие приложению V Директивы совета 2000/14/EG. Номер сертификата: 01/012/014.

Информацию по излучению шума см. в разделе *Декларация о соответствии на стр. 189.*

Husqvarna, 2022-05-09



Стефан Холмберг (Stefan Holmberg), директор отдела разработок, управление технологиями, Husqvarna AB

Ответственный за техническую документацию



141400, Московская обл., Г. Химки, ул. Ленинградская, владение 39, строение 6, здание II этаж 4, помещение OB02_04, телефон горячей линии 8-800-200-1689

Obsah

Úvod.....	191	Preprava, skladovanie a likvidácia.....	196
Bezpečnosť.....	192	Technické údaje.....	197
Prevádzka.....	195	Vyhlásenie o zhode.....	199
Údržba.....	196		

Úvod

Popis výrobku

Neustále ďalej vyvíjame svoje výrobky, a preto si vyhradzuje právo upravovať dizajn a vzhľad výrobkov bez toho, aby sme o tom vopred informovali.

Poznámka: Tento návod popisuje jednotky poháňané benzínom alebo batériou.

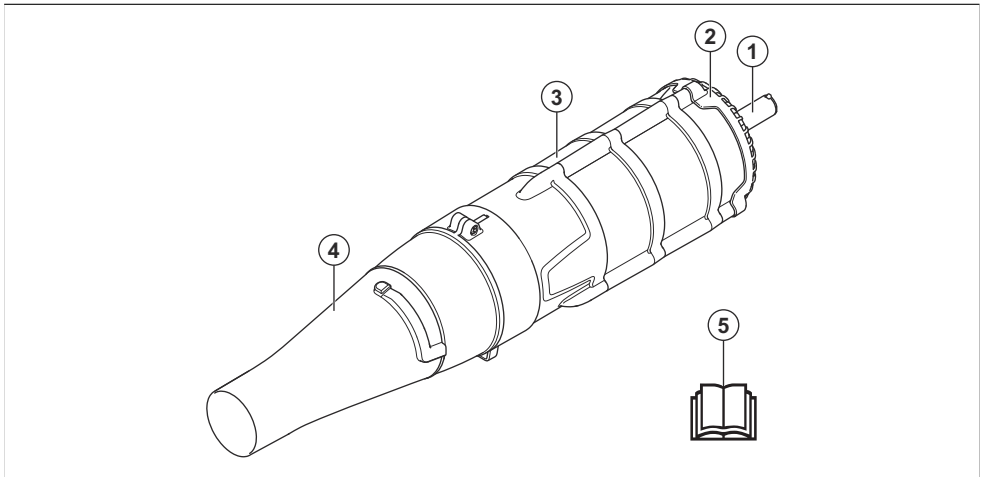
Plánované použitie



VÝSTRAHA: Tento nadstavec sa smie používať iba spolu s na to určenou pohonnou jednotkou. Pozrite si kapitolu o príslušenstve v návode na obsluhu pohonnej jednotky.

Tento nadstavec je určený výlučne na fúkanie trávnikov, chodníkov, asfaltových ciest a podobne.

Prehľad informácií o rezacom nástroji



1. Hriadeľ
2. Mriežka nasávania vzduchu
3. Kryt ventilátora
4. Vzduchová dýza
5. Návod na obsluhu



Skôr než začnete nadstavec používať, pozorne si prečítajte návod na obsluhu, aby ste porozumeli pokynom.



Symboły na nadstavci a na pohonnej jednotke



Neopatrné alebo nesprávne používanie tohto nadstavca môže spôsobiť vážne až smrteľné zranenie obsluhu a iným osobám.



Tento nadstavec je v súlade s príslušnými smernicami EÚ.



Používajte schválené chrániče sluchu, chrániče očí a ochranu dýchania.



Používajte schválené ochranné rukavice.



Označenie týkajúce sa emisie hluku do okolia podľa smerníc a nariadení EÚ a UK a legislatívy v štáte New South Wales „Protection of the Environment Operations (Noise Control) Regulation 2017“ (Nariadenie o ochrane životného prostredia pri prevádzke (kontrola hluku) z roku 2017). Zaručená hladina akustického výkonu výrobku je uvedená

v dokumente *Technické údaje na strane 197* a na štítku.



Obsluha fúkača musí zabezpečiť, aby sa k stroju nepriblížili žiadne osoby ani zvieratá na vzdialenosť menej ako 15 metrov. Ak v rovnakom priestore pracuje viacero obsluhujúcich pracovníkov, bezpečná vzdialenosť medzi nimi musí byť minimálne 15 metrov. Fúkač môže odhodiť predmety, ktoré môžu odskočiť späť. Ak sa nepoužíva odporúčané bezpečnostné vybavenie, môže to spôsobiť vážne poranenia očí.

Poznámka: Ostatné symboly/štítky na rezacom nástroji obsahujú údaje v súlade so zvláštnymi požiadavkami certifikácie pre určité trhy.

Bezpečnosť

Bezpečnostné definície

Výstrahy, upozornenia a poznámky slúžia na zdôraznenie mimoriadne dôležitých častí návodu na obsluhu.



VÝSTRAHA: Používa sa, ak pre obsluhu alebo osoby v okolí existuje nebezpečenstvo poranenia alebo smrti v prípade nedodržania pokynov v návode.



VAROVANIE: Používa sa, ak hrozí nebezpečenstvo poškodenia produktu alebo nadstavca, iných materiálov alebo okolitej oblasti v prípade nedodržania pokynov v návode.

Poznámka: Používa sa na poskytnutie informácií nad rámec nevyhnutných informácií v danej situácii.

Bezpečnostné upozornenia týkajúce sa záhradného fúkača, záhradného vysávača a záhradného fúkača/vysávača

- **Pred použitím skontrolujte, či napájací kábel a predízovacie kábel nie sú poškodené alebo opotrebované.** Nedotýkajte sa kábla pred tým, než ho odpojíte od zdroja napájania. Ak je kábel poškodený alebo opotrebovaný, stroj nepoužívajte. Poškodený napájací kábel môže spôsobiť úraz elektrickým prúdom, požiar a/alebo vážne zranenie.

- **Zariadenie nepoužívajte počas nepriaznivých poveternostných podmienok, najmä ak hrozí riziko bleskov.** Zníži sa tým riziko zasiahnutia bleskom.
- **Noste ochranu očí a sluchu.** Používaním náležitých ochranných prostriedkov sa zníži riziko zranenia.
- **Počas používania stroja vždy noste protišmykovú a ochrannú obuv. Ak ste bosí alebo máte obuté otvorené sandále, toto zariadenie nepoužívajte.** Znižuje sa tým riziko poranenia chodidla.
- **Nenoste voľné oblečenie alebo predmety, ako sú šatky, šnúrky, reťazky, kravaty atď., ktoré by sa mohli dostať do otvorov vzduchu. Dlhé vlasy si zviažte alebo zakryte, aby sa nedostali do otvorov vzduchu.** Ak sa niektorý z týchto predmetov dostane do otvorov vzduchu, môže to zvýšiť riziko poranenia.
- **Počas používania zariadenia nedovoľte okolostojacim približovať sa.** Odfúknuté úlomky môžu zvýšiť riziko poranenia.
- **Nikdy nemierte dýzu fúkača smerom k osobám, domácim zvieratám alebo smerom k oknám. Pri odfukovaní úlomkov v blízkosti pevných objektov, ako sú stromy, automobily a steny, od ktorých sa môžu odraziť, buďte mimoriadne opatrní.** Odfúknuté predmety môžu poškodiť majetok a zvýšiť riziko poranenia.
- **Stroj nepoužívajte na nič, čo horí alebo dymí, ako sú cigarety, zápalky alebo horúci popol.** Tieto zdroje zapálenia môžu zvýšiť riziko požiaru.
- **Nedotýkajte sa ventilátora, keď je v pohybe. Pred odstránením akejkoľvek časti, ktorá by mohla umožniť prístup k ventilátoru, vypnite stroj a počkajte, kým sa ventilátor zastaví.** Znižuje sa tým riziko poranenia pohybivými časťami.
- **Pri odstraňovaní zaseknutého materiálu alebo pri údržbe stroja sa uistite, že je vypínač vypnutý.** Neočakávané uvedenie zariadenia do činnosti

v priebehu odstraňovania zachyteného materiálu alebo vykonávania servisu môže spôsobiť vážne poranenie.

Všeobecné bezpečnostné pokyny



VÝSTRAHA: Skôr než budete nastavac používať, prečítajte si nasledujúce bezpečnostné pokyny.

- Pred používaním nastavca si pozorne prečítajte návod na obsluhu a uistite sa, že rozumiete uvedeným pokynom.
- Pre úplnosť informácií pre používateľa je potrebné tento návod na obsluhu prečítať spolu s návodom na obsluhu pohonnej jednotky.
- Za žiadnych okolností nemeňte pôvodnú konštrukciu nastavca bez schválenia od výrobcu. Nepoužívajte nastavac, ktorý sa zdá byť upravený, a vždy používajte originálne príslušenstvo. Nepovolené zmeny alebo príslušenstvo môžu viesť k vážnemu zraneniu alebo smrti operátora alebo ostatných osôb.

Bezpečnostné pokyny pre prevádzku



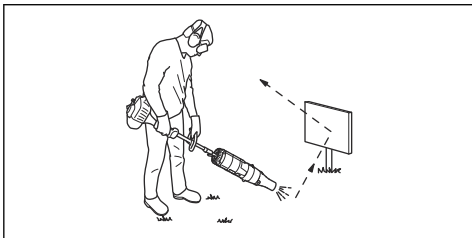
VÝSTRAHA: Skôr než budete výrobok používať, prečítajte si nasledujúce výstrahy.



VÝSTRAHA: Tento výrobok vytvára počas prevádzky elektromagnetické pole. Toto pole môže za určitých okolností spôsobovať rušenie aktívnych alebo pasívnych implantovaných zdravotníckych pomôcok. Zníženie rizika podmienok, ktoré môžu viesť k vážnemu alebo aj smrteľnému poraneniu, si vyžaduje, aby sa osoby s implantovanými pomôckami poradili so svojím lekárom a výrobcom pomôcky ešte pred použitím tohto výrobku.

- Nikdy nikomu nedovoľte, aby používal výrobok bez toho, že by ste sa najprv ubezpečili, že si prečítal a správne pochopil obsah návodu na obsluhu.
 - Nikdy nedemontujte mriežku nasávania vzduchu.
 - Keď je motor naštartovaný, nikdy sa nedotýkajte zapalovacej sviečky ani kábla zapalovania. Ak sa dotknete zapalovacej sviečky alebo zástrčky, môže to viesť k zásahu elektrickým prúdom.
 - Vždy kontaktujte miestne úrady a uistite sa, že dodržiavate príslušné smernice.
 - Všetky časti tela udržiavajte mimo horúcich plôch.
 - Ak sa vyskytne situácia, v ktorej si nebudete istí, ako postupovať, obráťte sa na odborníka. Kontaktujte predajcu alebo servisné stredisko. Nepoužívajte výrobok, ak to podľa vás presahuje vaše možnosti.
 - Pridržiavajte otvor fúkača čo najbližšie k zemi. Využite celú dĺžku fúkačej trubice, aby ste prúd vzduchu udržali blízko pri zemi.
 - Zariadenie používajte počas bežných pracovných hodín, aby ste sa vyhli rušeniu poriadku. Vyhybajte sa práci v skorých ranných hodinách alebo neskorých nočných hodinách.
 - Dávajte pozor na svoje okolie. Ak sa ktokoľvek priblíži k miestu, kde vykonávate prácu, uvoľnite plyn/páčku vypínača, kým dotyčná osoba nebude v bezpečnej vzdialenosti. Vždy smerujte fúkač od ľudí, zvierat, detských ihrísk, otvorených okien, áut, a pod. Sila vzduchu môže spôsobiť, že kamene, nečistoty alebo paličky môžu byť vyhodené alebo odrazené a poraniť ľudí alebo zvieratá, poškodiť sklo alebo spôsobiť iné škody.
 - Nikdy nevkladajte ruky ani iné predmety do krytu fúkača, aby sa predišlo vážnym zraneniam spôsobeným otáčajúcim sa obežným kolesom.
 - Vonkajší povrch udržiavajte čistý od oleja a paliva.
 - Nikdy nepoužívajte na rozprašovanie chemikálií, hnojiva ani iných látok a materiálov, ktoré môžu obsahovať toxické materiály.
 - Aby ste predišli šíreniu požiaru, zariadenie nepoužívajte v blízkosti horiaceho lístia alebo krovin, pri ohniskách, grilovacích ohniskách, popolníkoch a pod.
 - Nastavec nikdy nenamáčajte ani neoprskajte vodou ani žiadnou inou kvapalinou.
 - Stroj vždy držte oboma rukami. Stroj držte vedľa tela.
 - Ak máte benzínové zariadenie, pred doplnením paliva nechajte motor vychladnúť.
- Výrobok nikdy nepoužívajte v prípade, že ste unavený, chorý, konzumovali ste alkohol alebo užívate iné látky alebo liečivá, ktoré môžu ovplyvňovať váš zrak, úsudok alebo koordináciu.
 - Nikdy nepoužívajte poškodený výrobok.
 - Pred naštartovaním sa musia nasadiť všetky kryty a ochranné prvky. Ak máte benzínové zariadenie, skontrolujte, či nie sú uzáver zapalovacej sviečky a zapalovací vodič poškodené, aby ste predišli riziku elektrického šoku.
 - Obsluha fúkača musí zabezpečiť, aby sa k stroju nepriblížili žiadne osoby ani zvieratá na vzdialenosť menej ako 15 metrov. Ak v rovnakom priestore pracuje viacero obsluhujúcich pracovníkov, bezpečná vzdialenosť medzi nimi musí byť minimálne 15 metrov.
 - Nikdy nedovoľte, aby výrobok používali deti.

- Silné prúdy vzduchu môžu presúvať predmety takou rýchlosťou, že sa môžu odraziť späť a spôsobiť vážne poranenia očí.



- Pred montážou alebo demontážou príslušenstva alebo iných dielov vypnite motor.
- Zariadenie nepoužívajte počas nepriaznivých poveternostných podmienok, napríklad v hustej hmle, v silnom daždi, v silnom vetre, v silnom mraze atď. Prevádzka v zlom počasí je namáhavá a môže viesť k nebezpečným podmienkam, napr. šmyklavým povrchom.
- Skontrolujte, či sa môžete pohybovať a stáť bezpečne. Skontrolujte, či okolo vás nie sú prekážky (korene, skaly, vetvy, jamy a podobne) pre prípad, že by ste sa museli náhle pohnúť. Dávajte si pozor pri práci na svahu.



- Výrobok so spusteným motorom nikdy nepokladajte na zem, ak ho nemáte neustále pod dobrým dohľadom.
- Ak máte benzínové zariadenie, výfukové plyny motora obsahujú oxid uhoľnatý, ktorý môže spôsobiť otravu. Preto sa produkt nesmie štartovať v uzavretých miestnostiach, ani na miestach, kde nie je dostatočné vetranie.
- Fúkač sa nesmie používať z rebríka alebo lešenia a takisto ani vo výškach (ako napr. strecha). Takýto druh práce by mohol mať za následok vážne zranenie.



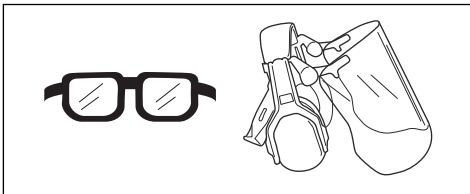
- Výrobok smiete používať len v prípade, že ste schopní privolať pomoc v prípade nehody.
- Nikdy nedávajte do otvoru na nasávanie vzduchu žiadny predmet, pretože by mohol obmedziť riadny prietok vzduchu a spôsobiť poškodenie zariadenia.
- Zabezpečte, aby produkt nenarazil do plota, stromu alebo iného tvrdého materiálu. Môže to spôsobiť poškodenie stroja a viesť k vážnemu zraneniu.
- Ak používate ochranu sluchu, dávajte pozor na varovné signály alebo výkriky. Ochranu sluchu si skladajte hneď, ako sa motor zastaví.

Osobné ochranné prostriedky

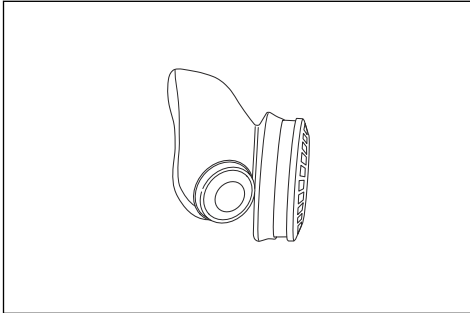


VÝSTRAHA: Skôr než budete výrobok používať, prečítajte si nasledujúce výstrahy.

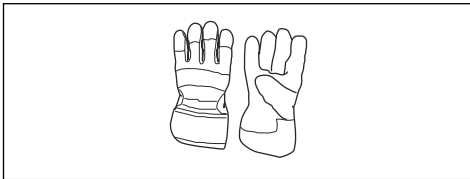
- Pri používaní produktu vždy používajte schválené osobné ochranné prostriedky. Osobné ochranné prostriedky nedokážu úplne vylúčiť riziko, ale môžu znížiť vážnosť zranenia v prípade nehody. Váš predajca vám pomôže pri výbere správnych prostriedkov.
- Používajte schválené chrániče sluchu, ktoré zaručujú primeranú redukciu hluku. Dlhodobé vystavenie hluku môže spôsobiť trvalé poškodenie sluchu.
- Používajte schválené chrániče očí. Ak používate štít, musíte tiež používať schválené ochranné okuliare. Schválené ochranné okuliare musia zodpovedať norme ANSI Z87.1 platnej v USA alebo norme EN 166 platnej v krajinách EÚ.



- V prašnom prostredí používajte ochranu dýchacích ciest.



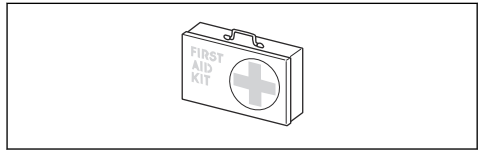
- Keď je to potrebné, používajte rukavice, napríklad pri montáži, kontrole alebo čistení zariadenia.



- Noste pevné protišmykové čizmy alebo topánky.



- Používajte odev vyrobený z pevnej tkaniny. Vždy noste pevné, dlhé nohavice a dlhé rukávy. Nepoužívajte voľný odev, ktorý sa môže zachytiť v konároch a vetvách. Nenoste šperky, krátke nohavice, sandále a nebuďte bosí. Vlasy si bezpečne uchyťte nad úrovňou ramien.
- Majte poruke pomôcky na poskytnutie prvej pomoci.



Bezpečnostné pokyny pre údržbu



VÝSTRAHA: Skôr než budete výrobok obsluhovať, prečítajte si nasledujúce výstrahy.

Pred použitím vykonajte celkovú kontrolu výrobku. Pozrite si plán údržby.

Dodržiavajte pokyny na vykonávanie údržby a servisu uvedené v tejto príručke. Určité opatrenia týkajúce sa servisu a údržby zariadenia musia vykonávať iba školení a kvalifikovaní odborníci. Pozrite si pokyny v časti Údržba.

Pred začatím práce vždy skontrolujte, či sa na mriežke nasávania vzduchu nenachádzajú žiadne predmety, ktoré by mohli blokovať prívod vzduchu.

Montáž a demontáž by sa mala vykonávať nízko nad zemou, aby nedošlo k poškodeniu stroja v dôsledku jeho pádu.

Prevádzka

Používanie nadstavca

Poznámka: Budte ohľaduplní k osobám žijúcim vo vašom okolí a nepoužívajte stroj v nevhodný čas, napríklad neskoro večer alebo skoro ráno. Znížte úroveň hluku obmedzením počtu súčasne používaných zariadení. Prečítajte si a dodržiavajte jednoduché pokyny tak, aby ste rušili vaše okolie čo najmenej.

1. Na uvoľnenie odpadu, ktorý je uviaznutý v zemi, použite hrable.
2. Kúty čistíte tak, že začnete v rohu, a postupujete smerom von. Predídete tak nahromadeniu odpadu, ktorý by vám mohol vletieť do tváre.

3. Používajte fúkač na čo najmenší plyn/rýchlosť. Málokedy je potrebné využívať plný plyn/rýchlosť a väčšina prác sa dá vykonávať na polovičný plyn/rýchlosť. Menší plyn/rýchlosť znamená menej hluku a menej prachu a taktiež sa ľahšie udržiava kontrola nad presúvaním/zbieraním odpadu.
4. Minimalizujte čas fúkania miernym zvlhčením prašných miest alebo použitím striekacieho zariadenia.
5. Spotrebu vody znížite tým, že použijete vzduchový kompresor miesto hadice s vodou. Aj s kompresorom môžete vykonávať rôzne záhradné práce – čistenie roštu, grilu, slnečníka, verandy atď.
6. Dávajte pozor pri práci okolo rastlín. Silný prúd vzduchu môže slabšie rastliny poškodiť.
7. Rýchlosť prúdu vzduchu sa reguluje pomocou plynu/páčky vypínača. Zvoľte rýchlosť, ktorá najviac vyhovuje danej úlohe.

8. Dávajte pozor na smer vetra. Prácu vykonáte ľahšie, ak budete pracovať v smere vetra.
9. Používanie fúkača na premiestnenie veľkých kôp zaberie veľa času a vytvára sa zbytočný hluk.
10. Udržiaвайте dobrú rovnováhu a pevný postoj.
11. Pri práci s výrobkom dodržiavajte odstup medzi trubicou a zemou, aby ste sa vyhli kontaktu so zemou.
12. Následne môžete začať s čistením. Uistite sa, že ste nenafúkali odpad do niečej záhrady. Nečistoty vyhodte do zbernej nádoby.
13. Po skončení práce skladujte výrobok v horizontálnej polohe.

Údržba

Úvod

V nasledujúcom texte sú uvedené niektoré všeobecné pokyny na údržbu. Ak potrebujete podrobnejšie informácie, kontaktujte vášho predajcu.

Denná údržba nadstavca



VÝSTRAHA: Pred čistením alebo údržbou nadstavca vždy vypnite motor. Ak máte benzínové zariadenie, odpojte kábel zapalovania od zapalovacej sviečky. Ak máte zariadenie na batériu, vyberte batériu.



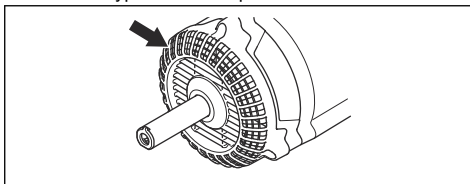
VÝSTRAHA: Všetky časti tela udržiavajte mimo horúcich plôch.

1. Očistíte vonkajší povrch fúkača.
2. Skontrolujte celý kryt, či nie je popraskaný.
3. Skontrolujte, či je výrobok v úplnom poriadku.

4. Skontrolujte, či sú všetky matice a skrutky dotiahnuté.
5. Štítky očistite vlhkou handričkou a jemným čistiacim prostriedkom.

Kontrola mriežky nasávania vzduchu

1. Na všetkých stranách vrátane spodnej strany skontrolujte, či nie je zablokovaný prívod vzduchu, napríklad listami alebo nečistotami. Upchatý prívod vzduchu znižuje fúkačnú kapacitu výrobku a zvyšuje pracovnú teplotu motora, čo môže spôsobiť zlyhanie motora. Vypnite motor a predmet odstráňte.



Preprava, skladovanie a likvidácia

Preprava a uskladnenie

Po každom použití vykonajte nasledujúce operácie:

- Pred odložením alebo prepravou nechajte nadstavec vychladnúť.
- Skladujte na vyvýšenom, chladnom a suchom mieste vo vnútri, mimo dosahu detí.

USKLDNENIE PO UKONČENÍ SEZONY

Po skončení sezóny alebo ak sa nadstavec nebude používať dlhšie ako 30 dní, pripravte ho na uskladnenie. Ak plánujete uskladniť nadstavec fúkača na dlhšie obdobie:

- Očistite zariadenie.

- Skontrolujte, či na nadstavci nie sú žiadne uvoľnené alebo poškodené diely. Pritiahnite všetky uvoľnené skrutky.
- Vymeňte všetky poškodené, opotrebované alebo zlomené diely.
- Na začiatku ďalšej sezóny použite výhradne nové palivo so správnym pomerom benzínu a oleja.

Likvidácia

- Dodržiavajte miestne požiadavky v oblasti recyklácie a platné predpisy.
- Keď už výrobok nepoužívate, pošlite ho predajcovi spoločnosti Husqvarna alebo ho zlikvidujte v recyklačnom zariadení.

Technické údaje

Technické údaje pre benzínové zariadenia

BA101	
Hmotnosť	
Hmotnosť, kg	1,9
Emisie hluku	
Nameraná hladina akustického výkonu, dB (A)	111
Zaručená úroveň hlučnosti L_{WA} dB(A)	114
Úrovně hlučnosti ¹³⁴	
Ekvivalentná hladina akustického tlaku pri uchu používateľa meraná podľa normy EN15503, dB(A)	99
Úrovně vibrácií ¹³⁵	
Ekvivalentné hladiny vibrácií ($a_{hv,eq}$) na rukovätiach merané podľa normy EN 15503, m/s^2	
Predné/zadné rukoväti:	5,6/8,3
Výkon ventilátora ¹³⁶	
Maximálna rýchlosť vzduchu so štandardnou dýzou, m/s:	46
Prietok vzduchu so štandardnou dýzou, $m^3/min.$	14

Technické údaje pre zariadenia na batériu

325iLK + Blower attachment BA101	
Hmotnosť	
Hmotnosť, kg	2,3 + 1,9
Emisie hluku ¹³⁷	
Nameraná hladina akustického výkonu, dB (A)	103
Zaručená úroveň hlučnosti L_{WA} dB(A)	106

¹³⁴ Ekvivalentná úroveň hladiny akustického tlaku je vypočítaná počas trvania pracovného cyklu rozdeleného v pomere 1/7 voľnobeh a 6/7 maximálne otáčky. Uvádzané údaje pre ekvivalentnú hladinu akustického tlaku majú typický štatistický rozptyl (štandardnú odchýlku) 1 dB (A).

¹³⁵ Ekvivalentná úroveň hodnoty vibrácií je vypočítaná počas trvania pracovného cyklu rozdeleného v pomere 1/7 voľnobeh a 6/7 maximálne otáčky. Uvádzané údaje pre ekvivalentnú hladinu vibrácií majú typický štatistický rozptyl (štandardnú odchýlku) 1 m/s^2 .

¹³⁶ Spolu s motorovou jednotkou 525LK/GC2225C.

¹³⁷ Hladina hluku meraná ako akustický tlak (L_{WA}) v súlade s európskou smernicou 2000/14/ES. Uvádzaná hladina akustického výkonu stroja bola meraná s originálnym rezacím nadstavcom, ktorý produkuje najvyššiu úroveň. Rozdiel medzi zaručeným a nameraným akustickým výkonom spočíva v tom, že zaručený akustický výkon zahŕňa aj rozptyl výsledkov merania a rozdiely medzi jednotlivými strojmi rovnakého modelu v súlade so smernicou 2000/14/ES.

325iLK + Blower attachment BA101	
Úroveň hlučnosti ¹³⁸	
Hladina akustického tlaku pri uchu používateľa meraná podľa normy ISO 26868 dB(A)	
Vybavené schváleným príslušenstvom (originálne), dB (A)	93
Úroveň vibrácií ¹³⁹	
Hladiny vibrácií na rukovätiach merané podľa normy EN 62841-1, m/s ²	
Vybavené schváleným príslušenstvom (originálne), vľavo/vpravo, m/s	1,6/1,1
Výkon ventilátora ¹⁴⁰	
Prúd vzduchu v normálnom režime so štandardnou dýzou, m ³ /min.	14
Maximálna rýchlosť vzduchu v normálnom režime so štandardnou dýzou, m/s:	45

¹³⁸ Uvádzané údaje pre hladinu akustického tlaku majú typický štatistický rozptyl (štandardnú odchýlku) 3 dB (A) a boli namerané s originálnym nastavcom, ktorý má najvyššiu úroveň. Merané spolu s jednotkou motora 325iLK.

¹³⁹ Uvádzané údaje pre ekvivalentný stupeň vibrácií majú typický štatistický rozptyl (štandardnú odchýlku) 2 m/s². Ak chcete porovnať úroveň vibrácií pre výrobky s batériou a so spaľovacím motorom, použite kalkulačor vibrácií. Viac informácií nájdete na webovej stránke <https://www.husqvarna.com/uk/services-solutions/vibrati-on-calculator/>. Merané spolu s jednotkou motora 325iLK.

¹⁴⁰ Merané spolu s jednotkou motora 325iLK.

Vyhlásenie o zhode

Vyhlásenie o zhode EÚ

My, spoločnosť **Husqvarna AB**, SE-561 82 Huskvarna, Švédsko, tel.: +46-36-146500, vyhlasujeme s plnou zodpovednosťou, že výrobok:

Popis	Nadstavec fúkača
Značka	Husqvarna
Typ/model	BA101
Identifikácia	Výrobné čísla od roku 2022 a novšie

plne spĺňa nasledujúce smernice a nariadenia EÚ:

Nariadenie	Popis
2006/42/ES	„o strojových zariadeniach“
2000/14/ES	„týkajúca sa emisie hluku v prostredí pochádzajúceho zo zariadení používaných vo voľnom priestranstve“
2011/65/EÚ	„o obmedzení používania určitých nebezpečných látok v elektrických a elektronických zariadeniach“

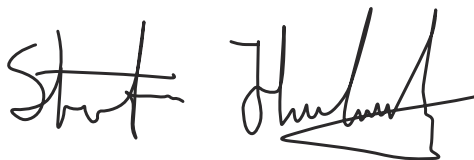
a že sa pri ňom uplatňujú nasledujúce normy a technické špecifikácie: EN 15503:2009+A2:2015, EN ISO 12100:2021, EN IEC 63000:2018.

Spoločnosť SMP Svensk Maskinprovning AB Box 4053, SE-904 03 Umeå, Sweden vykonala dobrovoľnú typovú skúšku v súlade s prílohou IX smernice 2006/42/ES.

Číslo certifikátu: SEC/15/2416 – Husqvarna BA101.

Informácie týkajúce sa emisií hluku nájdete v časti *Technické údaje na strane 197*.

Huskvarna, 2022-05-09



Stefan Holmberg, riaditeľ výskumu a vývoja, oddelenie riadenia technológií, Husqvarna AB

Zodpovedný za technickú dokumentáciu



Vyhľadanie o zhode EÚ

My, spoločnosť **Husqvarna AB**, SE-561 82 Huskvarna, Švédsko, tel.: +46-36-146500, vyhlasujeme s plnou zodpovednosťou, že výrobok:

Popis	Nadstavec fúkača s pohonnou jednotkou Husqvarna 325iLK
Značka	Husqvarna
Typ/model	BA101
Identifikácia	Výrobné čísla od roku 2022 a novšie

plne spĺňa nasledujúce smernice a nariadenia EÚ:

Nariadenie	Popis
2006/42/ES	„o strojových zariadeniach“
2000/14/ES	„týkajúca sa emisie hluku v prostredí pochádzajúceho zo zariadení používaných vo voľnom priestranstve“
2011/65/EÚ	„o obmedzení používania určitých nebezpečných látok v elektrických a elektronických zariadeniach“

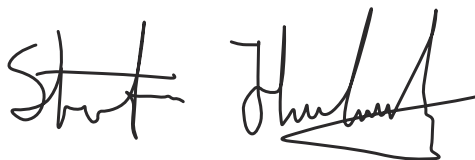
a že sa pri ňom uplatňujú nasledujúce normy a technické špecifikácie: IEC 62841-4-6, EN ISO 12100:2021, EN IEC 63000:2018.

Spoločnosť SMP Svensk Maskinprovning AB Box 4053, SE-904 03 Umeå, Sweden vykonala dobrovoľnú typovú skúšku v súlade s prílohou IX smernice 2006/42/ES. Číslo certifikátu: SEC/15/2416 – Husqvarna BA101.

Spoločnosť SMP Svensk Maskinprovning AB potvrdila aj súlad s dodatkom V smernice Rady 2000/14/ES. Číslo certifikátu: 01/012/014.

Informácie týkajúce sa emisii hluku nájdete v časti *Technické údaje na strane 197*.

Huskvarna, 2022-05-09



Stefan Holmberg, riaditeľ výskumu a vývoja, oddelenie riadenia technológií, Husqvarna AB

Zodpovedný za technickú dokumentáciu



VSEBINA

Uvod.....	201	Transport skladiščenje in odstranitev.....	206
Varnost.....	202	Tehnični podatki.....	206
Delovanje.....	205	Izjava o skladnosti.....	208
Vzdrževanje.....	205		

Uvod

Opis izdelka

Nenehno razvijamo in izpopolnjujemo svoje izdelke in si zato pridržujemo pravico do sprememb njihove oblike in videza brez predhodnega opozorila.

Opomba: Ta priročnik vsebuje navodila tako za električne naprave na bencin kot tudi za tiste na baterije.

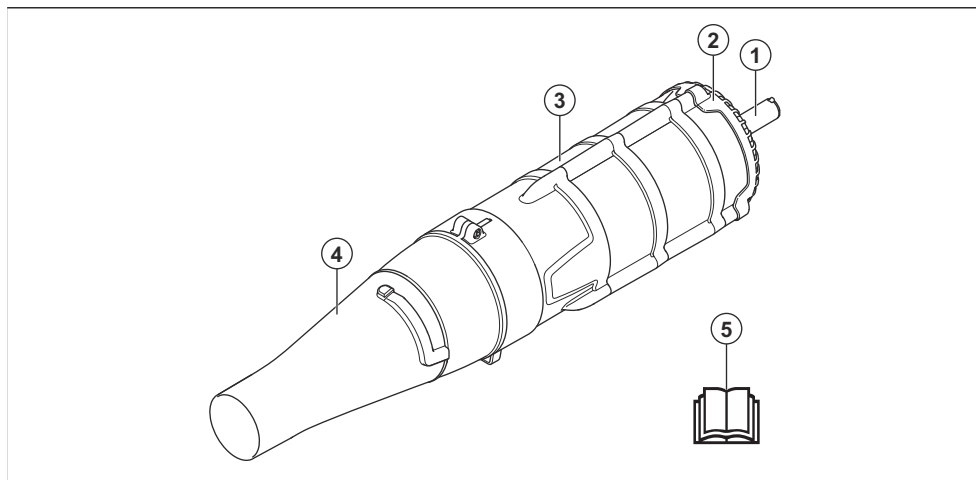
Namen uporabe



OPOZORILO: Ta priključek lahko uporabljate samo skupaj s predvideno pogonsko enoto. Glejte poglavje o dodatni opremi v navodilih za uporabo izdelka.

Priključek je primeren zgolj za pihanje trave, poti, asfaltnih cest in podobnih površin.

Pregled priključka



1. Gred
2. Rešetka dovoda zraka
3. Ohišje ventilatorja
4. Zračna šoba
5. Navodila za uporabo



Pred začetkom uporabe priključka natančno preberite navodila za uporabo in se prepričajte, da ste jih razumeli.



Simboli na priključku in na električni napravi



Površna in napačna uporaba tega priključka lahko povzroči hude telesne poškodbe in celo smrt uporabnika ali drugih oseb.



Priključek je v skladu z veljavnimi direktivami ES.



Uporabljajte odobreno zaščito za sluh in oči ter dihalno masko.



Uporabljajte odobrene zaščitne rokavice.



Emisija hrupa v okolje je skladna z direktivami in uredbami EU, ZK ter zakonodajo Novega južnega Walesa, in sicer z direktivo "Zaščita okolja pri delu (nadzor hrupa) iz 2017". Zajamčena raven zvočne moči izdelka, kot je določeno v

Tehnični podatki na strani 206 in na nalepki.



Uporabnik pihalnika mora poskrbeti, da v premeru 15 metrov ni ljudi ali živali. Če več uporabnikov dela na istem mestu, morajo upoštevati varnostno razdaljo vsaj 15 metrov. Pihalnik lahko izvrže predmete, ki se lahko odbijejo nazaj. Če ne uporabljate priporočene varnostne opreme, lahko pride do resnih poškodb oči.

Opomba: Ostali znaki in nalepke na priključku se nanašajo na specifične certifikacijske zahteve, ki veljajo na nekaterih tržiščih.

Varnost

Varnostne definicije

Opozorila, previdnostni ukrepi in opombe se uporabljajo za izpostavljanje zlasti pomembnih delov navodil za uporabo.



OPOZORILO: Se uporabi, če obstaja nevarnost poškodbe ali življenjske ogroženosti operaterja ali opazovalcev ob neupoštevanju navodil v tem priročniku.



POZOR: Se aktivira, če obstaja nevarnost poškodbe izdelka in/ali nastavka, drugih materialov ali okolice ob neupoštevanju navodil v tem priročniku.

Opomba: Se uporabi za podajanje podrobnejših informacij, potrebnih v dani situaciji.

Varnostna opozorila za vrtni pihalnik, vrtni sesalnik in vrtni pihalnik/sesalnik

- **Pred uporabo kosilnice se prepričajte, da napajalni kabel in morebitni podaljšek nista poškodovana ali obrabljena.** Kabela se ne dotikajte; dokler ni odklopljen iz električnega omrežja. Ne uporabljajte stroja, če je kabel poškodovan ali obrabljen. Poškodovan napajalni kabel lahko povzroči električni udar, požar in/ali hude telesne poškodbe.
- **Orodja ne uporabljajte v slabem vremenu, zlasti ko obstaja nevarnost bliskanja.** S tem zmanjšate nevarnost udara strele.
- **Uporabljajte zaščito za oči in sluh.** U ustrezno zaščitno opremo zmanjšate nevarnost telesnih poškodb.

- **Med uporabo stroja vedno nosite nedrsečo zaščitno obutev. Stroja ne uporabljajte bosi ali v sandalih.** Tako zmanjšate nevarnost poškodb stopal.
- **Ne nosite ohlapnih oblačil ali kosov, kot so šali, vrvice, veržice, kravate itd., ki jih lahko potegne v dovod zraka. Dolge lase spnite v čop ali jih pokrijte in tako poskrbite, da jih ne bo potegnilo v dovod zraka.** Če karkoli od tega potegne v dovod zraka, se lahko poveča nevarnost telesnih poškodb.
- **Poskrbite, da se mimoidoči ne približajo stroju med njegovo uporabo.** Zaradi izmeta delcev se lahko poveča nevarnost telesnih poškodb.
- **Šobe pihalnika nikoli ne usmerite proti ljudem, hišnim ljubljencem ali oknom. Posebej pozorni bodite med izpihovanjem delcev v bližini trdnih predmetov, kot so drevesa, avtomobili in stene, saj se lahko delci odbijejo od njih.** Zaradi izmeta delcev se lahko poveča nevarnost telesnih poškodb.
- **Stroja ne uporabljajte za izpihovanje gorečih predmetov ali predmetov, iz katerih se kadi, na primer cigaretnih ogorkov, vžigalic ali vročega pepela.** Ti viri vžiga lahko povečajo nevarnost požara.
- **Ne dotikajte se ventilatorja, ko se ta še premika. Izklopite stroj in počakajte, da se ventilator zaustavi, preden odstranite kateri koli del, ki bi vam lahko omogočil dostop do ventilatorja.** Tako zmanjšate tveganje telesnih poškodb zaradi gibljivih delov.
- **Pri odstranjevanju zagozdenega materiala ali servisiranju stroja mora biti stikalo za vklop/izklop v izklopljenem položaju.** Nepričakovani zagon stroja med odstranjevanjem zataknjenega materiala ali med servisiranjem lahko privede do resnih telesnih poškodb.

Splošna varnostna navodila



OPOZORILO: Preden začnete uporabljati pripomoček, preberite naslednja varnostna navodila.

- Pred začetkom uporabe priključka natančno preberite navodila za uporabo in se prepričajte, da ste jih razumeli.
- Za pridobitev popolnih uporabniških informacij, ta navodila za uporabo preberite skupaj z navodili za uporabo električne naprave.
- Brez predhodnega dovoljenja proizvajalca ni dovoljeno nikakršno spreminjanje prvotne zasnove priključka. Ne uporabljajte priključka, če opazite, da ga je spreminjal nekdo drug, in vedno uporabljajte originalno dodatno opremo. Spremembe brez pooblastila in/ali neoriginalni deli lahko povzročijo resne poškodbe ali smrt uporabnika in drugih.

Varnostna navodila za uporabo



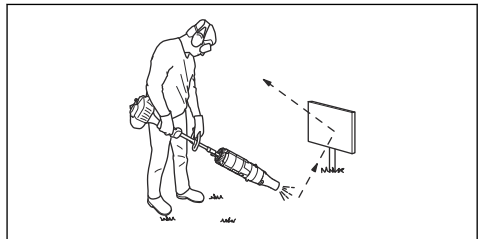
OPOZORILO: Pred uporabo izdelka preberite navodila v povezavi z opozorili v nadaljevanju.



OPOZORILO: Izdelek med delovanjem ustvarja elektromagnetno polje. To polje lahko v nekaterih pogojih interferira z aktivnimi ali pasivnimi medicinskimi vsadki. Da bi zmanjšali nevarnost ki bi lahko povzročila telesne poškodbe ali smrt, priporočamo, da se osebe z medicinskimi vsadki pred uporabo izdelka posvetujejo s svojim zdravnikom in proizvajalcem vsadka.

- Izdelek ne uporabljajte, če ste utrujeni, bolni, če ste pod vplivom alkohola ali jemljete zdravila, ki vplivajo na vid, presojo ali koordinacijo.
- Ne uporabljajte pokvarjenega izdelka.
- Pred zagonom morate namestiti vse pokrove in ščitnike. Če uporabljate bencinski izdelek, se za preprečevanje nevarnosti električnega udara prepričajte, da pokrovček svečke in vžigalni kabel nista poškodovana.
- Uporabnik pihalnika mora poskrbeti, da v premeru 15 metrov ni ljudi ali živali. Če več uporabnikov dela na istem mestu, morajo upoštevati varnostno razdaljo vsaj 15 metrov.
- Otrokom ne dovolite uporabe teh izdelka.
- Izdelek ne dovolite uporabljati nikomur, dokler se ne prepričate, da je prebral navodila za uporabo in jih razumel.
- Mrežice dovoda zraka nikoli ne odstranite.
- Ko motor deluje, se ne dotikajte svečke ali vžigalnega kabla. Če se dotaknete vžigalne svečke ali vtiča, lahko doživite električni udar.

- Vedno se obrnite na lokalne oblasti in se prepričajte, da delujete v skladu z veljavnimi direktivami.
- Delov telesa ne približujte vročim površinam.
- V primeru dvoma, ali je nadaljnja uporaba še primerna, se posvetujte s strokovnjakom. Obrnite se na svojega zastopnika ali servisno delavnico. Izogibajte se situacijam, ki se vam zdijo prezahtevne.
- Držite odprtno pihalnika čim bližje tlom. Uporabite celotno dolžino pihalne cevi, da ostane zračni tok v bližini tal.
- Stroj uporabljajte ob običajnih delovnih urah, da se izognete nepotrebnim motnjam. Izogibajte se delu zgodaj zjutraj ali pozno zvečer.
- Pazite na okolico. Če se kdor koli približa delovnemu območju, sprostite sprožilec plina, dokler oseba ni na varni razdalji. Pihalnik usmerite stran od ljudi, živali, igrišč, odprtih oken, avtomobilov itd. Sila zraka lahko povzroči izmet kamnov, umazanije ali palic ter njihov odboj, kar lahko povzroči poškodbe ljudi ali živali, lom stekla ali drugo materialno škodo.
- Z rokami ali drugimi predmeti nikoli ne segajte v ohišje pihalnika in se tako izognite resnim poškodbam zaradi vrtilnega vztrajnika.
- Na zunanji površini ne sme biti olja in goriva.
- Nikoli ne uporabljajte za pršenje kemikalij, gnojila ali drugih snovi, ki lahko vsebujejo strupene snovi.
- Stroja ne uporabljajte v bližini ognjišč, kaminov, pepelnikov, gorečega listja in dračja ipd., da ne razširite ognja.
- Priključka ne polivajte ali škropite z vodo ali katerokoli drugo tekočino.
- Stroj vedno držite z obema rokama. Stroj držite ob telesu.
- Če imate izdelek, ki deluje na bencin, pred dolivanjem goriva počakajte, da se motor ohladi.
- Močni zračni tokovi lahko premikajo predmete s tako hitrostjo, da se ti lahko odbijejo in povzročijo hude poškodbe oči.

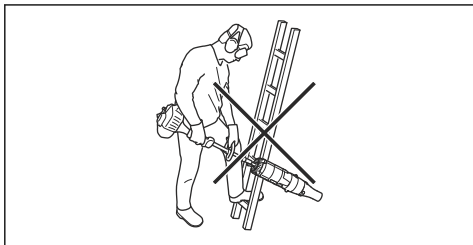


- Pred nameščanjem ali odstranjevanjem dodatne opreme ali drugih delov izklopite motor.
- Izdelek ne uporabljajte v slabem vremenu, na primer v megli ali dežju, v močnem vetru, hudem mrazu itd. Delo v slabem vremenu je naporno in nevarno, na primer zaradi spolzkih površin.
- Prepričajte se, da se lahko varno gibljete in stojite. Če se morate nepričakovano premakniti, preverite okolico za morebitne ovire (korenine, kamenje, veje,

jarke, itd.). Pri delu na nagnjenih tleh bodite še posebej previdni.



- Stroja/motorja nikoli ne odlagajte z delujočega, razen če ga nimate neprekinjeno pod strogim nadzorom.
- Pri uporabi bencinskih izdelkov ne pozabite, da vsebujejo izpušni plini motorja ogljikov monoksid, ki lahko povzroči zastrupitev. Zaradi tega enote ne zaganjajte v zaprtih prostorih ali na mestih s slabim prezračevanjem.
- Pihalnika ni dovoljeno uporabljati na lestvi ali zidarskem odru in na velikih višinah (npr. na strehi). To lahko povzroči hude telesne poškodbe.



- Nikoli ne uporabljajte izdelka, če v primeru nesreče ne morete priklicati pomoči.
- Nikoli ne vstavljajte predmetov v dovodno zračno odprtino, saj lahko to omeji pravičen pretok zraka in povzroči poškodbe enote.
- Izogibajte se trku stroja z ograjo, drevesom ali katerim drugim trdim predmetom. To lahko povzroči poškodbe stroja in hude poškodbe.
- Kadar uporabljate zaščito za sluh, bodite pozorni na svarilne znake in klice. Zaščito za sluh odstranite takoj, ko se motor zaustavi.

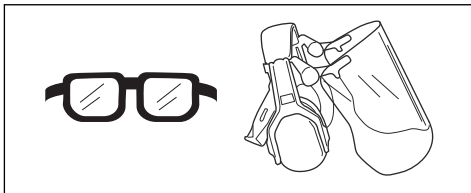
Osebnna zaščitna oprema



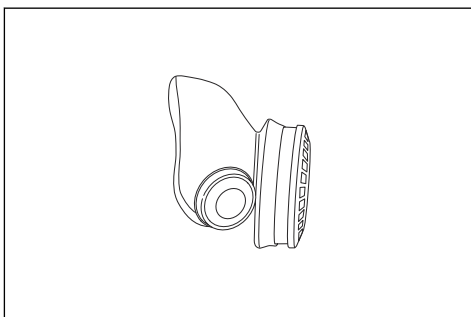
OPOZORILO: Pred uporabo izdelka preberite navodila v povezavi z opozorili v nadaljevanju.

- Pri uporabi izdelka vedno uporabljajte odobreno osebno zaščitno opremo. Osebna zaščitna oprema ne more popolnoma preprečiti poškodb, vendar v primeru nesreče omili posledice. Prodajalec naj vam pomaga izbrati ustrezno opremo.

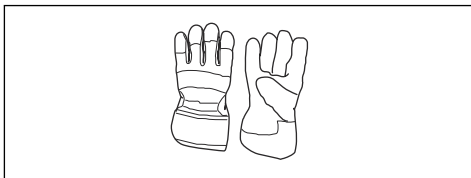
- Nosite homologirano zaščito za sluh, ki ustrezno zmanjšuje hrup. Dolgotrajna izpostavljenost hrupu lahko povzroči trajne okvare sluha.
- Uporabljajte odobreno zaščito oči. Tudi če uporabljate vizir, morate vedno uporabljati tudi homologirana zaščitna očala. Homologirana zaščitna očala morajo biti skladna s standardom ANSI Z87.1 za ZDA ali s standardom EN 166 za države EU.



- Če obstaja nevarnost prašenja, uporabljajte dihalno masko.



- Po potrebi uporabite rokavice, npr. kadar pritrjujete, pregledujete ali čistite opremo.



- Nosite vzdržljive škornje ali čevlje, ki ne drsijo.



- Uporabljajte oblačila iz trpežnih materialov. Vedno uporabljajte trpežne dolge hlače in dolge rokave. Ne uporabljajte ohlapnih oblačil, ki se lahko zataknejo za vejice ali veje. Ne nosite nakita, kratkih hlač in sandalov in ne hodite bos. Lase si varno spnite nad rameni.

- Paket prve pomoči hranite na dosegu roke.



Varnostna navodila za vzdrževanje



OPOZORILO: Pred uporabo izdelka preberite navodila v povezavi z opozorili v nadaljevanju.

Delovanje

Uporaba priključka

Opomba: Bodite uvidetni do ljudi v vaši okolici in ne uporabljajte naprave ob neprimernem času, na primer pozno zvečer ali zgodaj zjutraj. Zmanjšajte nivo hrupa tako, da omejite število enot opreme, ki se uporabljajo hkrati. Preberite in upoštevajte ta preprosta navodila, da boste čim manj motili okolico.

1. Če želite odstraniti smeti, ki se držijo tal, uporabite grablje ali metlo.
2. Očistite vogale, tako da začnete pri vogalih in se pomikate navzven. Tako preprečite nabiranje umazanije, ki bi vam jo lahko izvrglo v obraz.
3. Pihalnik uporabljajte pri najnižjem možnem plinu/hitrosti. Zelo redko boste morali uporabiti polni plin/hitrost in veliko del lahko opravite s polovičnim plinom/hitrostjo. Nižja moč plina/hitrost pomeni tudi manj hrupa in prahu, hkrati pa omogoča tudi enostavnejši nadzor nad zbranimi/premaknjenimi odpadki.
4. Zmanjšajte čas pihanja tako, da rahlo navlažite prašne dele ali uporabljate opremo za pršenje.

Pred uporabo v celoti preglejte izdelek. Oglejte si urnik vzdrževanja.

Sledite navodilom za vzdrževanje in servis v skladu z napotki v teh navodilih. Nekatere vrste vzdrževalnih del in popravil lahko opravi samo za to usposobljeno strokovno osebje. Glejte navodila v poglavju Vzdrževanje.

Pred začetkom dela preverite, ali je mrežica dovoda zraka zamašena.

Za preprečevanje poškodb zaradi padca izdelka, je treba razstavljanje in naknadno sestavljanje izvajati čim bližje tal.

5. Zmanjšajte porabo vode tako, da pri različnih načinih uporabe na travi ali vrtu, kot so rešetke, mreže, žari, verande itd. namesto cevi za vodo uporabljate pihalnike.
6. Pri delu v bližini rastlin bodite previdni. Sila zraka lahko poškoduje nežne rastline.
7. Hitrost zračnega toka se uravnava s plinom/ročico za plin. Izberite hitrost, ki je najbolj ustrezna za posamezno opravilo.
8. Pazite na smer vetra. Izdelek obrnite v smer vetra, saj bo delo tako lažje.
9. Premikanje velikih kupov s pihalnikom traja dolgo časa in ustvarja nepotreben hrup.
10. Imeti morate dobro ravnotežje in čvrsto stojišče.
11. Pri delu z izdelkom ohranjajte primerno varnostno razdaljo med cevjo in tlemi ter tako preprečujte stik.
12. Po koncu pospravite za seboj. Pazite, da smeti ne odpihnete sosedov vrt. Smeti odvrzite v ustrezne smetnjake.
13. Po končanem delu izdelek shranite v vodoravnem položaju.

Vzdrževanje

Uvod

V nadaljevanju je zapisanih nekaj splošnih navodil za vzdrževanje. Če potrebujete več informacij, se obrnite na svojo servisno delavnico.

Vsakodnevno vzdrževanje priključka



OPOZORILO: Pred čiščenjem ali vzdrževanjem priključka izklopite motor. Če izdelek uporabljate z bencinom, odklopite vžigalni kabel z vžigalne svečke. Če imate izdelek, ki deluje na baterije, jo odstranite.

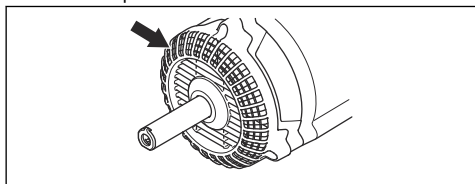


OPOZORILO: Delov telesa ne približujte vročim površinam.

1. Očistite zunanjo površino pihalnika.
2. Celotno ohišje mora biti popolnoma brez razpok.
3. Prepričajte se, da je izdelek v brezhibnem delovnem stanju.
4. Prepričajte se, da so vse matice in vsi vijaki dobro pritrjeni.
5. Nalepke očistite z vlažno krpo in blagim detergentom.

Preverjanje zaslona dovoda zraka

1. Poskrbite, da na primer listje ali smeti ne blokirajo dovoda zraka s katere koli strani, vključno s spodnjo. Zamašen dovod zraka zmanjšuje zmogljivost pihanja in poveča delovno temperaturo motorja, kar lahko privede do okvare motorja. Zaustavite motor in odstranite predmet.



Transport skladiščenje in odstranitvev

Prevoz in skladiščenje

Po vsaki uporabi izvedite naslednje korake:

- Omogoča hlajenje nastavka pred shranjevanjem ali transportom.
- Shranite na visokem mestu v hladnem in suhem zaprtem prostoru izven dosega otrok.

SEZONSKO SHRANJEVANJE

Prikluček pripravite za shranjevanje po koncu sezone ali ko ga ne boste uporabljali najmanj 30 dni. Če želite nastavek pihalnika shraniti določeno obdobje:

- Čiščenje enote.

- Preverite, ali so na nastavku sproščeni ali poškodovani deli. Zategnite vse odvite vijake.
- Zamenjajte vse poškodovane, obrabljene ali zlomljene dele.
- Pred začetkom naslednje sezone uporabite samo sveže gorivo s pravilno mešanico bencina in olja.

Odlaganje

- Spoštujte lokalne zahteve za recikliranje in veljavne predpise.
- Ko izdelka ne uporabljate več, ga pošljite k prodajalcu Husqvarna ali pa ga zavržite na mestu za recikliranje.

Tehnični podatki

Tehnični podatki za izdelke, ki delujejo na bencin

BA101	
Teža	
Teža, kg	1,9
Emisije hrupa	
Raven zvočne moči, izmerjena v dB (A)	111
Raven zvočne moči, zajamčena L _{WA} v dB(A)	114
Nivoji hrupa ¹⁴¹	
Ekvivalentna raven zvočnega tlaka pri uporabnikovem ušesu, merjeno po EN15503 dB(A)	99

¹⁴¹ Vrednost ekvivalentne ravni zvočnega tlaka se izračuna glede na delovni cikel, v katerem naprava 1/7 časa deluje v prostem teku, 6/7 pa v prestavi. Podatki za ekvivalentno stopnjo zvočnega tlaka za napravo imajo tipično statistično razpršitev (standardni odklon) v vrednosti 1 dB (A).

BA101	
Ravni vibracij ¹⁴²	
Ekvivalentne ravni vibracij ($a_{hv,eq}$) na ročajih, izmerjene po EN 15503, m/s ²	
Sprednji/zadnji ročaj:	5,6/8,3
Zmogljivost ventilatorja ¹⁴³	
Najvišja hitrost zraka pri serijski šobi v m/s:	46
Zračni pretok pri standardni šobi, m ³ /min	14

Tehnični podatki za izdelke, ki delujejo na baterijo

325iLK + Blower attachment BA101	
Teža	
Teža, kg	2,3 + 1,9
Emisije hrupa ¹⁴⁴	
Raven zvočne moči, izmerjena v dB (A)	103
Raven zvočne moči, zajamčena L_{WA} v dB(A)	106
Nivoji hrupa ¹⁴⁵	
Raven zvočnega tlaka na uporabnikovem ušesu, merjeno po ISO 26868, dB(A)	
Opremljeno z odobreno dodatno opremo (originalno), dB(A)	93
Ravni vibracij ¹⁴⁶	
Ravni vibracij pri ročajih, izmerjene v skladu s standardom EN 62841-1, m/s ²	
Opremljeno z odobreno dodatno opremo (originalno), levo/desno m/s	1,6/1,1
Zmogljivost ventilatorja ¹⁴⁷	
Pretok zraka v običajnem načinu s standardno šobo, m ³ /min	14
Najvišja hitrost zraka v običajnem načinu s standardno šobo, m/s:	45

¹⁴² Vrednost ekvivalentne ravni vibracij se izračuna glede na delovni cikel, v katerem naprava 1/7 časa deluje v prostem teku, 6/7 pa v prestavi. Zabeleženi podatki za ekvivalentno raven vibracij imajo tipično statistično razpršitev (standardni odklon) 1 m/s².

¹⁴³ Skupaj z motorno enoto 525LK/GC2225C.

¹⁴⁴ Emisije hrupa v okolje, merjene kot moč zvoka (L_{WA}), v skladu z direktivo ES 2000/14/ES. Navedena raven zvočne moči naprave je bila izmerjena z originalnim rezalnim priključkom, ki dosega najvišjo raven. Razlika med zajamčeno in izmerjeno ravnjo zvočne moči je, da zajamčena raven zvočne moči v skladu z Direktivo 2000/14/ES vključuje tudi razpršitev rezultata meritve in razlike med različnimi napravami istega modela.

¹⁴⁵ Podatki za raven zvočnega tlaka za napravo imajo tipično statistično razpršitev (standardni odklon) v vrednosti 3 dB (A) in so bili izmerjeni z originalnim nastavkom, ki dosega najvišjo raven hrupa. Izmerjeno z motorno enoto 325iLK.

¹⁴⁶ Zabeleženi podatki za raven vibracij imajo tipično statistično razpršitev (standardni odklon) 2 m/s². Za primerjavo ravni vibracij pri akumulatorskih izdelkih in izdelkih na različna goriva, uporabite računalnik za izračun vibracij. Glejte <https://www.husqvarna.com/uk/services-solutions/vibration-calculator/>. Izmerjeno z motorno enoto 325iLK.

¹⁴⁷ Izmerjeno z motorno enoto 325iLK.

Izjava o skladnosti

Izjava EU o skladnosti

Mi, **Husqvarna AB**, SE--561 82 Huskvarna, Švedska,
tel.: +46-36-146500, izjavljamo na lastno odgovornost,
da je izdelek:

Opis	Priključek za pihalnik
Znamka	Husqvarna
Vrsta/model	BA101
Identifikacija	Serijske številke od letnika 2022 dalje

v celoti skladen z naslednjimi direktivami in uredbami
EU:

Uredba	Opis
2006/42/ES	"o strojih"
2000/14/ES	"o emisijah hrupa v okolico"
2011/65/EU	"o omejevanju uporabe nekaterih nevarnih snovi v električni in elektronski opremi"

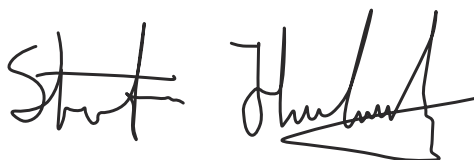
in so pri tem v veljavi naslednji standardi in/ali
tehnične specifikacije: EN 15503:2009+A2:2015, EN
ISO 12100:2021, EN IEC 63000:2018.

SMP Svensk Maskinprovning AB, Box 4053, SE-904 03
Umeå, Sweden je izvedla prostovoljni tipski pregled v
skladu s Prilogo IX k Direktivi 2006/42/ES.

Številka potrdila: SEC/15/2416 – Husqvarna BA101.

Za informacije o emisijah hrupa glejte poglavje *Tehnični
podatki na strani 206*.

Huskvarna, 2022-05-09



Stefan Holmberg, direktor oddelka za raziskave in
razvoj, tehnološko upravljanje, Husqvarna AB

Odgovorni za tehnično dokumentacijo



Izjava EU o skladnosti

Mi, **Husqvarna AB**, SE--561 82 Huskvarna, Švedska,
tel.: +46-36-146500, izjavljamo na lastno odgovornost,
da je izdelek:

Opis	Priključek pihalnika z napajalno enoto Husqvarna 325iLK
Znamka	Husqvarna
Vrsta/model	BA101
Identifikacija	Serijske številke od letnika 2022 dalje

v celoti skladen z naslednjimi direktivami in uredbami
EU:

Uredba	Opis
2006/42/ES	"o strojih"
2000/14/ES	"o emisijah hrupa v okolico"
2011/65/EU	"o omejevanju uporabe nekaterih nevarnih snovi v električni in elektronski opremi"

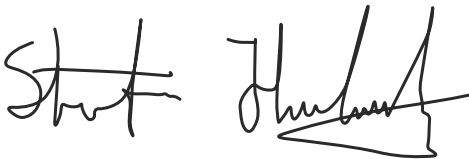
in so pri tem v veljavi naslednji standardi in/ali tehnične
specifikacije: IEC 62841-4-6, EN ISO 12100:2021, EN
IEC 63000:2018.

SMP Svensk Maskinprovning AB, Box 4053, SE-904
03 Umeå, Sweden je izvedla prostovoljni tipski pregled
v skladu s Prilogo IX k Direktivi 2006/42/ES. Številka
potrdila: SEC/15/2416 – Husqvarna BA101.

Družba SMP Svensk Maskinprovning AB je tudi preverila
skladnost z Dodatkom V Direktive sveta 2000/14/ES.
Številka potrdila: 01/012/014.

Za informacije o emisijah hrupa glejte poglavje *Tehnični
podatki na strani 206*.

Husqvarna, 2022-05-09



Stefan Holmberg, direktor oddelka za raziskave in
razvoj, tehnološko upravljanje, Husqvarna AB

Odgovorni za tehnično dokumentacijo



Innehåll

Introduktion.....	210	Transport, förvaring och kassering.....	215
Säkerhet.....	211	Tekniska data.....	215
Drift.....	214	Försäkran om överensstämmelse.....	217
Underhåll.....	214		

Introduktion

Produktbeskrivning

Vi arbetar ständigt med att vidareutveckla våra produkter och förbehåller oss därför rätten till ändringar beträffande bl.a. produkternas form och utseende utan föregående meddelande.

Notera: Den här bruksanvisningen omfattar både bensin- och batteridrivna kraftaggregat.

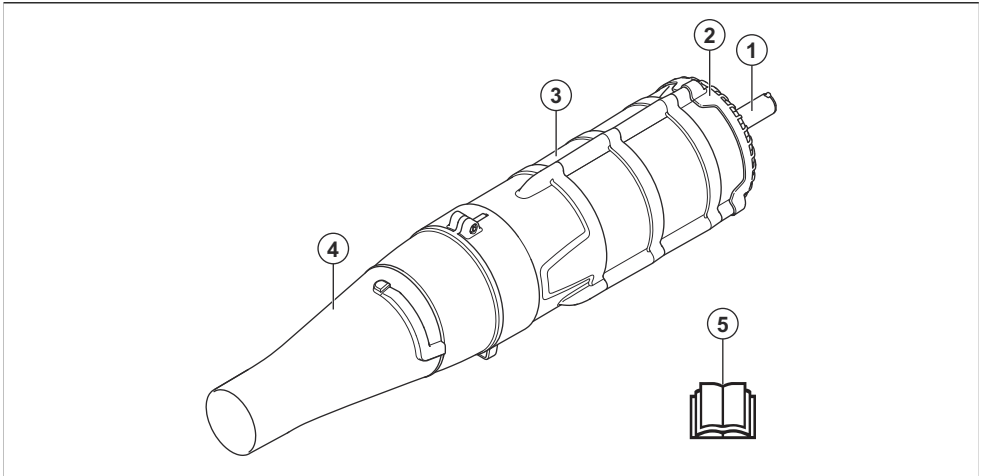
Avsedd användning



VARNING: Det här tillbehöret får endast användas tillsammans med avsett kraftaggregat. Se avsnittet om tillbehör i kraftaggregatets användarhandbok.

Tillbehöret är endast konstruerat för renblåsning av gräsmattor, gångar, asfaltvägar och liknande.

Tillbehörsöversikt



1. Riggör
2. Luftintagnät
3. Fläkthus
4. Luftmunstycke
5. Bruksanvisning

Symboler på utrustningen och på kraftaggregatet



Vårslös eller felaktig användning av tillbehöret kan resultera i allvariga eller livshotande skador på användaren eller andra.



Läs igenom bruksanvisningen noggrant och se till att du förstår instruktionerna innan du använder tillbehöret.



Utrustningen överensstämmer med gällande EG-direktiv.



Använd godkända hörsel-, ögon- och andningsskydd.



Använd godkända skyddshandskar.



Miljömärkning för bulleremission enligt direktiv och bestämmelser för EU och Storbritannien samt New South Wales-lagen "Protection of the Environment Operations (Noise Control) Regulation 2017". Produktens garanterade ljudeffektnivå anges i

Tekniska data på sida 215 och på etiketten.



Användaren ska se till att inga människor eller djur kommer närmare än 15 meter. Då flera användare arbetar på samma ställe ska säkerhetsavståndet vara minst 15 meter. Blåsaren kan våldsamt kasta iväg föremål som kan studsas tillbaka. Detta kan leda till allvarliga ögonskador om inte rekommenderad skyddsutrustning används.

Notera: Övriga symboler/dekaler på tillbehöret avser specifika krav för certifieringar på vissa marknader.

Säkerhet

Säkerhetsdefinitioner

Varningar, försiktighetsåtgärder och anmärkningar används för att betona speciellt viktiga delar i bruksanvisningen.



WARNING: Används om det finns risk för skador eller dödsfall för föraren eller kringstående om anvisningarna i bruksanvisningen inte följs.



OBSERVERA: Används om det finns risk för skada på produkten och/eller tillbehör, annat material eller det angränsande området om anvisningarna i bruksanvisningen inte följs.

Notera: Används för att ge mer information som är nödvändig i en viss situation.

Säkerhetsvarningar för trädgårdsblås, trädgårdssug samt trädgårdsblås/sug

- **Före användning: Kontrollera strömsladden och eventuella förlängningssladdar beträffande tecken på skador eller slitage.** Rör inte sladden innan du kopplar bort strömförsörjningen. Använd inte maskinen om sladden är skadad eller sliten. En skadad strömsladd kan orsaka elstötar, brand eller allvarliga skador.
- **Använd inte maskinen i dåligt väder, i synnerhet inte vid risk för blixtnedslag.** Det minskar risken att träffas av blixten.
- **Bär ögonskydd och hörselskydd.** Lämplig skyddsutrustning minskar risken för personskador.
- **Använd alltid halksäkra skyddsskor när du använder maskinen. Använd aldrig maskinen barfota eller med**

öppna sandaler. Detta minskar risken för skador på fötterna.

- **Använd inte löst sittande kläder eller till exempel halsdukar, snören, kedjor och band som kan dras in i luftintagen.** Sätt upp eller täck över långt hår för att se till att det inte dras in i luftintagen. Om något av det som nämns ovan dras in i luftintagen kan risken för personskador öka.
- **Håll kringstående personer på avstånd när du använder maskinen.** Skräp som slungas iväg kan öka risken för personskador.
- **Rikta aldrig lövblåsens munstycke mot människor, husdjur eller fönster.** Var extra försiktig när du blåser skräp nära fasta föremål, t.ex. träd, bilar och väggar, som kan göra att skräpet studsar tillbaka. Föremål som slungas iväg kan skada egendom och öka risken för personskador.
- **Använd inte maskinen för att blåsa på något som brinner eller ryker, såsom cigaretter, tändstickor eller het aska.** Dessa antändningskällor kan öka risken för brand.
- **Rör inte fläkten när den fortfarande är i rörelse. Stäng av maskinen och vänta tills fläkten stannar innan du tar bort någon del så att fläkten blottas.** Detta minskar risken för skador som orsakas av rörliga delar.
- **När du tar bort material som fastnat eller utför service på maskinen ska du se till att strömbytnaren är fränslagen.** Om maskinen startar när du tar bort material som har fastnat eller när du utför service kan du skada dig allvarligt.

Allmänna säkerhetsanvisningar



WARNING: Läs varningsinstruktionerna nedan innan du använder tillbehöret.

- Läs igenom bruksanvisningen noggrant och se till att du förstår instruktionerna innan du använder tillbehöret.
- Den här användarhandboken ska läsas tillsammans med användarhandboken för kraftaggregatet för fullständig användarinformation.
- Tillbehörets ursprungliga utformning får inte under några omständigheter ändras utan tillstånd från tillverkaren. Använd inte ett tillbehör som verkar ha blivit ändrat av någon annan och använd alltid originaltillbehör. Icke auktoriserade ändringar och/eller tillbehör kan medföra allvarliga skador eller dödsfall för föraren eller andra.

Säkerhetsinstruktioner för drift



VARNING: Läs varningsinstruktionerna nedan innan du använder produkten.

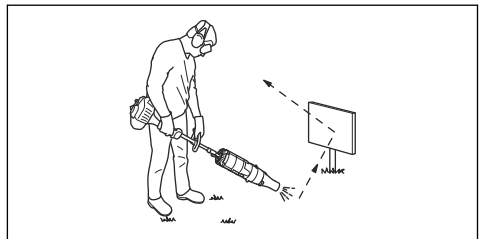


VARNING: Denna produkt alstrar ett elektromagnetiskt fält under drift. Detta fält kan under vissa omständigheter ge påverkan på aktiva eller passiva medicinska implantat. För att reducera risken för omständigheter som kan leda till allvarliga eller livshotande skador rekommenderar vi därför personer med implantat att rådgöra med läkare samt tillverkaren av det medicinska implantatet innan denna maskin används.

- Använd aldrig produkten om du är trött eller sjuk, om du har druckit alkohol, eller om du har tagit andra droger eller använder mediciner som kan påverka din syn, omdömesförmåga eller kropps kontroll.
- Använd aldrig en produkt som är defekt.
- Samtliga kåpor och skydd måste vara monterade före start. Om du har en bensindriven produkt bör du se till att tändhatten och tändkabeln är oskadade för att undvika risk för elektriska stötar.
- Användaren ska se till att inga människor eller djur kommer närmare än 15 meter. Då flera användare arbetar på samma ställe ska säkerhetsavståndet vara minst 15 meter.
- Tillåt aldrig barn att använda produkten.
- Låt aldrig någon annan använda produkten utan att försäkra dig om att de har läst igenom och förstått innehållet i bruksanvisningen.
- Ta aldrig av luftintagsnätet.
- Vidrör aldrig tändstiftet eller tändkabeln när motorn är igång. Om du vidrör tändstiftet eller stickproppen kan du få elektriska stötar.
- Ta alltid kontakt med de lokala myndigheterna för att kontrollera att gällande bestämmelser följs.
- Håll alla delar av kroppen borta från heta ytor.
- När du råkar ut för en situation som gör dig osäker angående fortsatt användning ska du rådfråga en expert. Kontakta din återförsäljare eller

serviceverkstad. Undvik all användning du anser dig otillräckligt kvalificerad för.

- Håll lövblåsens öppning så nära marken som möjligt. Använd hela blåsörets längd för att hålla luftflödet nära marken.
- Använd maskinen under normal arbetstid för att undvika onödiga störningar. Undvik att arbeta tidigt på morgonen eller sent på kvällen.
- Var medveten om din omgivning. Om någon närmar sig arbetsområdet ska du släppa gasreglaget tills personen befinner sig på säkert avstånd. Rikta lövblåsen bort från människor, djur, lekområden, öppna fönster, bilar osv. Luftströmmen är kraftig nog att slunga iväg stenar, smuts och kvistar som kan skada människor och djur, krossa glas eller orsaka andra skador.
- Stoppa aldrig in händerna eller andra föremål under höljat – det roterande fläkthjulet kan orsaka allvarliga skador.
- Håll maskinens utvändiga yta ren från olja och bränsle.
- Använd aldrig produkten för att sprida kemikalier, gödningsmedel eller andra substanser som kan innehålla giftiga ämnen.
- För att undvika eldspridning ska du inte använda produkten i närheten av löv- eller risbränder, eldstäder, utomhusgrillar, askfat osv.
- Spruta aldrig vatten eller någon annan vätska på tillbehöret.
- Håll alltid maskinen med båda händerna. Håll maskinen vid sidan av kroppen.
- Om du har en bensindriven produkt ska du låta motorn svalna innan du tankar.
- De kraftiga luftströmmarna kan förflytta föremål med sådan hastighet att de kan studs tillbaka och orsaka allvarliga ögonskador.

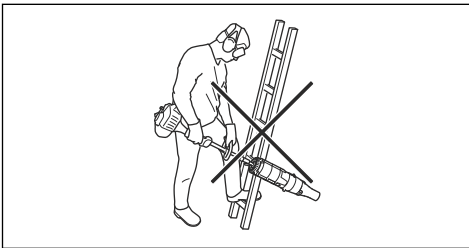


- Stanna motorn innan du monterar eller demonterar tillbehör eller andra delar.
- Undvik användning vid ogynnsamma väderleksförhållanden, exempelvis tät dimma, kraftigt regn, hård vind eller stark kyla. Att arbeta i dåligt väder är tröttsamt och kan innebära farliga omständigheter, exempelvis halt underlag.
- Se till att du kan gå och stå säkert. Titta efter eventuella hinder vid en oväntad förflyttning (rötter,

stenar, grenar, gropar, diken osv.). Var mycket försiktig vid arbete i sluttande terräng.



- Ställ aldrig ner produkten med motorn igång utan att du har uppsikt över den.
- Om du har en bensindriven produkt innehåller motorns avgaser kolmonoxid som kan orsaka kolmonoxidförgiftning. Av denna anledning får du inte starta eller köra produkten inomhus eller på dåligt ventilerade platser.
- Du får inte använda lövblåsen när du står på en stege, byggnadsställning eller annan hög plats (t.ex. tak). Sådant arbete kan leda till allvarliga personskador.



- Använd aldrig produkten utan möjlighet att kunna påkalla hjälp i händelse av olycka.
- Placera aldrig föremål i luftintaget, eftersom detta kan blockera luftflödet och skada utrustningen.
- Se till att produkten inte slår emot staket, träd eller andra hårda material. Det kan orsaka skador på maskinen och leda till allvarliga personskador.
- Var alltid uppmärksam på varningssignaler eller tillrop när hörselskydd används. Ta alltid av hörselskydden direkt när motorn har stannat.

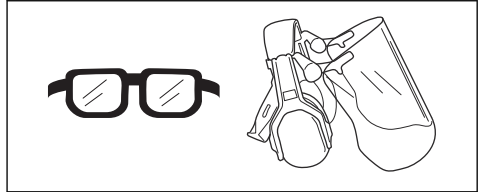
Personlig skyddsutrustning



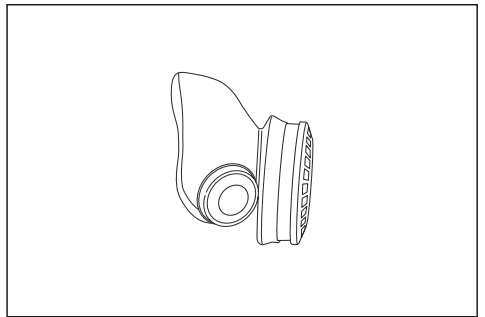
WARNING: Läs varningsinstruktionerna nedan innan du använder produkten.

- Använd alltid godkänd personlig skyddsutrustning när du använder produkten. Personlig skyddsutrustning kan inte eliminera skaderisken helt, men den reducerar effekten av en skada vid ett eventuellt olyckstillbud. Be din återförsäljare om hjälp med att välja rätt utrustning.

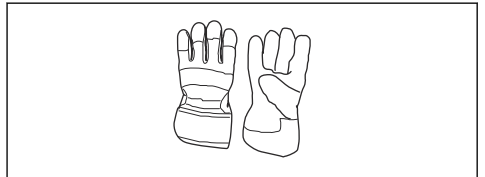
- Använd godkända hörselskydd med tillräcklig dämpande effekt. Långvarig exponering för buller kan ge bestående hörselskador.
- Använd godkänt ögonskydd. Används visir måste även godkända skyddsglasögon användas. Godkända skyddsglasögon måste uppfylla standarden ANSI Z87.1 i USA eller SS-EN 166 i EU-länder.



- Använd andningskydd när det finns risk för damm.



- Använd handskar vid behov, till exempel när du ansluter, undersöker eller rengör utrustningen.

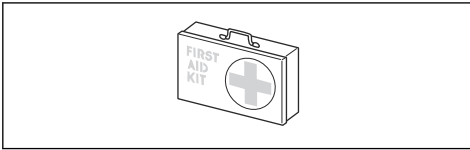


- Använd halkfria och stadiga stövlar eller skor.



- Ha på dig kläder i slitstarkt material. Bär alltid kraftiga långbyxor och överdel med långa armar. Använd inte löst sittande kläder som kan fastna i kvistar och grenar. Bär inte smycken, kortbyxor eller sandaler och gå inte barfota. Sätt upp håret ordentligt så att det inte hänger nedanför axlarna.

- Ha första förband nära till hands.



Säkerhetsinstruktioner för underhåll



VARNING: Läs varningsinstruktionerna nedan innan du använder produkten.

Gör en total kontroll av produkten före användning. Se underhållsschemat.

Följ underhålls- och serviceinstruktionerna i denna bruksanvisning. Vissa underhålls- och serviceåtgärder ska utföras av utbildade och kvalificerade specialister. Se anvisningar under rubriken Underhåll.

Kontrollera alltid att inga hindrande föremål finns i luftintagnsätet innan du börjar arbeta.

För att förhindra fallskador ska montering och demontering utföras nära marken.

Drift

Använda tillbehöret

Notera: Visa personer i din omgivning hänsyn genom att undvika att använda maskinen under olämpliga tidpunkter, exempelvis sent på kvällen eller tidigt på morgonen. Minska ljudnivåerna genom att begränsa det antal enheter av utrustningen som används samtidigt. Läs igenom och följ de enkla anvisningarna så att du stör din omgivning så lite som möjligt.

1. Använd en kratta eller en sopkvas för att lösgöra fastsittande skräp från marken.
2. Rengör hörn genom att börja längst in och arbeta utåt. På så sätt undviker du ansamling av skräp som kan flyga upp i ditt ansikte.
3. Använd blåsaren med lägsta möjliga gas/hastighet. Det är sällan nödvändigt att använda full gas/hastighet. Många arbetsmoment kan utföras med halv gas/hastighet. Lägre gas/hastighet innebär mindre buller och mindre damm, och det är lättare att ha kontroll över det skräp som samlas ihop/flyttas.
4. Minimera blåstiden genom att fukta dammiga områden lätt eller med hjälp av sprututrustning.

5. Minska vattenförbrukningen genom att använda blåsare istället för vattenslangar vid olika tillämpningsområden kring gräsmatta och trädgård, exempelvis för galler, skärmar, grillar eller verandor.
6. Var försiktig när du arbetar i närheten av växter. Luftströmmen kan skada ömtåliga blommor.
7. Luftstrålens hastighet regleras med hjälp av gasreglaget. Välj den hastighet som passar bäst för uppgiften.
8. Var medveten om vindriktningen. Arbeta i vindens riktning för att underlätta ditt arbete.
9. Det är tidsödande att använda blåsaren för att flytta stora högar, och det skapar onödigt buller.
10. Håll god balans och säkert fotfäste.
11. Se till att det finns tillräckligt med utrymme mellan röret och marken för att undvika markkontakt när du arbetar med produkten.
12. Städa upp efter dig. Försäkra dig om att du inte har blåst in skräp på någons tomt. Släng skräp i sopbehållare.
13. Efter avslutat arbete ska produkten förvaras liggande.

Underhåll

Introduktion

Nedan följer några allmänna underhållsinstruktioner. Kontakta en serviceverkstad om du behöver ytterligare information.

Dagligt underhåll av tillbehöret



VARNING: Stanna alltid motorn innan du rengör eller utför underhåll på tillbehöret. Om du har en bensindriven produkt ska du koppla bort tändkabeln från tändstiftet. Om du har en batteridriven produkt tar du bort batteriet.

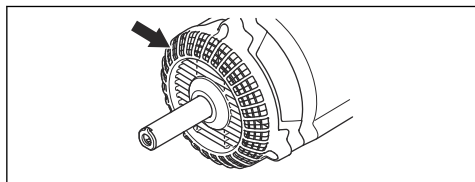


VARNING: Håll alla delar av kroppen borta från heta ytor.

1. Rengör blåsarens utsida.
2. Se till att hela höljet är fritt från sprickor.
3. Kontrollera produkten så att den är i fullgott skick.
4. Se till att alla skruvar och muttrar är åtdragna.
5. Rengör etiketterna med en fuktig trasa och ett mildt rengöringsmedel.

Kontrollera luftintagsnätet

1. Kontrollera att luftintaget inte är blockerat på någon sida inklusive undersidan, t.ex. av löv eller skräp. Ett igensatt luftintag minskar produktens blåskapacitet och ökar motorns arbetstemperatur, vilket kan medföra motorhaveri. Stanna motorn och avlägsna föremålet.



Transport, förvaring och kassering

Transport och förvaring

Utför följande efter varje användningstillfälle:

- Låt blåsaggregatet kallna före förvaring eller transport.
- Förvara högt upp på en sval och torr plats inomhus, utom räckhåll för barn.

FÖRVARING EFTER SÄSONGEN

Förbered blåsaggregatet för förvaring när säsongen är över eller om aggregatet inte ska användas på 30 dagar eller mer. Om aggregatet ska ställas undan för förvaring under en längre period:

- Rengör produkten.
- Inspektera aggregatet avseende lösa eller skadade delar. Dra åt lösa skruvar.
- Byt ut skadade eller slitna delar.
- När nästa säsong börjar, använd endast nytt bränsle med rätt bensin/oljeblandning.

Kassering

- Följ lokala återvinningsbestämmelser och tillämpliga förordningar.
- När produkten inte längre används ska du skicka den till en Husqvarna-återförsäljare eller lämna den till en återvinningsstation.

Tekniska data

Tekniska data för bensindrivna produkter

BA101	
Vikt	
Vikt, kg	1,9
Bulleremission	
Ljudeffektnivå, uppmätt dB(A)	111
Ljudeffektnivå, garanterad L _{WA} dB(A)	114
Ljudnivåer¹⁴⁸	
Ekvivalent ljudtrycksnivå vid användarens öra, mätt enligt EN 15503, dB(A)	99

¹⁴⁸ Ekvivalent ljudtrycksnivå beräknas med ett arbetsförlopp som varar 1/7 för tomgång och 6/7 för fullt varvtal. Rapporterade data för ekvivalent ljudtrycksnivå för maskinen har en typisk statistisk spridning (standardavvikelse) på 1 dB(A).

BA101	
Vibrationsnivåer ¹⁴⁹	
Vibrationsnivåer ($a_{hv,eq}$) i handtag, uppmätt enligt EN 15503, m/s^2	
Främre/bakre handtag:	5,6/8,3
Fläktprestanda ¹⁵⁰	
Maximal lufthastighet med standardmunstycke, m/s:	46
Luftflöde med standardmunstycke, m^3/min	14

Tekniska data för batteridrivna produkter

325iLK + Blower attachment BA101	
Vikt	
Vikt, kg	2,3+1,9
Bulleremission ¹⁵¹	
Ljudeffektnivå, uppmätt dB(A)	103
Ljudeffektnivå, garanterad L_{WA} dB(A)	106
Ljudnivåer ¹⁵²	
Ljudtrycksnivå vid användarens öra mätt enligt ISO 26868, dB(A):	
Utrustad med godkänt tillbehör (original), dB(A)	93
Vibrationsnivåer ¹⁵³	
Vibrationsnivåer i handtagen mätt enligt EN 62841-1, m/s^2	
Utrustad med godkänt tillbehör (original), vänster/höger, m/s	1,6/1,1
Fläktprestanda ¹⁵⁴	
Luftflöde i normalt läge med standardmunstycke, m^3/min	14
Maximal lufthastighet i normalt läge med standardmunstycke, m/s	45

¹⁴⁹ Det ekvivalenta värdet för vibrationsnivå beräknas med ett arbetsförlopp som varar 1/7 för tomgång och 6/7 för rus. Rapporterade data för ekvivalent vibrationsnivå har en typisk statistisk spridning (standardavvikelse) på 1 m/s^2 .

¹⁵⁰ Tillsammans med motorn 525LK/GC2225C.

¹⁵¹ Bulleremission till omgivningen uppmätt som ljudeffekt (L_{WA}) enligt EG-direktiv 2000/14/EG. Rapporterad ljudeffektnivå för maskinen har uppmätts med den originalskärutrustning som ger den högsta nivån. Skillnaden mellan garanterad och uppmätt ljudeffekt är att den garanterade ljudeffekten också inkluderar spridning i mätresultatet och variationen mellan olika maskiner av samma modell enligt direktiv 2000/14/EG.

¹⁵² Rapporterade data för ljudtrycksnivå för maskinen har en typisk statistisk spridning (standardavvikelse) på 3 dB(A) och har mätts med det originaltillbehör som ger den högsta nivån. Uppmätt tillsammans med motorn 325iLK.

¹⁵³ Rapporterade data för vibrationsnivå har en typisk statistisk spridning (standardavvikelse) på 2 m/s^2 . Vid jämförelse av vibrationsnivåer mellan batteri- och förbränningsdrivna produkter används vibrationsberäknaren, se <https://www.husqvarna.com/uk/services-solutions/vibration-calculator/>. Uppmätt tillsammans med motorn 325iLK.

¹⁵⁴ Uppmätt tillsammans med motorn 325iLK.

Försäkran om överensstämmelse

EU-försäkran om överensstämmelse

Vi, **Husqvarna AB**, 561 82 Huskvarna, Sverige, tel:
+46-36-146500, försäkrar på eget ansvar att produkten:

Beskrivning	Lövblåstillbehör
Varumärke	Husqvarna
Typ/Modell	BA101
Identifiering	Serienummer daterade 2022 och framåt

uppfyller alla krav i följande EU-direktiv och förordningar:

Lagstiftning	Beskrivning
2006/42/EG	"om maskiner"
2000/14/EG	"angående emission av buller till omgivningen"
2011/65/EU	"angående begränsning av användning av vissa farliga ämnen i elektrisk och elektronisk utrustning"

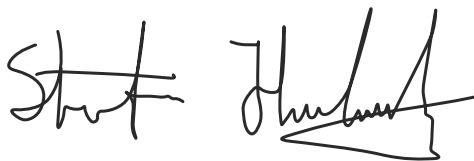
och att följande standarder och/eller tekniska specifikationer tillämpas: EN 15503:2009+A2:2015, EN ISO 12100:2021, EN IEC 63000:2018.

SMP Svensk Maskinprovning AB, Box 4053, SE-904 03 Umeå, Sweden har utfört en frivillig typkontroll enligt bilaga IX till 2006/42/EG.

Certifikatsnummer: SEC/15/2416 – Husqvarna BA101.

Information om bulleremissioner finns i *Tekniska data på sida 215*.

Huskvarna, 2022-05-09



Stefan Holmberg, R&D Director, Technology Management, Husqvarna AB

Ansvarig för teknisk dokumentation



EU-försäkran om överensstämmelse

Vi, **Husqvarna AB**, 561 82 Huskvarna, Sverige, tel:
+46-36-146500, försäkrar på eget ansvar att produkten:

Beskrivning	Lövlåstillsats med kraftaggregat (Husqvarna 325iLK)
Varumärke	Husqvarna
Typ/Modell	BA101
Identifiering	Serienummer daterade 2022 och framåt

uppfyller alla krav i följande EU-direktiv och förordningar:

Lagstiftning	Beskrivning
2006/42/EG	"om maskiner"
2000/14/EG	"angående emission av buller till omgivningen"
2011/65/EU	"angående begränsning av användning av vissa farliga ämnen i elektrisk och elektronisk utrustning"

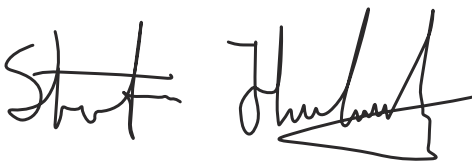
och att följande standarder och/eller tekniska
specifikationer tillämpas: IEC 62841-4-6, EN ISO
12100:2021, EN IEC 63000:2018.

SMP Svensk Maskinprovning AB, Box 4053, SE-904
03 Umeå, Sweden har utfört en frivillig typkontroll
enligt bilaga IX till 2006/42/EG. Certifikatsnummer:
SEC/15/2416 – Husqvarna BA101.

SMP Svensk Maskinprovning AB, har även intygat
överensstämmelse med bilaga V till rådets direktiv
2000/14/EG. Certifikatsnummer: 01/012/014.

Information om bulleremissioner finns i *Tekniska data på
sida 215*.

Huskvarna, 2022-05-09



Stefan Holmberg, R&D Director, Technology
Management, Husqvarna AB

Ansvarig för teknisk dokumentation



İçindekiler

Giriş.....	219	Taşıma, depolama ve atma.....	224
Güvenlik.....	220	Teknik veriler.....	224
Çalışma.....	223	Uyumluluk Bildirimi.....	226
Bakım.....	223		

Giriş

Ürün açıklaması

Sahip olduğumuz sürekli ürün geliştirme politikamız nedeniyle önceden bildirimde bulunmaksızın ürünlerin tasarımı ve görünümü ile ilgili değişiklikler yapma hakkını saklı tutarız.

Not: Bu kılavuzda, hem benzinle hem de aküyle çalışan güç üniteleri ele alınmaktadır.

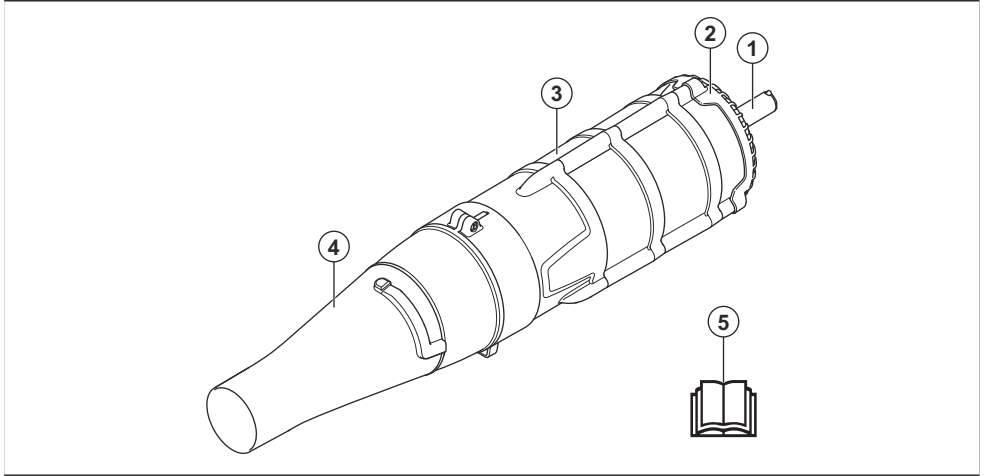
Kullanım amacı



UYARI: Bu ataşman yalnızca ilgili güç ünitesiyle birlikte kullanılabilir. Güç ünitesi için Kullanım kılavuzundaki aksesuar bölümüne bakın.

Ataşman yalnızca çimlenik alanları, patikaları, asfalt yolları ve benzeri yerleri temizlemek için tasarlanmıştır.

Ataşmana genel bakış



1. Mil
2. Hava giriş bölgesi
3. Fan muhafazası
4. Hava nozülü
5. Kullanım kılavuzu



Kullanım kılavuzunu dikkatle okuyun ve ataşmanı kullanmadan önce talimatları anladığınızdan emin olun.



Ataşman ve güç ünitesindeki semboller



Bu ataşmanın dikkatsiz veya hatalı kullanımı operatörde ya da başka kişilerde ciddi veya ölümcül yaralanmalara neden olabilir.



Bu ataşman yürürlükteki AT direktiflerine uygundur.



Onaylı kulak, göz ve solunum koruması kullanın.



Onaylı koruyucu eldiven kullanın.



AB ve BK direktifleri ile yönetmelikler ve Yeni Güney Galler mevzuatı "Çevre Koruma Operasyonları (Gürültü Kontrolü) Yönetmeliği 2017" uyarınca çevreye yayılan gürültü emisyonu etiketi. Ürünün garantili ses gücü düzeyi *Teknik veriler*

sayfada: 224 bölümünde ve etiket üzerinde belirtilmiştir.



Üfleyci operatörü, insan veya hayvanların 15 metreden daha yakında bulunmamasını sağlamalıdır. Aynı alanda birden fazla operatör çalışıyorsa en az 15 metrelik güvenlik mesafesi bırakılmalıdır. Üfleyci, geriye sıçrayabilecek nesnelere güçlü bir şekilde fırlatabilir. Bu, önerilen güvenlik donanımlarına neden olabilir.

Not: Ataşmanın üzerindeki diğer semboller/etiketler, belirli pazarların sertifikalandırma gereklilikleri ile ilgilidir.

Güvenlik

Güvenlik tanımları

Kullanım kılavuzundaki önemli kısımları vurgulamak için uyarılar ve notlar kullanılmıştır.



UYARI: Kılavuzdaki talimatlara uyulmadığı takdirde operatör veya çevredeki kişiler için ciddi yaralanma veya ölüm tehlikesi varsa kullanılır.



DİKKAT: Kılavuzdaki talimatlara uyulmadığı takdirde ürünün ve/veya ataşmanın, diğer malzemelerin ya da çevrenin zarar görme riski olduğunda kullanılır.

Not: Belirli bir durumda bilgi verilmesi gerektiğinde kullanılır.

Bahçe yaprak üfleyci, bahçe vakumu ve bahçe yaprak üfleyci/vakumu güvenlik uyarıları

- Kullanmadan önce besleme kablosu ve herhangi bir uzatma kablosunda hasar veya eskime belirtileri olup olmadığını kontrol edin. Besleme bağlantısını kesmeden kabloya dokunmayın. Kablo hasarlı veya aşınmışsa makineyi kullanmayın. Hasarlı besleme kablosu elektrik çarpmasına, yangına ve/veya ciddi yaralanmaya neden olabilir.
- Makineyi kötü hava koşullarında; özellikle de yıldırım düşmesi riski olduğunda kullanmayın. Bu, bir yıldırım tarafından çarılma riskini azaltır.
- Koruyucu gözlük ve koruyucu kulaklık takın. Uygun koruyucu ekipman, yaralanma riskini azaltır.
- Makineyi kullanırken her zaman kaymayan ve koruyucu ayakkabı giyin. Makineyi çıplak ayakta

veya açık sandalet giyerken çalıştırmayın. Bu, ayaklarda meydana gelebilecek yaralanma riskini azaltır.

- Bol giysiler veya hava girişlerine çekilebilecek atkı, tel, zincir, kravat vb. aksesuarlar giymeyin. Uzun saçları bağlayarak veya örterek hava girişlerine çekilmemesini sağlayın. Bu öğelerden herhangi biri hava girişlerine çekilirse yaralanma riskini artırabilir.
- Makineyi kullanırken çevredeki kişileri uzak tutun. Fırlayan döküntü yaralanma riskini artırabilir.
- Üfleyci ucunu asla insanlara veya evcil hayvanlara ya da pencerelere doğru tutmayın. Döküntü fırlamasına neden olabilecek ağaç, otomobil ve duvar gibi katı nesnelere yakınındaki döküntüleri üflerken ekstra dikkatli olun. Fırlayan nesnelere maddi hasara neden olabilir ve kişisel yaralanma riskini artırabilir.
- Makineyi sigara, kibrit veya sıcak kül gibi yanar ya da duman çıkan herhangi bir şeye üfleme için kullanmayın. Bu tutuşma kaynakları yangın riskini artırabilir.
- Hareket halindeyken fana dokunmayın. Makineyi kapatın ve fana erişim sağlayabilecek herhangi bir parçayı çıkarmadan önce fanın durmasını bekleyin. Bu, hareketli parçalardan kaynaklanan yaralanma riskini azaltır.
- Sıkışmış malzemeyi temizlerken veya makineye servis uygularken güç anahtarının kapalı olduğundan emin olun. Sıkışmış malzemeyi temizlerken veya bakım yaparken makinenin beklenmedik şekilde çalışması ciddi yaralanmalara neden olabilir.

Genel güvenlik talimatları



UYARI: Ataşmanı kullanmadan önce aşağıdaki güvenlik talimatlarını okuyun.

- Lütfen kullanım kılavuzunu dikkatle okuyun ve ataşmanı kullanmadan önce talimatları anladığınızdan emin olun.
- Bu Kullanım kılavuzu, tüm kullanıcı bilgilerini almak için güç ünitesinin Kullanım kılavuzu ile birlikte okunmalıdır.
- Üreticinin izni alınmadan ataşman tasarımında hiçbir şekilde değişiklik yapılamaz. Başkaları tarafından üzerinde değişiklik yapılmış gibi görünen bir ataşmanı kullanmayın ve her zaman orijinal aksesuarları kullanın. Onaylanmamış değişiklikler ve/veya aksesuarlar operatör veya başkaları açısından ciddi yaralanmalara veya ölüme neden olabilir.

Kullanım için güvenlik talimatları



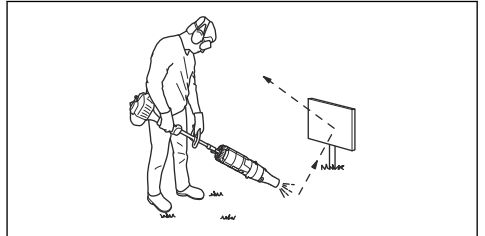
UYARI: Ürünü kullanmadan önce aşağıdaki uyarı talimatlarını okuyun.



UYARI: Bu ürün, çalışırken elektromanyetik bir alan oluşturur. Bu alan, bazı koşullarda aktif veya pasif tıbbi implantlarda parazitenmeye neden olabilir. Ciddi yaralanmaya veya ölüme neden olabilecek durumların ortaya çıkma riskini azaltmak için tıbbi implantı olan kişilerin, bu ürünü çalıştırmadan önce doktorlarına ve tıbbi implant üreticilerine danışmalarını öneririz.

- Yorgunsanız, hastaysanız, alkol aldıysanız veya görüşünüzü, karar verme yetinizi ya da koordinasyonunuzu etkileyebilecek ilaç ya da uyuşturucu madde kullanıyorsanız ürünü asla kullanmayın.
- Arızalı bir ürünü kesinlikle kullanmayın.
- Çalıştırmadan önce tüm kapaklar ve siperlikler takılmış olmalıdır. Benzinle çalışan bir ürününüz varsa elektrik çarpması riskini önlemek için buji kapağının ve ateşleme ucunun hasarlı olmadığından emin olun.
- Üfleyci operatörü, insan veya hayvanların 15 metreden daha yakında bulunmamasını sağlamalıdır. Aynı alanda birden fazla operatör çalışıyorsa en az 15 metrelik güvenlik mesafesi bırakılmalıdır.
- Çocukların ürünü kullanmasına asla izin vermeyin.
- Kullanım kılavuzundaki bilgileri tam olarak okuyup anladığınızdan emin olmadığınız kişilerin ürünü kullanmasına kesinlikle izin vermeyin.
- Hava giriş siperliğini asla çıkarmayın.
- Motor çalışırken bujiye veya ateşleme kablosuna asla dokunmayın. Bujiye veya fişe dokunmak elektrik çarpmasına maruz kalınmasına neden olabilir.
- Her zaman yerel yetkililere danışın ve geçerli direktiflere uyduğunuzdan emin olun.

- Vücudunuzun tüm bölümlerini sıcak yüzeylerden uzakta tutun.
- Nasıl devam etmeniz gerektiği konusunda emin olmadığınız bir durumda karşılaştırsanız bir uzmana danışmalısınız. Bayiniz veya servis atölyenizle iletişime geçin. Yapabileceğinizin ötesinde olduğunu düşündüğünüz hiçbir çalışmayı yapmayın.
- Yaprak üfleycinin ağızını yere olabildiğince yakın tutun. Hava akımını yere yakın tutmak için üfleme borusunu boydan boya kullanın.
- Çevreye gereğinden fazla rahatsızlık vermemek için makineyi normal çalışma saatlerinde kullanın. Sabah erken saatte veya gece geç saatte çalışmaktan kaçının.
- Çevrenize dikkat edin. Çalıştığınız alana yaklaşan bir kişi olursa bu kişi güvenli mesafede olana kadar gaz/güç tetiğini serbest bırakın. Yaprak üfleyciyi insanlara, hayvanlara, oyun alanlarına, açık pencerelere, arabalara vb. doğrultmayın. Havanın gücü taş, toprak ya da dal parçalarının, insanları veya hayvanları yaralayacak, camları kıracak ya da başka hasarlara yol açacak şekilde fırlamasına veya sekmesine neden olabilir.
- Döner pervanenin neden olabileceği ciddi yaralanmalardan kaçınmak için yaprak üfleyci muhafazasının içine asla elinizi ya da diğer nesnelere sokmayın.
- Dış yüzeylerde yağ ya da yakıt bulunmamasına özen gösterin.
- Asla kimyasallar, gübre ya da zehirli malzeme içerebilecek diğer malzemelerin dağıtılması için kullanmayın.
- Alevlerin yayılmaması için yaprak ya da çalı yangınlarının, şöminelerin, barbekülerin, kül tablalarının vb. yakınında kullanmayın.
- Ataşmana asla su ya da başka bir sıvı dökmeyin veya püskürtmeyin.
- Makineyi tutmak için mutlaka iki elinizi birlikte kullanın. Makineyi vücudunuzun yan tarafında tutun.
- Benzinle çalışan bir ürününüz varsa yakıt doldurmadan önce motorun soğumasını bekleyin.
- Güçlü hava akımları, nesnelere geriye sıçratarak ciddi göz yaralanmalarına neden olabilecek kadar hızlı hareket ettirebilir.



- Aksesuarları veya diğer parçaları monte etmeden ya da sökmeden önce motoru durdurun.
- Ürünü yoğun sis, şiddetli yağmur, kuvvetli rüzgar, aşırı soğuk gibi kötü hava koşullarında kullanmayın.

Kötü hava koşullarında çalışmak yorucudur ve kaygan yüzeyler gibi tehlikeli durumlara yol açabilir.

- Güvenli bir şekilde hareket edebildiğinizden ve ayakta durabildiğinizden emin olun. Ani hareket etmeniz gerekebileceğini göz önünde bulundurarak çevrenizdeki olası engelleri (kökler, taşlar, dallar, çukurlar vb.) kontrol edin. Eğimli bir zeminde çalışırken daha dikkatli olun.



- Görüş alanınızda değilken ürünü motor çalışır halde asla yere koymayın.
- Benzinle çalışan bir ürününüz varsa motor egzozu dumanları, karbon monoksit içerir ve karbon monoksit zehirlenmesine neden olabilir. Bu nedenle ürünü kapalı ya da havalandırması yetersiz olan yerlerde çalıştırmamalı ve kullanmamalısınız.
- Yaprak üfleyci bir merdiven veya iskelesi üzerinde ya da yüksek yerlerde (ör. çatılar) kullanılmamalıdır. Bu şekilde çalışmak ciddi yaralanmalara yol açabilir.



- Bir kaza durumunda yardım isteyebilecek durumda değilseniz ürünü kullanmayın.
- Düzgün hava akışını sınırlandırabileceğinden ve üniteye zarar verebileceğinden hava girişi açıklığına kesinlikle herhangi bir nesne koymayın.
- Ürünün çit, ağaç veya başka sert bir malzemeye çarpmadığından emin olun. Bu, makineye zarar verebilir ve ciddi yaralanmalara neden olabilir.
- Kulak koruma ekipmanı taktığınızda, uyarı sinyalleri veya bağırma seslerini dinleyin. Motor durur durmaz kulak koruma ekipmanınızı hemen çıkarın.

Kişisel koruyucu ekipman

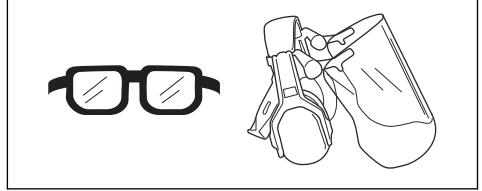


UYARI: Ürünü kullanmadan önce aşağıdaki uyarı talimatlarını okuyun.

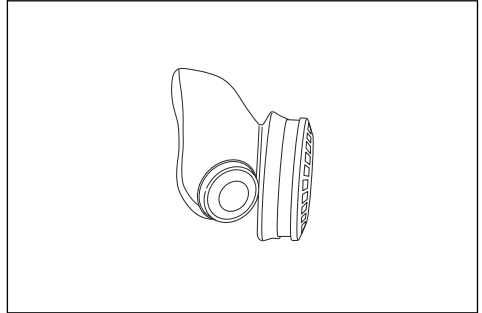
- Ürünü kullanırken daima onaylı kişisel koruyucu ekipmanları kullanın. Kişisel koruyucu ekipmanlar

yaralanma riskini tamamen engelleyemez ancak bir kaza durumunda yaralanmanın derecesini azaltır. Bayinizin doğru ekipmanı seçmenize yardımcı olmasını sağlayın.

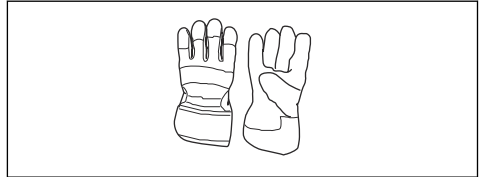
- Yeterli gürültü azaltması sağlayan onaylı kulak koruma ekipmanını kullanın. Uzun süre gürültüye maruz kalınması sürekli işitme bozukluğuna yol açabilir.
- Onaylı koruyucu gözlük kullanın. Vizör kullanıyorsanız onaylı koruyucu gözlük de kullanmanız gerekir. Onaylı koruyucu gözlük ABD'de ANSI Z87.1 veya AB ülkelerinde EN 166 standardıyla uyumlu olmalıdır.



- Toz riski varsa solunum koruması kullanın.



- Ekipmanı takma, kontrol etme veya temizleme gibi gerekli durumlarda eldiven kullanın.



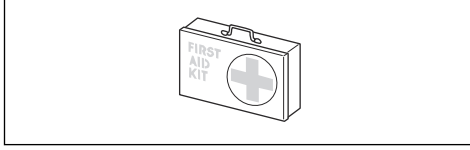
- Sağlam, kaymayan botlar veya ayakkabılar giyin.



- Sağlam kumaştan yapılmış kıyafetler kullanın. Daima kalın ve uzun pantolonlarla uzun kollu

kiyafetler kullanın. Çalılara ve dallara takılabilecek bol kıyafetler kullanmayın. Takı takmayın; şort, sandalet giymeyin veya çıplak ayakla dolaşmayın. Saçınızı güvenli bir şekilde omuz hizasının üzerinde toplayın.

- İlk yardım ekipmanını yakında bulundurun.



Kullanmadan önce ürünü genel olarak kontrol edin. Bakım takvimini inceleyin.

Bu kılavuzda belirtilen bakım ve servis talimatlarına uyun. Bazı bakım ve servis işlerinin sadece yetkili ve kalifiye teknisyenler tarafından yapılması gerekir. Bakım başlığı altındaki talimatlara bakın.

Çalışmaya başlamadan önce her zaman hava girişi siperliğini tıkalıyabilecek herhangi bir nesne olup olmadığını kontrol edin.

Ürünün düşmesinden kaynaklanan hasarı önlemek için montaj ve sökme işlemleri zemin yüzeyine yakın yapılmalıdır.

Bakım için güvenlik talimatları



UYARI: Ürünü kullanmadan önce aşağıdaki uyarı talimatlarını okuyun.

Çalışma

Ataşmanı kullanma

Not: Çevredeki insanları rahatsız etmemek için akşamın geç saatleri veya sabahın erken saatleri gibi uygun olmayan zamanlarda makineyi kullanmaktan kaçının. Aynı anda kullanılan ekipman ünitesi sayısını sınırlandırarak gürültü düzeyini azaltın. Çevrenize olabildiğince az rahatsızlık vermek için temel talimatları okuyun ve izleyin.

1. Yere yapışmış çöpleri ayırmak için tırmık veya süpürge kullanın.
2. Köşeleri temizlerken işe tam köşeden başlayıp dışarıya doğru ilerleyin. Bu, yüzünüze doğru gelebilecek birikintilerin oluşmasını önlemeye yardımcı olur.
3. Üfleleyiciyi mümkün olan en düşük gazda/hızda kullanın. Ürünü tam gaz/hızda kullanmak nadiren gerekir ve birçok iş yarım gaz/hızda yapılabilir. Düşük gaz/hız daha az gürültü ve daha az toz anlamına gelir ve ayrıca toplanan/taşınan çöplerin kontrol altında tutulmasını da kolaylaştırır.
4. Tozlu alanları hafifçe ıslatarak veya sprey ekipmanı kullanarak üfleme zamanını en aza indirin.

5. Kafes, paravan, panjur ve sundurma gibi çeşitli çimenlik alan ve bahçe uygulamalarında su hortumları yerine üfleleyicileri kullanarak su tüketimini azaltın.
6. Bitkilerin yakınında çalışırken dikkatli olun. Havanın gücü hassas bitkilere zarar verebilir.
7. Hava jetinin hızı gaz/güç tetiği ile düzenlenir. İlgili göreve en uygun hızı seçin.
8. Rüzgar yönüne dikkat edin. İşinizi kolaylaştırmak için rüzgar yönünde çalışın.
9. Büyük yığınları taşımak için üfleleyiciyi kullanmak zaman alır ve gereksiz gürültü yaratır.
10. Dengenizi koruyun ve yare sağlam basın.
11. Çalışırken ürünün zemine temas etmemesi için hortumla zemin arasındaki mesafeyi koruyun.
12. İşiniz bittikten sonra temizlik yapın. Çöplerin başka bir bahçeye gitmediğinden emin olun. Pislikleri çöp kutularına atın.
13. İş tamamlandıktan sonra ürün yatay konumda saklanmalıdır.

Bakım

Giriş

Aşağıda bazı genel bakım talimatlarını bulabilirsiniz. Daha fazla bilgiye ihtiyaç duyarsanız lütfen servise irtibata geçin.

Ataşmanda günlük bakım yapma



UYARI: Ataşman üzerinde temizlik veya bakım yapmadan önce daima motoru durdurun. Benzinle çalışan bir ürününüz varsa ateşleme kablosunu bujiden çıkarın. Akülü bir ürününüz varsa aküyü çıkarın.

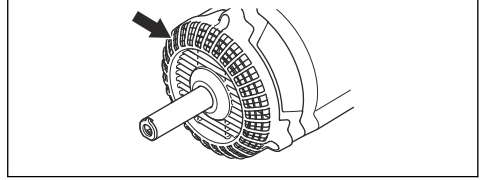


UYARI: Vücudunuzun tüm bölümlerini sıcak yüzeylerden uzakta tutun.

1. Üfleycinin dış yüzeyini temizleyin.
2. Muhafazaların hiçbirinde çatlak olmadığından emin olun.
3. Ürünün mükemmel şekilde çalışır durumda olduğundan emin olun.
4. Tüm somun ve vidaların sıkı olduğundan emin olun.
5. Islak bir bez ve yumuşak bir deterjan kullanarak etiketleri temizleyin.

Hava girişini kontrol etme

1. Hava girişinin alt kısmı da dahil olmak üzere herhangi bir tarafının yaprak veya çöp gibi nesnelere tıkanıp tıkanmadığını kontrol edin. Tıkanmış hava girişi, ürünün üfleme kapasitesini azaltıp motorun çalışma ısısını yükselterek motorun arızalanmasına neden olabilir. Motoru durdurun ve nesneyi çıkarın.



Taşıma, depolama ve atma

Taşıma ve depolama

Her kullanımdan sonra aşağıdaki işlemleri gerçekleştirin

- Makineyi saklamadan veya taşımadan önce aparatın soğumasını bekleyin.
- Çocukların ulaşamayacağı, yüksek, serin, kuru ve kapalı bir yerde saklayın.

SEZON SONUNDA KALDIRMA

Sezon sonunda veya 30 gün ya da daha uzun bir süre kullanılmayacaksa atışmanı uzun süreli depolama için hazırlayın. Üfleyci atışmanını uzun süre saklayacaksınız:

- Üniteyi temizleyin.
- Aparatta gevşek veya hasarlı parçalar olup olmadığını kontrol edin. Gevşek vidaları sıkın.
- Tüm hasarlı, aşınmış ya da kırık parçaları değiştirin.
- Bir sonraki sezonun başında, yalnızca doğru oranda benzin-yağ karışımına sahip taze yakıt kullanın.

Bertaraf etme

- Yerel geri dönüşüm gerekliliklerine ve geçerli düzenlemelere uyun.
- Ürün artık kullanılmıyorsa ürünü Husqvarna bayisine gönderin veya geri dönüşüm noktasında atın.

Teknik veriler

Benzinle çalışan ürünler için teknik veriler

BA101	
Ağırlık	
Ağırlık, kg	1,9
Gürültü emisyonu	
Ses gücü düzeyi, ölçülmüş dB (A)	111
Ses gücü düzeyi, garantili L _{WA} dB (A)	114
Ses düzeyleri¹⁵⁵	
EN15503 uyarınca ölçülen, operatörün kulağındaki eş değer ses basıncı düzeyi, dB(A)	99

¹⁵⁵ Eş değer ses basınç düzeyi değeri, boşta çalışma için 1/7 ve hızlı çalışma için 6/7 çalışma döngüsü zamanıyla hesaplanmıştır. Makinenin eş değer ses basıncı düzeyi için bildirilen verilerdeki tipik istatistik dağılım (standart sapma) 1 dB(A) değerindedir.

BA101	
Titreşim düzeyleri ¹⁵⁶	
EN 15503 uyarınca tutma yerlerinde ölçülen eş değer titreşim düzeyleri ($a_{hv,eq}$), m/sn ²	
Ön/arka tutma yerleri:	5,6 / 8,3
Fan performansı ¹⁵⁷	
Standart uç ile maks. hava hızı, m/sn:	46
Standart uç ile hava akışı, m ³ /dak	14

Akülü ürünler için teknik veriler

325iLK + Blower attachment BA101	
Ağırlık	
Ağırlık, kg	2,3+1,9
Gürültü emisyonu ¹⁵⁸	
Ses gücü düzeyi, ölçülmüş dB (A)	103
Ses gücü düzeyi, garantili L _{WA} dB (A)	106
Ses düzeyleri ¹⁵⁹	
ISO 26868 uyarınca ölçülen, operatörün kulağındaki ses basıncı düzeyi, dB(A)	
Onaylı aksesuarla (orijinal) donatılmış, dB (A)	93
Titreşim düzeyleri ¹⁶⁰	
EN 62841-1 uyarınca ölçülen tutma yerlerindeki titreşim düzeyleri, m/sn ²	
Onaylı aksesuarla (orijinal) donatılmış, sol/sağ, m/sn	1,6 / 1,1
Fan performansı ¹⁶¹	
Standart uç ile normal modda hava akışı, m ³ /dak	14
Standart uç ile normal modda maksimum hava hızı, m/sn:	45

¹⁵⁶ Eş değer titreşim düzeyi değeri, boşta çalışma için 1/7 ve hızlı çalışma için 6/7 çalışma döngüsü zamanıyla hesaplanmıştır. Eş değer titreşim düzeyi için bildirilen verilerdeki tipik istatistiksel dağılım (standart sapma) 1 m/sn² şeklindedir.

¹⁵⁷ 525iLK/GC2225C motor ünitesiyle birlikte.

¹⁵⁸ 2000/14/AT sayılı AT direktifi uyarınca ses gücü (L_{WA}) olarak çevrede ölçülen gürültü emisyonu düzeyi. Makine için bildirilen ses gücü düzeyi, en yüksek düzeyi veren orijinal kesme ataşmanıyla ölçülmüştür. Garanti edilen ve ölçülen ses gücü arasındaki fark, garantili ses gücünün 2000/14/AT Sayılı Direktif doğrultusunda ölçüm sonucundaki dağılımı ve aynı modelden farklı makineler arasındaki değişimleri de içermesidir.

¹⁵⁹ Makinenin ses basıncı düzeyi için bildirilen verilerdeki tipik istatistik dağılım (standart sapma) 3 dB (A) şeklindedir ve en yüksek düzeyi veren orijinal ataşmanla ölçülmüştür. 325iLK motor ünitesiyle birlikte ölçülmüştür.

¹⁶⁰ Titreşim düzeyi için bildirilen verilerin tipik istatistik dağılımı (standart sapması) 2 m/sn² şeklindedir. Akülü ve yakıtlı çalışan ürünlerin titreşim düzeylerini karşılaştırmak için titreşim hesaplayıcıyı kullanın. Bkz. <https://www.husqvarna.com/uk/services-solutions/vibration-calculator/>. 325iLK motor ünitesiyle birlikte ölçülmüştür.

¹⁶¹ 325iLK motor ünitesiyle birlikte ölçülmüştür.

Uyumluluk Bildirimi

AB Uyumluluk Bildirimi

Biz, **Husqvarna AB**, SE-561 82 Huskvarna, İsveç, tel: +46-36-146500 olarak tek sorumlu vasfıyla ürüne ilişkin aşağıdaki beyanlarda bulunmaktayız:

Açıklama	Üfleyci ataşmanı
Marka	Husqvarna
Tip/Model	BA101
Kimlik	2022 ve sonrası tarihli seri numaraları

aşağıdaki AB direktifleri ve yönetmelikleriyle tamamen uyumludur:

Düzenleme	Açıklama
2006/42/AT	"makinelele ilgili"
2000/14/AT	"çevredeki gürültü emisyonlarıyla ilgili"
2011/65/AB	"elektrikli ve elektronik ekipmanlarda belirli tehlikeli maddelerin kullanımının kısıtlanmasıyla ilgili"

ve aşağıdaki standartlar ve/veya teknik özellikler uygulanmıştır: EN 15503:2009+A2:2015, EN ISO 12100:2021, EN IEC 63000:2018.

SMP Svensk Maskinprovning AB, Box 4053, SE-904 03 Umeå, Sweden 2006/42/AT ek IX uyarınca gönüllü tip incelemesi gerçekleştirmiştir.

Sertifika numarası: SEC/15/2416 – Husqvarna BA101.

Gürültü emisyonları ile ilgili bilgi için bkz. *Teknik veriler sayfa: 224*.

Huskvarna, 2022-05-09

Stefan Holmberg, AR-GE Direktörü, Teknoloji Yönetimi, Husqvarna AB

Teknik dokümantasyon sorumlusu

Türk ithalat şirketi daha fazla bilgi için temas edilecek:
Çullas Orman Bahçe ve Tarım Mak. San. Tic. A.Ş.
Yalı Mah. Ziya Gökalp Cad. No:17
Maltepe – 34844 İstanbul / Türkiye
Telefon: +90 216 519 88 82
Faks: +90 216 519 88 78
info@cullas.com.tr



AB Uyumluluk Bildirimi

Biz, **Husqvarna AB**, SE-561 82 Huskvarna, İsveç, tel: +46-36-146500 olarak tek sorumlu vasfıyla ürüne ilişkin aşağıdaki beyanlarda bulunmaktayız:

Açıklama	Güç üniteli üfleyci ataşmanı Husqvarna 325iLK
Marka	Husqvarna
Tıp/Model	BA101
Kimlik	2022 ve sonrası tarihli seri numaraları

aşağıdaki AB direktifleri ve yönetmelikleriyle tamamen uyumludur:

Düzenleme	Açıklama
2006/42/AT	"makinelere ilgili"
2000/14/AT	"çevredeki gürültü emisyonlarıyla ilgili"
2011/65/AB	"elektrikli ve elektronik ekipmanlarda belirli tehlikeli maddelerin kullanımının kısıtlanmasıyla ilgili"

ve aşağıdaki standartlar ve/veya teknik özellikler uygulanmıştır: IEC 62841-4-6, EN ISO 12100:2021, EN IEC 63000:2018.

.SMP Svensk Maskinprovning AB, Box 4053, SE-904 03 Umeå, Sweden 2006/42/AT ek IX uyarınca gönüllü tip incelemesi gerçekleştirmiştir. Sertifika numarası: SEC/15/2416 – Husqvarna BA101.

.SMP Svensk Maskinprovning AB, 2000/14/EG konsey direktifinin V. ekiyle uyumluluğu da doğrulamıştır. Sertifika numarası: 01/012/014.

Gürültü emisyonları ile ilgili bilgi için bkz. *Teknik veriler sayfa: 224.*

Huskvarna, 2022-05-09

Stefan Holmberg, AR-GE Direktörü, Teknoloji Yönetimi, Husqvarna AB

Teknik dokümantasyon sorumlusu

Türk ithalat şirketi daha fazla bilgi için temas edilecek:

Çullas Orman Bahçe ve Tarım Mak. San. Tic. A.Ş.

Yalı Mah. Ziya Gökalp Cad. No:17

Maltepe – 34844 İstanbul / Türkiye

Telefon: +90 216 519 88 82

Faks: +90 216 519 88 78

info@cullas.com.tr



Contents

Introduction.....	2	Maintenance.....	6
Safety.....	3	Transportation, storage and disposal.....	6
Operation.....	5	Technical data.....	7

Introduction

Product description

We have a policy of continuous product development and therefore reserve the right to modify the design and appearance of the products without prior notice.

Note: This manual cover both gasoline operated and battery operated power units.

Intended use

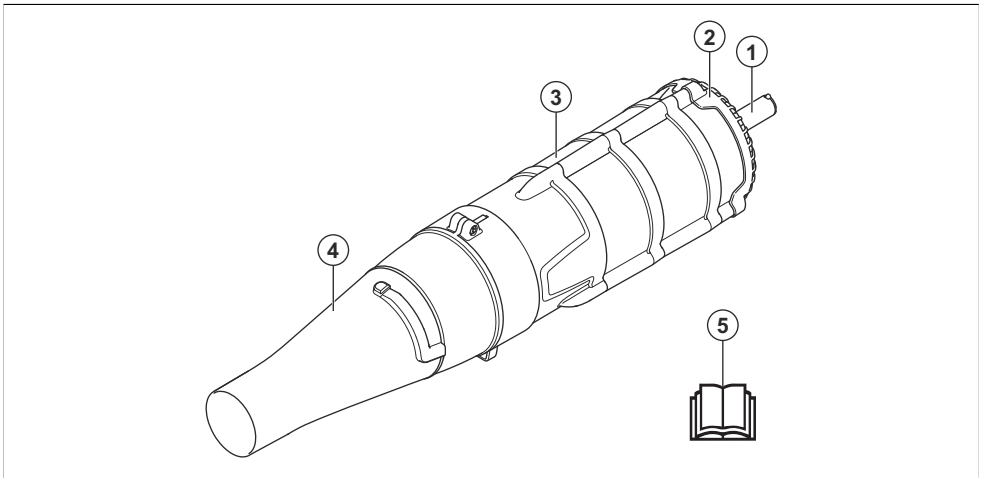


WARNING: This

attachment may only be used together with the intended power unit. See the accessory chapter in the Operator's manual for the power unit.

The attachment is only designed for blowing lawns, pathways, asphalt roads and the like.

Attachment overview



1. Shaft
2. Air intake screen
3. Fan housing
4. Air nozzle
5. Operator's manual



Read the operator's manual carefully and make sure you understand the instructions before you use the attachment.



Symbols on the attachment and on the power unit



Careless or incorrect use of this attachment can result in serious or fatal injury to the operator or others.



Use approved hearing, eye and breathing protection.



Use approved protective gloves.



The blower operator must ensure that no people or animals come closer than 15 meters. When several operators are working at the same site a safety distance of at least 15 meters must be in effect. The blower can forcibly throw objects that can bounce back. This can result in serious eye injuries if the recommended safety equipment is not used.

California Proposition 65

WARNING!

The engine exhaust from this product contains chemicals known to the State of California to cause cancer, birth defects or other reproductive harm.

Note: Other symbols/decals on the attachment refer to special certification requirements for certain markets.

Safety

Safety definitions

Warnings, cautions and notes are used to point out specially important parts of the operator's manual.



WARNING: Used if there is a risk of injury or death for the operator or bystanders if the instructions in the manual are not obeyed.



CAUTION: Used if there is a risk of damage to the product and/or the attachment, other materials or the adjacent area if the instructions in the manual are not obeyed.

Note: Used to give more information that is necessary in a given situation.

IMPORTANT SAFETY INSTRUCTIONS



WARNING: Read all safety warnings and all instructions. Failure to follow the warnings and instructions may result in electric shock, fire and/or serious injury.

READ ALL INSTRUCTIONS BEFORE USING THE APPLIANCE

Please read the operator's manual carefully and make sure you understand the instructions before using the machine.



WARNING: To Reduce The Risk Of Electric Shock - Do Not Expose To Rain - Store Indoors.

- Do not allow to be used as a toy. Close attention is necessary when used by or near children.
- Use only as described in this manual. Use only manufacturer's recommended attachments.
- Do not use with damaged cord or plug. If appliance is not working as it should, has been dropped, damaged, left outdoors, or dropped into water, return it to a service center.
- Do not handle plug or appliance with wet hands.
- Do not put any object into openings. Do not use with any opening blocked; keep free of dust, lint, hair, and anything that may reduce air flow.
- Keep hair, loose clothing, fingers, and all parts of body away from openings and moving parts.
- Use extra care when cleaning on stairs.
- Do not use to pick up flammable or combustible liquids, such as gasoline, or use in areas where they may be present.

General safety instructions



WARNING: Read the safety instructions that follow before you use the attachment.

- Please read the operator's manual carefully and make sure you understand the instructions before using the attachment.
- This Operator's manual should be read together with the Operator's manual for the power unit to get the complete user information.
- Under no circumstances may the design of the attachment be modified without the permission of the manufacturer. Do not use an attachment that appears to have been modified by others and always use original accessories. Non-authorized modifications and/or accessories can result in serious personal injury or the death of the operator or others.

Safety instructions for operation



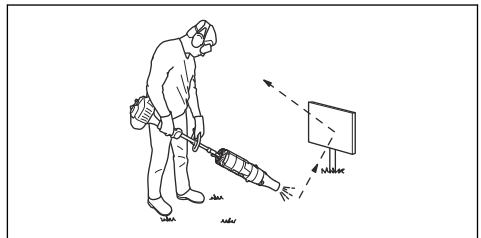
WARNING: Read the warning instructions that follow before you use the product.



WARNING: This product produces an electromagnetic field during operation. This field may under some circumstances interfere with active or passive medical implants. To reduce the risk of serious or fatal injury, we recommend persons with medical implants to consult their physician and the medical implant manufacturer before operating this product.

- Never use the product if you are tired, if you are ill, if you have consumed alcohol, or if you are taking other drugs or medication that can affect your vision, judgement or co-ordination.
- Never use a product that is faulty.
- All covers and guards must be fitted before starting. If you have a gasoline operated product, ensure that the spark plug cap and ignition lead are undamaged to avoid the risk of electric shock.
- The blower operator must ensure that no people or animals come closer than 15 meters. When several operators are working at the same site a safety distance of at least 15 meters must be in effect.
- Never allow children to use the product.
- Never allow anyone else to use the product without first ensuring that they have read and understood the contents of the operator's manual.
- Never remove the air intake screen.
- Never touch the spark plug or ignition cable while the engine is running. Touching the spark plug or plug may result in being subjected to an electrical shock.

- Always contact local authorities and make sure you are following applicable directives.
- Keep all parts of your body away from hot surfaces.
- If you encounter a situation where you are uncertain how to proceed you should ask an expert. Contact your dealer or your service workshop. Avoid all usage which you consider to be beyond your capability.
- Hold the opening of the blower as close to the ground as possible. Utilize the entire length of the blow pipe to keep the air stream close to the ground.
- Use the machine during normal working hours to avoid unnecessary disturbance. Avoid working early in the morning or late at night.
- Be aware of your surroundings. If anyone approaches your work area, release the throttle/power trigger until the person is at a safe distance. Direct the blower away from people, animals, play areas, open windows and cars etc. The force of air can cause rocks, dirt or sticks to be thrown or to ricochet which can injure people or animals, break glass or cause other damage.
- Never put hands or other objects into blower housing to avoid serious injury from the rotating impeller.
- Keep outside surface free from oil and fuel.
- Never use for spreading chemicals, fertilizer or other substances which may contain toxic materials.
- To avoid spreading fire, do not use near leaf or brush fire, fireplaces, barbecue pits, ashtrays, etc.
- Never douse or squirt the attachment with water or any other liquid.
- Always use both hands to hold the machine. Hold the machine at the side of your body.
- If you have a gasoline operated product, allow the engine to cool before refueling.
- The powerful streams of air can move objects at such a speed that they can bounce back and cause serious eye injuries.

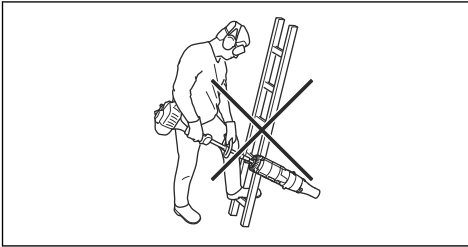


- Stop the engine/motor before assembling or dismantling accessories or other parts.
- Do not use the product in bad weather, such as dense fog, heavy rain, strong wind, intense cold, etc. Working in bad weather is tiring and can lead to dangerous conditions, e.g. slippery surfaces.
- Make sure you can move and stand safely. Check the area around you for possible obstacles (roots, rocks, branches, ditches, etc.) in case you have to

move suddenly. Take great care when working on sloping ground.



- Never put the product down with the engine/motor running unless you have it in clear sight.
- If you have a gasoline operated product, the engine exhaust fumes contain carbon monoxide, which can cause carbon monoxide poisoning. For this reason you should not start or run the product indoors, or anywhere that is poorly ventilated.
- The blower must not be used while on a ladder or scaffolding, or in high places (such as roofs). This work could result in severe injury.



- Do not use the product unless you are able to call for help in the event of an accident.
- Never place any objects in air intake opening as this could restrict proper air flow and cause damage to the unit.
- Make sure that the product do not hit any fence, tree or other hard material. This could cause damage to the machine and lead to severe injury.
- Listen out for warning signals or shouts when you are wearing hearing protection. Always remove your hearing protection as soon as the engine/motor stops.

Other safety information

- Avoid Dangerous Environment – Don't use appliances in damp or wet locations.

- Don't Use In Rain.
- Keep Children Away – All visitors should be kept at a distance from work area.
- Dress Properly – Do not wear loose clothing or jewelry. They can be caught in moving parts. Use of rubber gloves and substantial footwear is recommended when working outdoors. Wear protective hair covering to contain long hair.
- Use Safety Glasses – Always use face or dust mask if operation is dusty.
- Use Right Appliance – Do not use appliance for any job except that for which it is intended.
- Don't grasp the exposed cutting blades or cutting edges when picking up or holding the appliance.
- Don't Force Appliance – It will do the job better and with less likelihood of a risk of injury at the rate for which it was designed.
- Don't Overreach – Keep proper footing and balance at all times.
- Stay Alert – Watch what you are doing. Use common sense. Do not operate appliance when you are tired.
- Store Idle Appliances Indoors – When not in use, appliances should be stored indoors in dry, and high or locked-up place – out of reach of children.
- Maintain Appliance With Care – Keep cutting edge sharp and clean for best performance and to reduce the risk of injury. Follow instructions for lubricating and changing accessories. Keep handles dry, clean, and free from oil and grease.
- Check Damaged Parts – Before further use of the appliance, a guard or other part that is damaged should be carefully checked to determine that it will operate properly and perform its intended function. Check for alignment of moving parts, binding of moving parts, breakage of parts, mounting, and any other condition that may affect its operation. A guard or other part that is damaged should be properly repaired or replaced by an authorized service center unless indicated elsewhere in this manual.

SAVE THESE INSTRUCTIONS

Operation

To use the attachment

Note: Show consideration to persons in your surroundings by avoiding using the machine at unsuitable times, such as late in the evening or early

in the morning. Reduce the noise levels by limiting the number of equipment units used simultaneously. Read through and follow the simple directions so that you disturb your surroundings as little as possible.

1. Use a rake or a brush to release rubbish stuck to the ground.
2. Clean corners by starting in corners and moving outward. This will help prevent an accumulation of debris which could fly into your face.
3. Use the blower with the lowest possible throttle/speed. It is seldom necessary to use full throttle/speed, and many work procedures can be done at half throttle/speed. A lower throttle/speed means less noise and less dust, and it is also easier to keep control over the rubbish collected together/moved.
4. Minimise the blowing time by lightly wetting dusty areas or using spray equipment.
5. Reduce water consumption by using blowers instead of water hoses for different applications around the lawn and garden, such as lattices, screens, grills, porches, etc.
6. Be careful when working near plants. The force of the air could damage tender plants.
7. The speed of the air jet is regulated by means of the throttle/power trigger. Select the speed best suited for respective tasks.
8. Be aware of the wind direction. Work with the wind to make your work easier.
9. Using the blower to move large piles is time consuming and creates unnecessary noise.
10. Keep a good balance and a firm foothold.
11. Keep clearance between the tube and ground to avoid contact with the ground when working with the product.
12. Clean up afterwards. Make sure that you have not blown rubbish into someone's garden. Dispose of debris in trash receptacle.
13. When work is finished the product should be stored horizontally.

Maintenance

Introduction

Below you will find some general maintenance instructions. If you need further information please contact your service workshop.

To perform daily maintenance on the attachment



WARNING: Always stop the engine/motor before you clean or do maintenance on the attachment. If you have a gasoline operated product, disconnect the ignition cable from the spark plug. If you have a battery operated product, remove the battery.



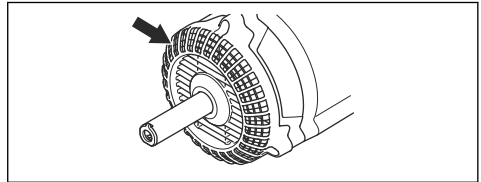
WARNING: Keep all parts of your body away from hot surfaces.

1. Clean the exterior surface of the blower.

2. Make sure that all the housing are free of cracks.
3. Make sure that the product is in perfect working order.
4. Make sure that all nuts and screws are tight.
5. Clean the labels using a damp cloth with a mild detergent.

To check the air intake screen

1. Check that the air intake is not blocked on all sides including the underside, for example, by leaves or rubbish. A clogged air intake reduces the product's blowing capacity and increases the working temperature of the engine/motor, which can result in engine/motor failure. Stop the engine/motor and remove the object.



Transportation, storage and disposal

Transport and storage

Perform the following steps after each use:

- Allow attachment to cool before storing or transporting.
- Store in a high, cool, dry, indoor area out of reach for children.

Seasonal storage

Prepare attachment for storage at end of season or if it will not be used for 30 days or more. If your blower attachment is to be stored for a period of time:

- Clean the unit.
- Inspect attachment for any loose or damage parts. Tighten any loose screws.
- Replace any damaged, worn or broken parts.

- At the beginning of the next season, use only fresh fuel having the proper petrol to oil ratio.
- When the product is no longer in use, send it to a Husqvarna dealer or discard it at a recycling location.

Disposal

- Obey the local recycling requirements and applicable regulations.

Technical data

Technical data for gasoline operated products

BA101	
Weight	
Weight, lb/kg	4.2/1.9
Sound levels ¹	
Equivalent sound pressure level at the operator's ear, measured according to EN15503 dB(A)	99
Vibration levels ²	
Equivalent vibration levels ($a_{nv,eq}$) at handles, measured according to EN 15503, m/s ²	
Front/rear handles:	5.6/8.3
Fan performance ³	
Max. air velocity with standard nozzle, mph / m/s:	103/46
Air flow with standard nozzle, cfm / m ³ /min	297/14

Technical data for battery operated products

325iLK + Blower attachment BA101	
Weight	
Weight, lb/kg	5.1/2.3+4.2/1.9
Sound levels	
Sound pressure level at the operator's ear, measured according to ISO 26868 dB(A) ⁴	
Equipped with approved accessory (original), dB (A)	93

¹ The equivalent sound pressure level value is calculated with a work cycle of a duration of 1/7 for idling and 6/7 for racing. Reported data for equivalent sound pressure level for the machine has a typical statistical dispersion (standard deviation) of 1 dB(A).

² The equivalent vibration level value is calculated with a work cycle of a duration of 1/7 for idling and 6/7 for racing. Reported data for equivalent vibration level has a typical statistical dispersion (standard deviation) of 1 m/s².

³ Measured together with 525LK/GC2225C engine unit.

⁴ Reported data for sound pressure level for the machine has a typical statistical dispersion (standard deviation) of 3 dB (A) and has been measured with the original attachment that gives the highest level. Measured together with the 325iLK motor unit.

325iLK + Blower attachment BA101	
Vibration levels ⁵	
Vibration levels at handles, measured according to EN 62841-1, m/s ²	
Equipped with approved accessory (original), left/right m/s	1.6/1.1
Fan performance ⁶	
Maximum air velocity in normal mode with standard nozzle, mph / m/s:	101/45
Air flow in normal mode with standard nozzle, cfm / m ³ /min	495/14

⁵ Reported data for vibration level has a typical statistical dispersion (standard deviation) of 2 m/s². For comparison of vibrations levels, battery and combustion products use vibration calculator. refer to, <https://www.husqvarna.com/uk/services-solutions/vibration-calculator/>. Measured together with the 325iLK motor unit.

⁶ Measured together with 325iLK power unit.

Contenido

Introducción.....	9	Mantenimiento.....	13
Seguridad.....	10	Transporte, almacenamiento y eliminación de residuos.....	14
Funcionamiento.....	13	Datos técnicos.....	14

Introducción

Descripción de la máquina

Husqvarna AB tiene una política de desarrollo continuo de productos y, por lo tanto, se reserva el derecho de modificar el diseño y el aspecto de los productos sin previo aviso.

Tenga en cuenta: Este manual aborda las unidades de alimentación que funcionan tanto con gasolina como con baterías.

Uso previsto

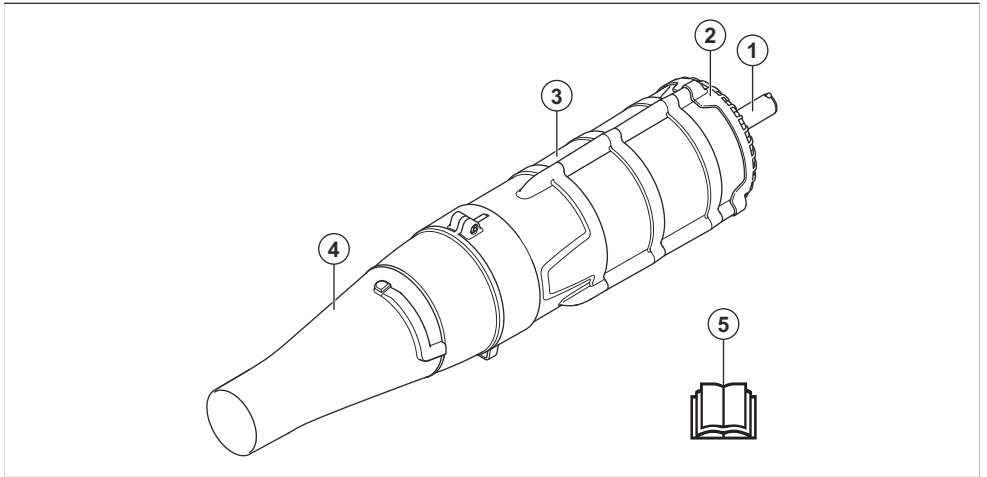


ADVERTENCIA:

Este accesorio solo se puede utilizar junto con la unidad de alimentación prevista. Consulte el capítulo sobre accesorios del manual de usuario de la unidad de alimentación.

El accesorio está diseñado solamente para soplar césped, senderos, caminos de asfalto y similares.

Vista general del accesorio



1. Eje
2. Rejilla de aspiración de aire
3. Carcasa de ventilador
4. Boquilla de aire
5. Manual de usuario

Símbolos que aparecen en el accesorio y en la unidad de potencia



El uso incorrecto o descuidado de este accesorio puede ocasionar lesiones graves o mortales al operador u otras personas.



Lea el manual de instrucciones atentamente y asegúrese de entender las instrucciones antes de utilizar el accesorio.



Utilice protección auditiva, ocular y respiratoria aprobada.



Use guantes protectores homologados.



El operador de la sopladora se debe asegurar de que ninguna persona o animal se acerque a menos de 15 metros. Cuando varios operadores trabajan en el mismo lugar, se debe establecer una distancia de seguridad de, al menos, 15 metros. La sopladora puede echar a volar objetos violentamente que pueden rebotar. Lo anterior puede provocar heridas graves en los ojos si no se utiliza el equipo de seguridad recomendado.

Tenga en cuenta: Otros símbolos o etiquetas en el equipo hacen referencia a requisitos de certificación especiales para ciertos mercados.

Propuesta 65 de California

!ADVERTENCIA!

Los gases de escape del motor de este producto contienen sustancias químicas conocidas en el Estado de California como causantes de cáncer, defectos congénitos y otros daños reproductivos.

Seguridad

Definiciones de seguridad

Las advertencias, precauciones y notas se utilizan para señalar las piezas particularmente importantes del manual del usuario.



ADVERTENCIA: Se utilizan para señalar el riesgo de lesiones graves o mortales para el operador o para aquellos que se encuentren cerca si no se siguen las instrucciones del manual.



AVISO: Se utilizan para señalar el riesgo de dañar el producto o accesorio, otros materiales o el área adyacente si no se respetan las instrucciones del manual.

Tenga en cuenta: Se utilizan para entregar más información necesaria en situaciones particulares.

INSTRUCCIONES DE SEGURIDAD IMPORTANTES



ADVERTENCIA:

Lea todas las advertencias de seguridad y todas las instrucciones. En caso de no seguir las advertencias ni las instrucciones se pueden producir sacudidas eléctricas, incendios o daños graves.

LEA TODAS LAS INSTRUCCIONES ANTES DE UTILIZAR EL APARATO

Lea atentamente el manual de instrucciones y asegúrese de que las entiende antes de utilizar la máquina.



ADVERTENCIA:

Para reducir el riesgo de descarga eléctrica:

no exponga el producto a la lluvia.
Almacene en interiores.

- No permita que se use como un juguete. Se necesita prestar atención cuando lo utiliza un niño o se utiliza cerca de uno.
- Utilice solo como se describe en este manual. Utilice solo accesorios recomendados del fabricante.
- No utilitzar con el cable o el enchufe dañado. Si el aparato no funciona como debiese, se cayó, está dañado, se dejó al aire libre o si se cayó al agua, llévelo a un centro de servicio.
- No manipule el aparato o el enchufe con las manos mojadas.
- No ponga ningún objeto en las aberturas. • No utilice con alguna abertura bloqueada; mantenga libre de polvo, pelusas, pelo y de todo aquello que pueda reducir el flujo de aire.
- Mantenga el cabello, la ropa suelta, los dedos y toda parte del cuerpo lejos de las aberturas y piezas móviles.
- Tenga especial cuidado al limpiar en escaleras.
- No lo utilice para recoger líquidos inflamables o combustibles, como gasolina, ni lo utilice en zonas donde puedan encontrar estos líquidos.

Instrucciones generales de seguridad



ADVERTENCIA: Lea las siguientes instrucciones de seguridad antes de usar el accesorio.

- Lea cuidadosamente el manual de usuario y asegúrese de que entiende las instrucciones antes de utilizar el accesorio.
- Este manual de usuario debe leerse junto con el manual de usuario de la unidad de potencia para obtener toda la información del usuario.
- Bajo ninguna circunstancia puede modificar el diseño del accesorio sin el permiso del fabricante. No utilice un accesorio que parezca haber sido modificado por otras personas y utilice siempre los accesorios originales. Las modificaciones o accesorios no autorizados pueden provocar daños personales o la muerte del operador u otras personas.

Instrucciones de seguridad para el funcionamiento



ADVERTENCIA: Lea estas instrucciones de advertencia antes de usar el producto.

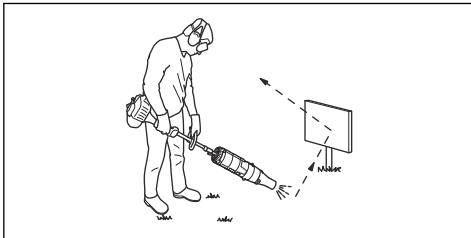


ADVERTENCIA: Este producto genera un campo electromagnético durante su funcionamiento. En determinadas circunstancias, este campo puede interferir

con implantes médicos activos o pasivos. Para reducir el riesgo de daños mortales o graves, recomendamos a las personas con implantes médicos consultar a su médico y al fabricante del implante médico antes de usar este producto.

- No utilice el producto si está cansado o enfermo, si ha bebido alcohol o si consume drogas o medicamentos que puedan afectar la visión, el juicio o la coordinación.
- Nunca utilice un producto que esté defectuoso.
- Todas las cubiertas y protecciones se deben montar antes del uso. Si se trata de un producto que funciona con gasolina, asegúrese de que el sombrero de bujía y el cable de encendido estén en perfecto estado para evitar el riesgo de descarga eléctrica.
- El operador de la sopladora se debe asegurar de que ninguna persona o animal se acerque a menos de 15 metros. Cuando varios operadores trabajan en el mismo lugar, se debe establecer una distancia de seguridad de, al menos, 15 metros.
- Nunca permita que los niños utilicen este producto.
- Nunca permita que otras personas utilicen el producto sin asegurarse primero de que han leído y comprendido el contenido del manual de usuario.
- Nunca quite la rejilla de aspiración de aire.
- Nunca toque la bujía ni el cable de encendido mientras el motor está en marcha. Si toca la bujía o el tapón puede estar expuesto a una descarga eléctrica.
- Comuníquese siempre con las autoridades locales y asegúrese de que sigue las directivas aplicables.
- Mantenga todas las partes del cuerpo lejos de las superficies calientes.
- Si se encuentra en una situación en la que no está seguro de cómo proceder, debe preguntarle a un experto. Comuníquese con el distribuidor o el taller de servicio. Evite todos los usos que considere que están más allá de su capacidad.
- Mantenga la apertura de la sopladora lo más cerca posible del suelo. Utilice la extensión completa del tubo de soplado para mantener la corriente de aire cerca del suelo.
- Utilice la máquina durante las horas laborales habituales para evitar causar molestias innecesarias. Evite trabajar temprano durante la mañana o a altas horas de la noche.
- Tenga presente su entorno. Si alguien se acerca a su área de trabajo, suelte el acelerador o el gatillo de alimentación hasta que la persona se encuentre a una distancia segura. Dirija la sopladora lejos de personas, animales, áreas de juego, ventanas abiertas y autos, etc. La fuerza del aire puede proyectar piedras, suciedad o ramas, lo que puede causar lesiones en personas o animales, romper vidrios o provocar otros daños.

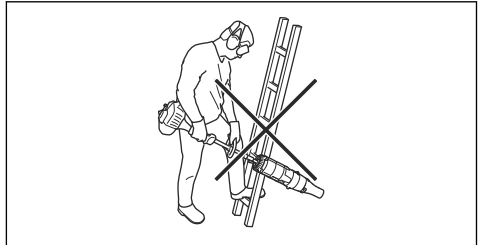
- Para evitar lesiones graves causadas por el propulsor que gira, nunca coloque las manos u otros objetos en la carcasa de la sopladora.
- Mantenga la superficie externa libre de aceite y combustible.
- Nunca use la unidad para esparcir productos químicos, fertilizantes u otras sustancias que puedan contener materiales tóxicos.
- Para evitar la propagación de incendios, no use la unidad cerca de hojas o maleza encendidas, chimeneas, asadores, ceniceros, entre otros.
- Nunca moje ni rocíe el accesorio con agua o cualquier otro líquido.
- Utilice siempre las dos manos para sostener la máquina. Mantenga la máquina a la derecha de su cuerpo.
- Si se trata de un producto que funciona con gasolina, permita que el motor se enfríe antes de recargar combustible.
- Las corrientes de aire fuertes pueden mover objetos a tal velocidad que pueden rebotar y causar lesiones oculares graves.



- Detenga el motor antes de montar o desmontar los accesorios u otras piezas.
- No utilice el producto en condiciones climáticas desfavorables, como niebla densa, lluvia intensa, vientos fuertes o frío intenso, entre otras. Trabajar con mal tiempo es agotador y puede crear condiciones peligrosas, por ejemplo, superficies resbalosas.
- Cerciórese de que puede caminar y mantenerse de pie con seguridad. Revise el área a su alrededor para detectar posibles obstáculos (raíces, piedras, ramas, zanjas, etc.) en caso de que tenga que moverse repentinamente. Tenga sumo cuidado al trabajar en terreno inclinado.



- Nunca deje el producto en el suelo mientras el motor esté funcionando, a menos que lo tenga a la vista.
- Si se trata de un producto que funciona con gasolina, los gases de escape del motor contienen monóxido de carbono, lo que puede provocar intoxicación por monóxido de carbono. Por esta razón no debe encender o utilizar el producto en espacios cerrados o en cualquier lugar que posea una ventilación deficiente.
- La sopladora no debe usarse mientras se esté sobre una escalera o un andamio, ni en lugares de altura (como techos). El trabajo en estas condiciones podría provocar lesiones graves.



- No utilice el producto a menos que sea capaz de pedir ayuda en caso de accidente.
- Nunca coloque objetos en la toma de aire, ya que esto podría restringir el flujo de aire adecuado y provocar daños a la unidad.
- Asegúrese de que el producto no golpee alguna cerca, árbol o cualquier material duro. Esto podría causar daños a la máquina y provocar lesiones graves.
- Preste atención a las señales de advertencia o gritos cuando utilice protectores auriculares. Siempre retire sus protectores auriculares en cuanto se detenga el motor.

Otra información de seguridad

- Evite las zonas peligrosas: no utilice los aparatos en lugares húmedos o mojados.
- No los utilice bajo la lluvia.
- Mantenga a los niños alejados: se debe mantener alejados a todos los visitantes de la zona de trabajo.
- Vístase adecuadamente: no utilice ropa holgada ni joyas. Pueden quedarse atrapadas en piezas móviles. Se recomienda el uso de guantes de goma y calzado resistente cuando se trabaje al aire libre. Use un gorro protector para contener el pelo largo.
- Use gafas de seguridad: utilice siempre protección facial o máscara contra polvo si la operación genera polvo.
- Utilice el aparato de forma adecuada: no utilice el aparato para ningún trabajo que no sea el previsto.
- No sujete los discos de corte o los bordes cortantes expuestos cuando levante o sostenga el aparato.
- No fuerce el aparato: obtendrá mejores resultados y menos probabilidades de sufrir lesiones si lo utiliza a la velocidad para la que fue diseñado.

- No se extienda demasiado: mantenga el equilibrio y el nivel adecuados en todo momento.
- Manténgase alerta: observe lo que hace. Utilice el sentido común. No utilice el aparato si está cansado.
- Almacene los aparatos inactivos en espacios cerrados: cuando no se utilicen, los aparatos se deben almacenar en espacios cerrados, secos, altos o con llave, fuera del alcance de los niños.
- Manipule el aparato con cuidado: mantenga afilado y limpio el borde cortante para obtener un mejor rendimiento y reducir el riesgo de lesiones. Siga las instrucciones de lubricación y cambio de accesorios. Mantenga los mangos secos, limpios y sin grasa ni aceite.
- Revise las piezas dañadas: antes de volver a utilizar el aparato, se debe revisar de forma minuciosa si

una protección u otra pieza presenta daños con el fin de determinar si funciona correctamente y si sirve para su función prevista. Revise la alineación de las piezas móviles, las uniones de piezas móviles, la presencia de piezas rotas, el montaje y cualquier otra condición que pueda afectar su funcionamiento. Una protección u otra pieza que esté dañada se debe reparar o reemplazar adecuadamente en un centro de servicio autorizado, a menos que se indique en otra parte de este manual.

GUARDE ESTAS INSTRUCCIONES

Funcionamiento

Para utilizar el accesorio

Tenga en cuenta: Muestre consideración a las personas en su entorno y evite utilizar la máquina en horas inadecuadas, por ejemplo, tarde durante la noche o temprano durante la mañana. Reduzca los niveles de ruido limitando el número de unidades de equipos que se utilizan de manera simultánea. Lea y siga las sencillas indicaciones, de modo que perturbe lo menos posible su entorno.

1. Utilice un rastrillo o un cepillo para despejar los residuos adheridos al suelo.
2. Limpie las esquinas desde la esquina hacia afuera. Esto permitirá evitar la acumulación de desechos que podrían salir eyectados hacia su rostro.
3. Utilice la sopladora a la menor aceleración posible. Rara vez es necesario utilizar la aceleración máxima, y varios procedimientos de trabajo se pueden realizar a una aceleración media. Una aceleración lenta significa menos ruido y menos polvo, y también permite un mayor control de los residuos recogidos o trasladados.
4. Minimice el tiempo de soplado humedeciendo ligeramente las zonas polvorientas o utilizando un equipo de pulverización.
5. Reduzca el consumo de agua mediante el uso de sopladoras en lugar de mangueras para diversos usos en la zona del jardín y el césped, como en enrejados, mamparas, rejillas, porches, entre otros.
6. Tenga cuidado cuando trabaje cerca de plantas. La fuerza ejercida por el aire podría dañar plantas débiles.
7. La velocidad del chorro de aire se regula mediante el acelerador. Seleccione la velocidad más adecuada para las tareas que realizará.
8. Tenga en cuenta la dirección del viento. Trabaje utilizando el viento a su favor para facilitar el trabajo.
9. El uso de la sopladora para mover grandes pilas requiere mucho tiempo y genera ruido innecesario.
10. Mantenga un buen equilibrio y un punto de apoyo firme.
11. Mantenga la separación entre el tubo y el suelo para evitar el contacto con el suelo cuando trabaje con el producto.
12. Limpie después de utilizar. Asegúrese de que no soplar residuos hacia la propiedad de terceras personas. Deseche los residuos en un contenedor de basura.
13. El producto se debe guardar de manera horizontal después de finalizar el trabajo.

Mantenimiento

Introducción

A continuación encontrará algunas instrucciones generales de mantenimiento. Si necesita más información, comuníquese con su taller de servicio.

Para realizar el mantenimiento diario en el accesorio



ADVERTENCIA:

Siempre detenga el motor antes de realizar cualquier trabajo de limpieza o mantenimiento en el accesorio. Si se trata de un producto que funciona con gasolina,

desconecte el cable de encendido de la bujía. Si se trata de un producto que funciona con baterías, quite la batería.



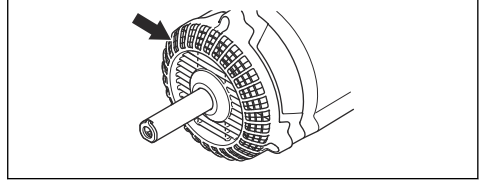
ADVERTENCIA:

Mantenga todas las partes del cuerpo lejos de las superficies calientes.

1. Limpie la superficie exterior de la sopladora.
2. Verifique que las carcasas no tengan grietas.
3. Verifique que el producto se encuentre en perfectas condiciones de funcionamiento.
4. Asegúrese de que todas las tuercas y todos los tornillos estén apretados.
5. Limpie las etiquetas con un paño húmedo con detergente suave.

Para revisar la rejilla de aspiración de aire

1. Verifique cada lado de la máquina, incluida la parte inferior, para asegurar que la toma de aire no se encuentre bloqueada, por ejemplo, por hojas o residuos. Una toma de aire obstruida reduce la capacidad sopladora y aumenta la temperatura de trabajo del motor, lo que puede provocar una falla en el motor. Detenga el motor y retire el objeto.



Transporte, almacenamiento y eliminación de residuos

Transporte y almacenamiento

Lleve a cabo los siguientes pasos después de cada uso:

- Deje que el accesorio se enfríe antes de almacenarlo o transportarlo.
- Guarde la unidad en un lugar alto, seco, fresco y bajo techo, fuera del alcance de los niños.

Almacenamiento de fin de temporada

Prepare el accesorio para guardarlo al final de la temporada o si no se va a utilizar durante 30 días o más. Si va a guardar el accesorio de la sopladora durante un largo periodo:

- Limpie la unidad.

- Inspeccione el accesorio para verificar que no haya piezas sueltas o dañadas. Apriete los tornillos flojos.
- Cambie todas las piezas dañadas, desgastadas o rotas.
- Al comienzo de la siguiente temporada, use únicamente combustible nuevo que tenga la proporción correcta de nafta y aceite.

Eliminación

- Obedezca las regulaciones vigentes y los requisitos de reciclaje locales.
- Cuando el producto se deje de utilizar, envíelo a un distribuidor de Husqvarna o deséchelo en un sitio de reciclaje.

Datos técnicos

Datos técnicos de productos que funcionan con gasolina

BA101	
Peso	
Peso, lb/kg	4,2/1,9
Niveles sonoros ⁷	
Nivel de presión acústica equivalente en el oído del operador, medido según las norma EN15503 dB(A)	99

⁷ El nivel de presión acústica equivalente se calcula considerando un ciclo de trabajo de una duración de 1/7 en ralentí y de 6/7 a régimen de embalamiento. Los datos registrados para el nivel de presión acústica equivalente de la máquina tienen una dispersión estadística típica (desviación estándar) de 1 dB (A).

BA101	
Niveles de vibración ⁸	
Niveles de vibración equivalentes ($a_{hv,eq}$) en los mangos, medidos según la norma EN 15503, m/s^2	
Mango frontal/trasero:	8,3 (5,6)
Rendimiento del ventilador ⁹	
Velocidad máxima del aire con boquilla estándar, mph / m/s:	103/46
Flujo de aire con boquilla estándar, cfm / m^3/min	297/14

Datos técnicos de los productos que funcionan con batería

325iLK + Blower attachment BA101	
Peso	
Peso, lb/kg	2,3/5,1 + 1,9/4,2
Niveles sonoros	
Nivel de presión acústica equivalente en el oído del operador, medido según las normas ISO 26868, dB (A): ¹⁰	
Equipado con un accesorio homologado (original), dB (A)	93
Niveles de vibración ¹¹	
Niveles de vibración en los mangos, medidos según la norma EN 62841-1, m/s^2	
Equipado con un accesorio homologado (original), izquierdo/derecho m/s	1,6/1,1
Rendimiento del ventilador ¹²	
Velocidad máxima del aire en modo normal con boquilla estándar, mph / m/s:	101/45
Flujo de aire en modo normal con boquilla estándar, $m^3/min/cfm$	495/14

⁸ El valor del nivel de vibración equivalente se calcula considerando un ciclo de trabajo de una duración de 1/7 en ralentí y de 6/7 a régimen de embalamiento. Los datos informados para el nivel de vibración equivalente tienen una dispersión estadística típica (desviación estándar) de 1 m/s^2 .

⁹ Medido junto con la unidad de motor 525LK/GC2225C.

¹⁰ Los datos registrados para el nivel de presión acústica de la máquina tienen una dispersión estadística típica (desviación estándar) de 3 dB (A) y se han medido con el accesorio original que proporciona el nivel más alto. Medido en conjunto con la unidad motora 325iLK.

¹¹ Los datos informados en cuanto al nivel de vibración tienen una dispersión estadística típica (desviación estándar) de 2 m/s^2 . Para comparar los niveles de vibraciones de los productos que funcionan a batería y por combustión, utilice la calculadora de vibraciones. Consulte <https://www.husqvarna.com/uk/services-solutions/vibration-calculator/>. Medido en conjunto con la unidad motora 325iLK.

¹² Medido en conjunto con la unidad de alimentación 325iLK.

Table des matières

Introduction.....	16	Entretien.....	21
Sécurité.....	17	Transport, entreposage et mise au rebut.....	21
Fonctionnement.....	20	Caractéristiques techniques.....	21

Introduction

Description du produit

Nous avons une politique de développement continu et nous réservons donc le droit de modifier la conception et l'apparence des produits sans préavis.

Remarque : Ce manuel traite des unités motrices à essence et des unités électriques alimentées par batterie.

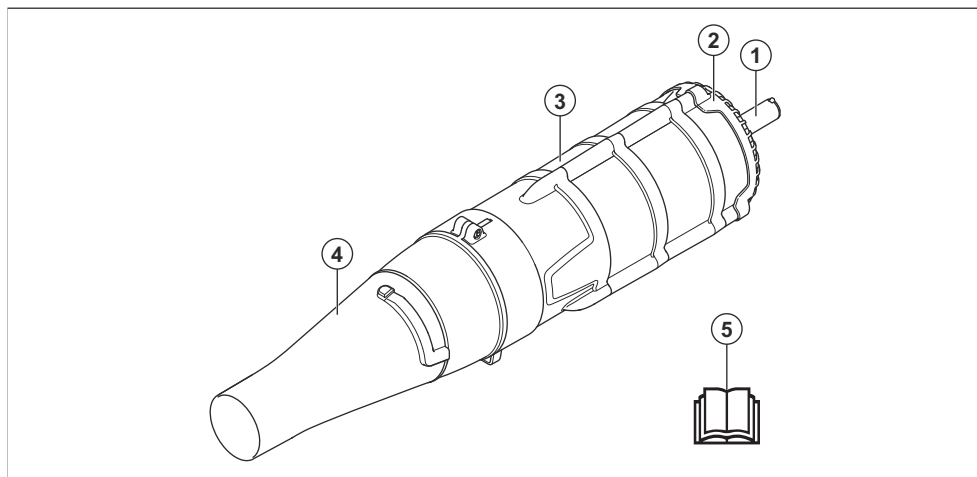
accessoire ne peut être utilisé qu'avec l'unité d'alimentation prévue. Reportez-vous au chapitre relatif aux accessoires du manuel de l'opérateur de l'unité d'alimentation.

L'outil est conçu pour souffler les pelouses, les sentiers, les routes bitumées et d'autres surfaces du même genre.

Utilisation prévue

 **AVERTISSEMENT :** Cet

Aperçu de l'outil



1. Arbre
2. Grille de prise d'air
3. Boîtier du ventilateur
4. Buse d'air
5. Manuel de l'opérateur

Symboles sur l'équipement et sur l'unité d'alimentation



Si l'outil est utilisé de manière insouciante ou non appropriée, cela pourrait causer des blessures graves voire mortelles pour l'utilisateur ou pour d'autres personnes.



Lire attentivement le manuel d'utilisation et veiller à bien comprendre les directives avant d'utiliser l'accessoire.



Utilisez des protège-oreilles, des protections pour les yeux et un masque respiratoire homologués.



Utilisez des gants de protection homologués.



L'opérateur du souffleur doit veiller à ce qu'aucune personne ou aucun animal ne se trouve à moins de 15 mètres. Lorsque plusieurs opérateurs partagent le même lieu de travail, la distance de sécurité doit être de 15 mètres au minimum. L'aspiro-souffleur peut projeter violemment des objets qui peuvent rebondir. Ceci peut provoquer de graves blessures aux yeux si l'équipement de protection personnelle recommandé n'est pas utilisé.

Remarque : Les autres symboles et autocollants apposés sur l'outil se rapportent aux exigences en matière de certification pour certains marchés.

Proposition 65 de la Californie

ATTENTION!

Ce produit contient ou émet un produit chimique qui, d'après l'État de Californie, peuvent causer le cancer, des malformations congénitales ou autre danger pour la reproduction.

Sécurité

Définitions relatives à la sécurité

Les avertissements, recommandations et remarques soulignent des points du manuel d'utilisation qui revêtent une importance particulière.



AVERTISSEMENT : Indique la présence d'un risque de blessure ou de décès de l'utilisateur ou de personnes à proximité si les instructions du manuel ne sont pas suivies.



MISE EN GARDE : Indique la présence d'un risque de dommages au produit ou à l'outil, à d'autres appareils ou à la zone adjacente si les instructions du manuel ne sont pas suivies.

Remarque : Utilisé pour donner des renseignements plus détaillés qui sont nécessaires dans une situation donnée.

CONSIGNES DE SÉCURITÉ IMPORTANTES



AVERTISSEMENT :

Lire toutes les instructions et consignes de sécurité. Le non-respect des consignes et mises en garde peut être à l'origine d'un choc électrique, d'un incendie et/ou de blessures graves.

LIRE TOUTES LES INSTRUCTIONS AVANT D'UTILISER L'APPAREIL

Lisez attentivement et assimilez le manuel d'utilisation avant d'utiliser la machine.



AVERTISSEMENT :

Afin de réduire le risque d'électrocution, ne pas exposer l'outil à la pluie – le ranger à l'intérieur.

- Cet outil ne doit pas être considéré comme un jouet. Porter une attention particulière lors de travaux effectués à proximité d'enfants.
- Utiliser uniquement de la manière décrite dans le présent manuel. Utiliser uniquement les accessoires recommandés par le fabricant.
- Ne pas utiliser si le fil ou la fiche sont endommagés.
 - Si l'appareil ne fonctionne pas comme il le devrait, s'il est tombé, s'il a été endommagé, s'il a été laissé dehors ou s'il est tombé dans l'eau, le rapporter au centre d'entretien.
- Ne pas manipuler la prise ou l'appareil avec les mains humides.
- Ne placez aucun objet dans les orifices. Ne pas utiliser si une ouverture est bloquée. Nettoyer les ouvertures pour éliminer la poussière, les mousses, les poils ou tout ce qui pourrait obstruer le passage de l'air.
- Les cheveux, vêtements amples, doigts et autres parties du corps doivent être tenus à l'écart des ouvertures et des pièces mobiles.
- Faites preuve d'une extrême prudence lors du nettoyage d'escaliers.
- Ne pas utiliser pour ramasser un liquide combustible ou inflammable ou à proximité d'un tel liquide.

Consignes générales de sécurité



AVERTISSEMENT : Lire les instructions de sécurité qui suivent avant d'utiliser l'outil.

- Lire attentivement le manuel de l'opérateur et s'assurer de bien comprendre les instructions avant d'utiliser l'outil.
- Ce manuel de l'opérateur doit être lu avec le manuel de l'opérateur de l'unité d'alimentation pour obtenir les renseignements d'utilisation complets.
- Ne modifiez jamais l'accessoire sans l'autorisation du fabricant. Ne pas utiliser un outil qui semble avoir été modifié par d'autres, et toujours utiliser des accessoires d'origine. Des modifications non autorisées et/ou l'emploi d'accessoires non homologués peuvent provoquer des accidents graves, voire mortels, à l'opérateur ou d'autres personnes.

Consignes de sécurité pour l'utilisation



AVERTISSEMENT : Lire les messages d'avertissement qui suivent avant d'utiliser l'appareil.



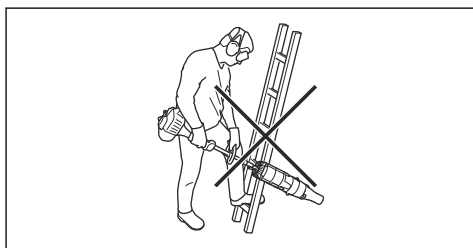
AVERTISSEMENT : Ce produit produit un champ électromagnétique pendant le fonctionnement. Ce champ magnétique peut, dans certains cas, nuire aux implants médicaux actifs ou passifs. Pour réduire le risque de blessures graves ou mortelles, nous recommandons aux personnes ayant des implants médicaux de consulter leur médecin et le fabricant de l'implant médical avant d'utiliser le produit.

- N'utilisez jamais le produit en cas de fatigue, de maladie, d'ingestion d'alcool, de drogues ou de certains médicaments pouvant agir sur la vision, la capacité de jugement ou la coordination.
- N'utilisez jamais un produit s'il est défectueux.
- Tous les couvercles et toutes les protections doivent être montés avant le démarrage. Si le produit fonctionne à l'essence, s'assurer que le capuchon de la bougie d'allumage et le fil d'allumage ne sont pas endommagés, afin d'éviter le risque de décharge électrique.
- L'opérateur du souffleur doit veiller à ce qu'aucune personne ou aucun animal ne se trouve à moins de 15 mètres. Lorsque plusieurs opérateurs partagent le même lieu de travail, la distance de sécurité doit être de 15 mètres au minimum.
- Ne laissez jamais un enfant utiliser le produit.
- Ne laissez jamais d'autres personnes utiliser le produit sans vous être assuré au préalable que ces personnes ont bien lu et compris le contenu du manuel de l'opérateur.
- Ne retirez jamais la grille de prise d'air.
- Ne jamais toucher à la bougie ou au câble d'allumage lorsque le moteur tourne. Si vous touchez à la bougie d'allumage ou à la prise vous pourriez subir un choc électrique.
- Consultez toujours les autorités locales pour vous assurer de respecter les règlements en vigueur.
- Maintenez toutes les parties de votre corps à distance des surfaces chaudes.
- En cas de doute concernant la marche à suivre, consultez un expert. Adressez-vous à votre revendeur ou à votre atelier d'entretien. Évitez les tâches pour lesquelles vous ne vous sentez pas suffisamment qualifié.
- Maintenez l'embout du tube de soufflage le plus près possible du sol. Utilisez toute la longueur du tube de soufflage afin de maintenir le courant d'air proche du sol.

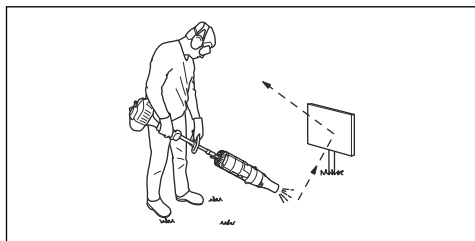
- Utilisez la machine pendant les heures de travail habituelles, afin d'éviter les nuisances inutiles. Évitez de travailler tôt le matin ou tard le soir.
- Soyez conscient de l'environnement qui vous entoure. Si une personne s'approche de la zone de travail, relâcher l'accélérateur ou la gâchette de puissance jusqu'à ce que cette personne se trouve à une distance sécuritaire. Dirigez le souffleur de feuilles loin des personnes, animaux, aires de jeux, fenêtres ouvertes, voitures, etc. La force de l'air peut projeter ou faire ricocher des pierres, des débris ou des bâtons, ce qui peut blesser les personnes ou animaux à proximité, casser les vitres ou causer d'autres dommages.
- Ne mettez jamais les mains ou n'introduisez jamais d'objets à l'intérieur du boîtier du souffleur de feuilles. La turbine en rotation peut être la cause de blessures graves.
- Veillez à ce que les surfaces extérieures soient exemptes de traces d'huile ou de carburant.
- N'utilisez jamais la machine pour l'épandage de produits chimiques, d'engrais ou d'autres substances pouvant contenir des produits toxiques.
- Pour éviter la propagation du feu, n'utilisez pas la machine près de feux de feuilles ou de broussailles, de cheminées, de barbecues, de cendriers, etc.
- N'aspergez jamais l'accessoire avec de l'eau ou un liquide quelconque.
- Tenez en permanence la machine des deux mains. Portez la machine sur le côté du corps.
- Si le produit fonctionne à l'essence, laissez le moteur refroidir avant de faire le plein.
- Le puissant jet d'air peut déplacer des objets à une telle vitesse qu'ils peuvent, en cas de ricochet, causer de graves blessures aux yeux.



- Ne jamais déposer le produit quand le moteur tourne à moins de l'avoir sous les yeux.
- Si le produit fonctionne à l'essence, le gaz d'échappement du moteur contient du monoxyde de carbone, ce qui peut provoquer un empoisonnement au monoxyde de carbone. C'est la raison pour laquelle il ne faut pas démarrer ou utiliser le produit à l'intérieur ou dans un lieu mal aéré.
- Le souffleur de feuilles ne doit pas être utilisé sur des échelles ou des échafaudages, ou d'autres endroits en hauteur (comme sur les toits). Une telle utilisation pourrait provoquer des blessures graves.



- N'utilisez pas le produit s'il n'est pas possible d'appeler au secours en cas d'accident.
- N'introduisez jamais d'objets dans la prise d'air pour ne pas entraver la circulation et causer des dommages à l'appareil.
- S'assurer que le produit n'entre pas en contact avec une clôture, un arbre ou tout autre objet solide. Ceci pourrait endommager la machine et entraîner de graves blessures.
- Restez attentif aux signaux d'alerte ou aux appels lorsque vous portez des protège-oreilles. Enlevez toujours vos protège-oreilles dès que le moteur s'arrête.



- Arrêter le moteur avant de monter ou démonter des accessoires ou d'autres pièces.
- N'utilisez pas le produit par mauvais temps, tel qu'en cas de brouillard épais, de pluie diluvienne, de vent violent, de froid intense, etc. Travailler par mauvais temps est fatigant et peut créer des conditions de travail dangereuses, par exemple les surfaces peuvent être glissantes.
- Assurez-vous de pouvoir vous tenir debout et vous déplacer en toute sécurité. Repérez les éventuels obstacles autour de vous (racines, pierres, branches, fossés, etc.) au cas où vous devriez vous déplacer soudainement. Faire très attention pendant le travail sur une pente.

Autres renseignements relatifs à la sécurité

- Éviter les environnements dangereux – ne pas utiliser d'appareils dans des endroits humides ou mouillés.
- Ne pas utiliser sous la pluie.
- Tenir à l'écart des enfants – tous les visiteurs doivent être tenus à bonne distance de la zone de travail.
- S'habiller convenablement – ne jamais porter de vêtements amples ou de bijoux. Ils peuvent se

coincer dans les pièces mobiles. Il est recommandé de porter des gants en caoutchouc et des chaussures robustes pour travailler à l'extérieur. Le cas échéant, portez un couvre-chef pour couvrir les cheveux longs.

- Porter des lunettes de sécurité – toujours porter un masque à poussière en cas d'utilisation de l'appareil en milieu poussiéreux.
- Utiliser le bon appareil – ne pas utiliser un appareil pour une autre tâche que celle à laquelle il est destiné.
- Ne pas saisir les disques découpeurs exposés ou les bords coupants en ramassant ou en tenant l'appareil.
- Ne pas forcer l'appareil – il offre de meilleurs résultats et le travail est effectué de façon plus sécuritaire s'il tourne au régime pour lequel il a été conçu.
- Ne pas se pencher trop en avant – garder l'équilibre et un bon appui au sol en tout temps.
- Rester vigilant – regarder ce que l'on fait. Faire preuve de bon sens. Ne pas faire fonctionner l'appareil en cas de fatigue.
- Ranger les appareils inutilisés à l'intérieur – lorsqu'ils ne sont pas utilisés, les appareils doivent être

rangés à l'intérieur, dans un endroit sec et en hauteur ou fermé à clé, hors de portée des enfants.

- Entretien de l'appareil avec soin – garder le bord coupant bien affûté et propre pour obtenir des performances optimales et réduire les risques de blessures. Respecter les instructions concernant la lubrification et le changement des accessoires. Les poignées doivent toujours être propres, sèches et sans traces d'huile ni de graisse.
- Vérifier les pièces endommagées – avant toute utilisation de l'appareil, il convient de vérifier soigneusement qu'une protection ou toute autre pièce endommagée fonctionne correctement et remplit sa fonction prévue. Vérifier l'alignement des pièces mobiles, le grippage des pièces mobiles, la rupture de pièces, le montage et tout autre état susceptible de nuire au fonctionnement de l'appareil. Une protection ou toute autre pièce endommagée doit être réparée ou remplacée adéquatement par un centre d'entretien autorisé, sauf indication contraire dans ce manuel.

CONSERVER CES INSTRUCTIONS

Fonctionnement

Utilisation de l'outil

Remarque : Respecter les personnes qui se trouvent dans l'entourage en évitant d'utiliser la machine à des heures indues, par exemple tard le soir ou tôt le matin. Réduire les niveaux de bruit en limitant le nombre d'appareils utilisés simultanément. Lire attentivement et suivre les conseils simples présentés ci-dessous afin de déranger les voisins le moins possible.

1. Utiliser un râteau ou un balai pour dégager les débris coincés dans le sol.
2. Nettoyer les coins, en partant des coins vers l'extérieur. Ceci permettra d'éviter l'accumulation de débris qui pourraient être projetés dans le visage.
3. Utilisez l'aspiro-souffleur au plus bas régime ou à la plus basse vitesse possible. Il est rarement nécessaire d'utiliser l'outil à plein régime ou à pleine vitesse, et plusieurs procédures de travail peuvent se faire à demi-régime ou demi-vitesse. Un plus petit régime ou une vitesse moins grande signifie moins de bruit et de poussière, et il est également plus facile de garder le contrôle sur les détritiques que vous entassez ou déplacez.
4. Réduire la durée de soufflage en humidifiant légèrement les zones poussiéreuses ou en utilisant un pulvérisateur.

5. Réduire la consommation d'eau en utilisant un aspiro-souffleur plutôt que des boyaux à eau pour différentes tâches sur la pelouse et dans le jardin, telles que les treillis, les filtres, les grilles, les vérandas, etc.
6. Faites preuve de prudence lorsque vous travaillez près de plantes. La force de l'air pourrait endommager les jeunes plantes.
7. La vitesse du jet d'air se règle à l'aide de la commande d'accélération ou gâchette de puissance. Sélectionner la vitesse la mieux adaptée à la tâche en cours.
8. Tenir compte de la direction du vent. Le travail est plus facile s'il est effectué dans la direction du vent.
9. L'utilisation du souffleur pour déplacer des monticules importants prend beaucoup de temps et génère un bruit inutile.
10. Se tenir bien campé et en parfait équilibre.
11. S'assurer de maintenir une distance suffisante entre le tube et la surface du sol pour éviter tout contact avec celui-ci lorsque le produit fonctionne.
12. Nettoyer une fois le travail terminé. S'assurer que des débris n'ont pas été accidentellement projetés dans le jardin d'un voisin. Jeter les débris dans une poubelle.
13. Une fois le travail terminé, le produit doit être rangé en position horizontale.

Entretien

Introduction

Vous trouverez ci-dessous quelques instructions d'entretien général. Pour obtenir des renseignements supplémentaires, communiquez avec votre atelier d'entretien.

Entretien quotidien de l'outil



AVERTISSEMENT :

Arrêtez toujours le moteur avant d'effectuer tout nettoyage ou entretien de l'équipement. Si le produit fonctionne à l'essence, débranchez le câble d'allumage de la bougie. Si le produit fonctionne à batterie, retirez la batterie.



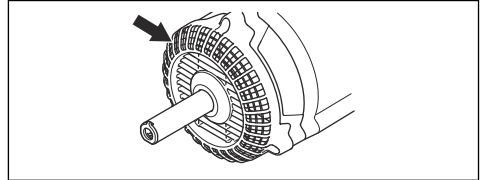
AVERTISSEMENT :

Tenez toute partie du corps à l'écart des surfaces chaudes.

1. Nettoyez la surface extérieure de l'aspiro-souffleur.
2. Assurez-vous que tous les carters sont exempts de fissures.
3. Vérifiez que le produit est en parfait état d'utilisation.
4. Assurez-vous que l'ensemble des vis et des écrous sont bien serrés.
5. Nettoyez les étiquettes au moyen d'un chiffon humide et d'un détergent doux.

Vérification de la grille de prise d'air

1. Vérifiez que la prise d'air n'est pas obstruée (par des feuilles ou des déchets p. ex.) sur tous les côtés de la machine. Si la prise d'air est obstruée, la capacité de soufflage du produit diminue et la température de fonctionnement du moteur augmente, ce qui peut entraîner la défaillance du moteur. Arrêtez le moteur et dégagez l'obstruction.



Transport, entreposage et mise au rebut

Transport et entreposage

Effectuer les étapes suivantes après chaque utilisation :

- Laissez refroidir le moteur avant de ranger l'appareil.
- Entrez le produit dans un endroit intérieur frais et sec, hors de portée des enfants.

Remisage saisonnier

Préparez l'appareil pour le remisage en fin de saison ou s'il ne sera pas utilisé pendant plus d'un mois. Si vous allez entreposer l'accessoire de soufflante pendant une longue période :

- Nettoyer l'appareil.
- Inspectez l'accessoire pour détecter les pièces desserrées ou endommagées. Serrez toutes les vis desserrées.

- Remplacer toute pièce endommagée, usée ou brisée.
- Au début de la saison suivante, n'utiliser que du carburant neuf affichant le rapport approprié d'essence et d'huile.

Mise au rebut

- Respecter les exigences locales en matière de recyclage et la réglementation en vigueur.
- Lorsqu'on n'utilise plus le produit, l'envoyer à un détaillant Husqvarna ou le mettre au rebut à un emplacement de recyclage.

Caractéristiques techniques

Caractéristiques techniques des produits à essence

BA101
Poids

BA101	
Poids, lb/kg	4,2/1,9
Niveaux sonores ¹³	
Niveau de pression sonore équivalent à l'oreille de l'utilisateur mesuré selon la norme EN15503, dB(A)	99
Niveaux de vibrations ¹⁴	
Niveaux de vibrations équivalents ($a_{hv,eq}$) au niveau des poignées, mesurés selon la norme EN 15503, en m/s^2	
Poignées avant et arrière :	5,6/8,3
Rendement du ventilateur ¹⁵	
Vitesse maximale de l'air avec buse standard, m/h / m/s :	103/46
Débit d'air avec buse standard, pi^3/min / m^3/min	297/14

Données techniques des produits à batterie

325iLK + Blower attachment BA101	
Poids	
Poids, lb/kg	5,1/2,3, +4,2/1,9
Niveaux sonores	
Niveau de pression sonore à l'oreille de l'utilisateur mesuré selon la norme ISO 26868, dB (A) ¹⁶	
Doté des accessoires homologués (d'origine), dB(A)	93
Niveaux de vibrations ¹⁷	
Niveaux de vibration aux poignées, mesurés selon la norme EN 62841-1, m/s^2	
Doté des accessoires approuvés (d'origine), gauche/droite m/s	1,6/1,1
Rendement du ventilateur ¹⁸	
Vitesse maximale de l'air en mode normal pour la buse standard, m/h / m/s :	101/45

¹³ Le niveau de pression sonore équivalent est calculé lors d'un cycle de travail d'une durée de 1/7 au ralenti et de 6/7 à plein régime. Les données se rapportant à la pression sonore équivalente de la machine présentent une dispersion statistique type (écart standard) de 1 dB (A).

¹⁴ Le niveau de vibration équivalent est calculé lors d'un cycle de travail d'une durée de 1/7 au ralenti et de 6/7 à plein régime. Les données reportées pour le niveau de vibrations équivalent montrent une dispersion statistique typique (déviat ion standard) de 1 m/s^2 .

¹⁵ Mesuré avec le moteur 525LK/GC2225C.

¹⁶ Les données reportées pour le niveau de pression acoustique de la machine ont une dispersion statistique typique (déviat ion standard) de 3 dB (A) et ont été mesurées avec l'équipement d'origine qui donne le niveau le plus élevé. Mesuré avec le moteur 325iLK.

¹⁷ Les données reportées pour le niveau de vibrations montrent une dispersion statistique typique (déviat ion standard) de 2 m/s^2 . Pour comparer les niveaux de vibrations, la batterie et les produits à combustion, utiliser le calculateur de vibrations, consultez le site <https://www.husqvarna.com/uk/services-solutions/vibration-calculator/>. Mesuré avec le moteur 325iLK.

¹⁸ Mesuré avec l'unité électrique 325iLK.

325iLK + Blower attachment BA101Débit d'air en mode normal avec buse standard, pcm / m³/min

495/14

Sommario

Introduzione.....	24	Manutenzione.....	28
Sicurezza.....	25	Trasporto, stoccaggio e smaltimento.....	29
Utilizzo.....	28	Dati tecnici.....	29

Introduzione

Descrizione del prodotto

Procediamo costantemente allo sviluppo dei nostri prodotti e ci riserviamo quindi il diritto di apportare, senza alcun preavviso, modifiche riguardanti fra l'altro la forma e l'aspetto esteriore.

Nota: Questo manuale tratta unità a benzina e a batteria.

Uso previsto

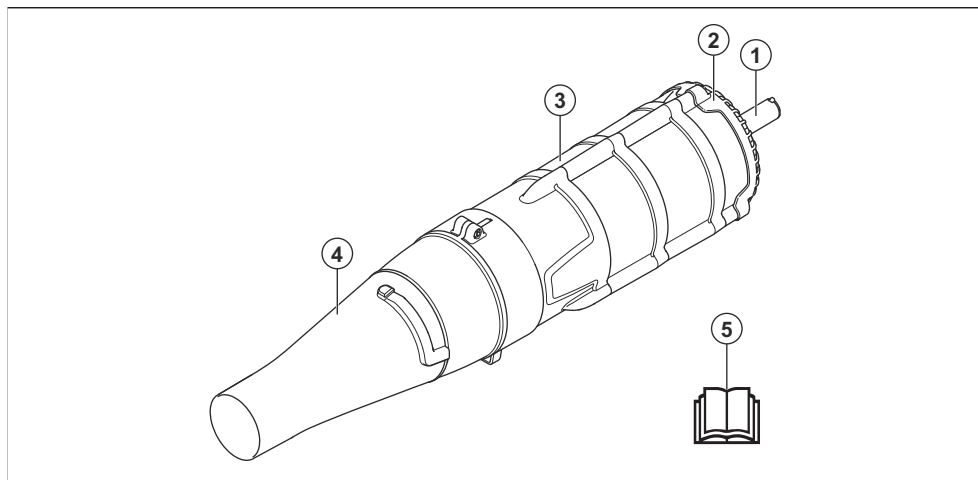


AVVERTENZA:

Questo accessorio può essere utilizzato solo insieme al gruppo di potenza per cui è stato concepito. Vedere il capitolo relativo agli accessori nel manuale operatore del gruppo di potenza.

Questo accessorio è progettato per spazzare prati, vialetti, strade asfaltate e simili.

Panoramica dell'accessorio



1. Albero
2. Retina della presa dell'aria
3. Carter ventola
4. Bocchetta dell'aria
5. Manuale dell'operatore



Prima di usare l'accessorio, leggere attentamente il manuale dell'operatore e accertarsi di averne compreso il contenuto.



Simboli su accessorio e unità:



L'uso negligente o improprio di questo accessorio può provocare lesioni gravi o mortali all'operatore o a terzi.



Utilizzare protezioni approvate per l'udito, gli occhi e la respirazione.



Utilizzare guanti protettivi omologati.



L'operatore del soffiatore deve assicurarsi che non vi siano persone o animali nel raggio di 15 metri. Anche più operatori che lavorino contemporaneamente nello stesso luogo devono mantenere tra loro una distanza di sicurezza non inferiore a 15 metri. Il soffiatore può urtare violentemente oggetti che possono rimbalzare, causando seri danni agli occhi se non vengono usati i dispositivi di sicurezza consigliati.

California Proposition 65

WARNING!

The engine exhaust from this product contains chemicals known to the State of California to cause cancer, birth defects or other reproductive harm.

Nota: I restanti simboli/decalcomanie applicati sull'accessorio riguardano particolari requisiti necessari per ottenere la certificazione in alcuni mercati.

Sicurezza

Definizioni di sicurezza

I simboli di avvertenza e cautela e le note vengono utilizzati per evidenziare le parti importanti del manuale dell'operatore.



AVVERTENZA: Utilizzato se è presente un rischio di lesioni o morte dell'operatore o di passanti nel caso in cui le istruzioni del manuale non vengano rispettate.



ATTENZIONE: Utilizzato se è presente un rischio di danni al prodotto e/p all'accessorio, ad altri materiali oppure alla zona adiacente nel caso in cui le istruzioni del manuale non vengano rispettate.

Nota: Utilizzato per fornire ulteriori informazioni necessarie in una determinata situazione.

ISTRUZIONI DI SICUREZZA IMPORTANTI



AVVERTENZA:
Leggere attentamente tutte le avvertenze e le istruzioni di sicurezza. La mancata

osservanza delle avvertenze e delle istruzioni può dare luogo a scosse elettriche, incendi e/o gravi lesioni.

LEGGERE TUTTE LE ISTRUZIONI PRIMA DI UTILIZZARE L'APPARECCHIO

Prima di usare il macchinario, leggere attentamente il Manuale dell'operatore e accertarsi di averne compreso il contenuto.



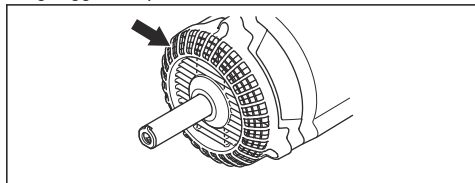
AVVERTENZA:

Per ridurre il rischio di scosse elettriche, non esporre a pioggia - Conservare in ambienti chiusi.

- Non consentire l'utilizzo della macchina come un giocattolo. È necessario prestare la massima attenzione quando viene utilizzata da bambini o in prossimità di questi.
- Utilizzare solo come descritto nel presente manuale.
 - Utilizzare solo gli accessori raccomandati dal costruttore.
- Non utilizzare la macchina quando presenta danni al filo o alla spina. Se l'apparecchio non funziona come dovrebbe, se è stato fatto cadere, presenta danni, se è stato lasciato all'aperto, o è caduto in acqua, portarlo in un centro di assistenza.
- Non toccare la spina o l'apparecchio con le mani bagnate.

Controllo della retina della presa dell'aria

1. Controllare che la presa d'aria non sia intasata sui lati e nella parte inferiore da foglie, sporcizia ecc. Una presa d'aria intasata riduce la capacità di soffiaggio del prodotto e aumenta la temperatura di lavoro del motore/motorino, con conseguenti danni agli stessi. Spegnerne il motore/motorino e rimuovere gli oggetti in questione.



Trasporto, stoccaggio e smaltimento

Trasporto e rimessaggio

Eseguire le seguenti operazioni dopo ciascun utilizzo:

- Fare raffreddare l'accessorio prima di riporlo o trasportarlo.
- Conservare in un locale fresco, secco, al coperto e in una posizione elevata, fuori dalla portata dei bambini.

Conservazione stagionale

Preparare l'accessorio prima di riporlo alla fine della stagione o se non si prevede di utilizzarlo per 30 giorni o più. Se non si intende utilizzare l'accessorio del soffiatore per un lungo periodo di tempo:

- Pulire l'unità.

- Controllare che nell'accessorio non vi siano parti allentate o danneggiate. Serrare eventuali viti allentate.
- Sostituire eventuali parti danneggiate, usurate o rotte.
- All'inizio della stagione successiva, utilizzare solo benzina nuova alla concentrazione corretta.

Smaltimento

- Rispettare le norme locali sul riciclaggio e le normative vigenti.
- Quando il prodotto non è più in uso, inviarlo a un rivenditore Husqvarna o smaltirlo presso un impianto di riciclo.

Dati tecnici

Dati tecnici dei prodotti a benzina

BA101	
Peso	
Peso, lb/kg	4,2/1,9
Livelli di rumorosità ¹⁹	
Livello di pressione acustica equivalente, all'udito dell'utente, misurato secondo EN15503 dB(A)	99

¹⁹ Il valore del livello di pressione acustica equivalente viene calcolato con un ciclo di lavoro della durata di 1/7 al minimo e 6/7 in velocità. I dati riportati per il livello di pressione acustica equivalente del macchinario hanno una dispersione statistica tipica (deviazione standard) di 1 dB (A).

BA101	
Livelli di vibrazioni ²⁰	
Livelli di vibrazione equivalenti ($a_{hv,eq}$) sulle impugnature, misurati in base alla norma EN 15503, m/s^2	
Impugnature anteriori/posteriori:	5,6/8,3
Prestazioni della ventola ²¹	
Velocità massima dell'aria con bocchetta standard, mph / m/s:	103/46
Flusso d'aria con bocchetta standard, cfm / m^3/min	297/14

Dati tecnici dei prodotti a batteria

325iLK + Blower attachment BA101	
Peso	
Peso, lb/kg	5,1/2,3,+4,2/1,9
Livelli di rumorosità	
Livello di pressione acustica rispetto all'udito dell'operatore, misurato in base alle norme ISO 26868, dB(A) ²²	
Accessorio approvato (originale) in dotazione, dB (A)	93
Livelli di vibrazioni ²³	
Livelli di vibrazioni delle impugnature, misurati in base alla norma EN 62841-1, m/s^2	
Accessorio approvato (originale) in dotazione, sinistra/destra m/s	1,6/1,1
Prestazioni della ventola ²⁴	
Velocità massima dell'aria in modalità normale con ugello standard, mph / m/s:	101/45
Flusso d'aria con ugello standard in modalità normale, cfm / m^3/min	495/14

²⁰ Il valore del livello di vibrazioni equivalente viene calcolato con un ciclo di lavoro della durata di 1/7 al minimo e 6/7 in velocità. I dati riportati per il livello di vibrazioni equivalenti hanno una dispersione statistica tipica (deviazione standard) di $1 m/s^2$.

²¹ Misurazione effettuata insieme con il gruppo motore 525LK/GC2225C.

²² I dati riportati relativi al livello di pressione acustica della macchina hanno una tipica dispersione statistica (deviazione standard) di 3 dB (A) e sono stati misurati con il gruppo di taglio originale che fornisce il massimo livello. Misurazione effettuata insieme al gruppo motore 325iLK.

²³ I dati riportati per il livello di vibrazioni presentano una dispersione statistica tipica (deviazione standard) di 2 m/s^2 . Per il confronto dei livelli di vibrazioni, della batteria e dei prodotti a combustione, utilizzare il calcolatore delle vibrazioni. Fare riferimento al sito Web <https://www.husqvarna.com/uk/services-solutions/vibration-calculator/>. Misurazione effettuata insieme al gruppo motore 325iLK.

²⁴ Misurazione effettuata insieme al gruppo di potenza 325iLK.

- Non inserire alcun oggetto nelle aperture. Non usare la macchina con le aperture ostruite; tenere la macchina libera di polvere, filacci, capelli e tutto ciò che può ridurre il flusso dell'aria.
- Tenere i capelli, gli abiti larghi, le dita e tutte le parti del corpo lontano da aperture e parti in movimento.
- Prestare particolare attenzione durante la pulizia sulle scale.
- Non utilizzare la macchina per raccogliere liquidi infiammabili o combustibili, quali benzina, o in aree dove possono essere presenti.

Istruzioni di sicurezza generali



AVVERTENZA: Leggere le seguenti istruzioni di sicurezza prima di utilizzare l'accessorio.

- Prima di usare l'accessorio, leggere attentamente il manuale dell'operatore e accertarsi di averne compreso il contenuto.
- Per ottenere informazioni complete per l'utente, il presente manuale dell'operatore deve essere letto insieme al manuale operatore del gruppo di potenza.
- Evitare assolutamente di modificare la versione originale dell'accessorio senza l'autorizzazione del fabbricante. Non utilizzare un accessorio che sembra essere stato modificato da altri e utilizzare sempre gli accessori originali. Modifiche e/o accessori non autorizzati possono causare gravi lesioni personali o mortali all'operatore o a terzi.

Istruzioni di sicurezza per il funzionamento



AVVERTENZA: Leggere le seguenti avvertenze prima di utilizzare il prodotto.



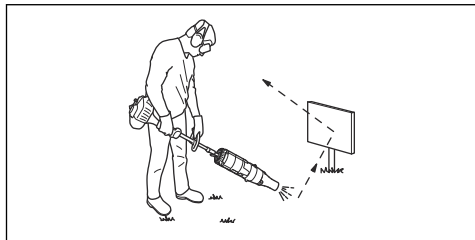
AVVERTENZA: Durante il funzionamento, questo prodotto genera un campo elettromagnetico. Tale campo può interferire, in alcuni casi, con persone portatrici di impianti medici attivi o passivi. Per ridurre il rischio di condizioni che possono implicare lesioni personali gravi o mortali, i portatori di tali impianti devono consultare il proprio medico e il produttore dell'impianto prima di utilizzare questo prodotto.

- Non utilizzare mai il prodotto in condizioni di stanchezza oppure sotto l'effetto di alcolici, stupefacenti o farmaci in grado di alterare la vista, la capacità di valutazione o la coordinazione.
- Non usare mai un prodotto difettoso.
- Tutti i carter e le protezioni devono essere montati prima dell'avviamento. Se si dispone di un prodotto a benzina, accertarsi che il cappuccio per spina

della candela e il cavo di accensione non siano danneggiati per evitare il rischio di scosse elettriche.

- L'operatore del soffiatore deve assicurarsi che non vi siano persone o animali nel raggio di 15 metri. Anche più operatori che lavorino contemporaneamente nello stesso luogo devono mantenere tra loro una distanza di sicurezza non inferiore a 15 metri.
- Non permettere che il prodotto sia utilizzato da bambini.
- Non consentire mai ad altri l'utilizzo del prodotto senza accertarsi che abbiano letto e capito il contenuto del manuale dell'operatore.
- Non rimuovere mai la retina della presa d'aria.
- Non toccare mai la candela o il cavo di accensione mentre il motore è in funzione. Toccare la candela o la spina può provocare una scossa elettrica.
- Verificare con le autorità locali la normativa vigente.
- Tenere le parti del corpo lontano dalle superfici roventi.
- Se si è incerti riguardo a come procedere, rivolgersi a un esperto. Contattare il proprio rivenditore o l'officina di assistenza. Evitare qualsiasi lavoro per il quale non ci si sente sufficientemente qualificati.
- Tenere la bocchetta del soffiatore il più possibile vicino al suolo. Utilizzare l'intera lunghezza del tubo di soffiaggio per tenere il flusso d'aria il più vicino possibile al suolo.
- Utilizzare la macchina durante le normali ore di lavoro per evitare disturbi inutili. Evitare di utilizzare al mattino presto o a notte inoltrata.
- Prestare attenzione all'ambiente circostante. Se qualcuno si avvicina alla zona di lavoro, rilasciare l'acceleratore o la leva di comando fino a quando la persona in questione non è a distanza di sicurezza. Dirigere il soffiatore lontano da persone, animali, parchi giochi, finestre aperte, autovetture ecc. La forza dell'aria può produrre il lancio o il rimbalzo di pietre, rifiuti o rami che possono provocare lesioni a persone o animali, oppure la rottura di vetri o altri danni.
- Non inserire mai le mani o altri oggetti nell'alloggiamento del soffiatore per evitare gravi lesioni con la ventola girante.
- Mantenere pulita la superficie esterna da olio e carburante.
- Non utilizzare mai sostanze chimiche, fertilizzanti o altre sostanze che potrebbero contenere materiali tossici.
- Per evitare il propagarsi di incendi, non utilizzare il prodotto in prossimità di fuochi accesi con foglie o cespugli, caminetti, barbecue, posacenere, ecc.
- Non bagnare né iniettare nell'accessorio acqua o altri liquidi.
- Tenere sempre la macchina con entrambe le mani. Tenere la macchina lateralmente rispetto al corpo.
- Se si dispone di un prodotto a benzina, lasciare raffreddare il motore prima di effettuare il rifornimento.

- I flussi d'aria hanno un'intensità in grado di spostare gli oggetti a una velocità tale da far sì che possano rimbalzare provocando gravi lesioni agli occhi.



- Spegner il motore/motorino prima di montare o smontare gli accessori o altre parti.
- Non utilizzare il prodotto in condizioni di tempo sfavorevoli, ad esempio nebbia, pioggia intensa, vento forte, freddo intenso, ecc. Lavorare con tempo cattivo è spesso stancante e comporta situazioni di rischio, come ad esempio il terreno scivoloso.
- Accertarsi di poter camminare e lavorare in sicurezza. In caso di spostamenti, controllare che non vi siano ostacoli (ceppi, radici, rami, fossati ecc.) Fare particolare attenzione quando si lavora su terreni in pendenza.



- Non poggiare mai il prodotto a motore/motorino acceso se non lo si può tenere d'occhio.
- Se si dispone di un prodotto a benzina, i gas di scarico del motore contengono monossido di carbonio che può causare avvelenamenti. Per questo motivo, non azionare e non usare mai il prodotto all'interno, o in ambienti con scarsa circolazione dell'aria.
- Non utilizzare il soffiatore su scale o ponteggi o da posizioni elevate (ad esempio, tetti). Simili attività possono comportare lesioni gravi.



- Non utilizzare il prodotto se non si è certi di poter chiedere aiuto in caso d'infortunio.
- Non inserire mai oggetti nell'apertura della presa d'aria poiché in questo modo si potrebbe limitare il corretto flusso dell'aria e danneggiare l'unità.
- Assicurarsi che il prodotto non colpisca recinzioni, alberi o altri materiali duri. Ciò può provocare danni alla macchina e causare gravi lesioni.
- Far sempre attenzione a segnali di allarme o chiamate quando si utilizzano le cuffie protettive. Togliere sempre le cuffie protettive immediatamente all'arresto del motore/motorino.

Altre informazioni sulla sicurezza

- Evitare ambienti pericolosi: non utilizzare l'attrezzatura in ambienti umidi o bagnati.
- Non utilizzare sotto la pioggia.
- Tenere i bambini lontani: tutti i visitatori devono essere tenuti a distanza dall'area di lavoro.
- Indossare abiti idonei: non indossare abiti troppo ampi o gioielli. Potrebbero rimanere impigliati nelle parti in movimento. L'uso di guanti di gomma e calzature robuste è consigliato quando si lavora all'aperto. Indossare una cuffia protettiva per raccogliere i capelli lunghi.
- Utilizzare occhiali protettivi: utilizzare sempre una mascherina protettiva in ambienti polverosi.
- Utilizzare l'attrezzatura giusta; non utilizzare l'attrezzatura per lavori diversi da quelli per cui è stata progettata.
- Non afferrare le lame o i bordi taglienti esposti quando si solleva o si tiene l'apparecchio.
- Non forzare l'attrezzatura: svolgerla meglio il lavoro, con minori rischi di lesioni, se usata alla velocità per cui è stata progettata.
- Non sporgersi: assumere una posizione sicura e mantenere sempre l'equilibrio.
- Prestare attenzione: concentrarsi sull'attività che si sta svolgendo. Usare il buon senso. Non utilizzare l'attrezzatura quando si è stanchi.
- Riporre l'attrezzatura al coperto quando non viene utilizzata; conservarla al chiuso in un luogo asciutto, elevato o chiuso con una serratura, fuori dalla portata dei bambini.
- Effettuare la manutenzione dell'attrezzatura con cautela: mantenere il bordo tagliente affilato e pulito per garantire prestazioni ottimali e ridurre il rischio di lesioni. Seguire le istruzioni per la lubrificazione e la sostituzione degli accessori. Mantenere le mani asciutte, pulite e prive di olio e grasso.
- Controllare le parti danneggiate: prima di continuare a utilizzare l'attrezzatura, controllare attentamente la protezione o un'altra parte danneggiata per stabilire che funzioni correttamente e svolga la funzione per cui è stata concepita. Verificare che le parti in movimento siano allineate e fissate correttamente, che non vi siano parti o supporti rotti e controllare eventuali condizioni che potrebbero comprometterne il funzionamento. Una

protezione o un'altra parte danneggiata deve essere adeguatamente riparata o sostituita da un'officina autorizzata salvo diversamente indicato nel presente manuale.

CONSERVARE LE PRESENTI ISTRUZIONI

Utilizzo

Utilizzo dell'accessorio

Nota: Rispettare l'ambiente circostante evitando di usare la macchina ad orari inadeguati, ad esempio la sera o la mattina presto. Riduce il livello di rumore limitando il numero di unità dell'attrezzatura utilizzate contemporaneamente. Leggere e seguire le semplici istruzioni elencate qui di seguito per disturbare il meno possibile l'ambiente che vi circonda.

1. Usare un rastrello o una scopa per staccare dal suolo il materiale incastrato.
2. Pulire gli angoli partendo dai bordi e spostandosi verso l'esterno. In questo modo si evita di ammassare detriti che potrebbero venire sollevati e scagliati sul viso.
3. Usare il soffiatore con l'accelerazione o la velocità minima possibile. Sono rari i casi in cui è necessario usare il prodotto a pieno regime o con l'acceleratore al massimo e molte procedure di lavoro possono essere eseguite con un'accelerazione/velocità media. Un'accelerazione/velocità moderata implica un minor livello di rumore e di polvere e consente inoltre maggior controllo sul materiale da raccogliere/ spostare.
4. Ridurre al minimo il tempo di soffiatura inumidendo leggermente le aree polverose o utilizzando l'attrezzatura spray.
5. Ridurre il consumo di acqua utilizzando soffiatori al posto di tubi dell'acqua per differenti applicazioni, intorno al prato e al giardino, come graticci, protezioni, griglie, verande ecc.
6. Fare attenzione quando si lavora nelle vicinanze di piante. La forza dell'aria può danneggiare le piante meno resistenti.
7. La velocità del getto d'aria si regola con l'acceleratore o la leva di comando. Selezionare la velocità più adatta all'applicazione specifica.
8. Tenere in considerazione la direzione del vento. Evitare di lavorare controvento per alleggerire le operazioni.
9. Evitare di spostare masse voluminose con l'uso del soffiatore: è un'operazione lunga ed inutilmente rumorosa.
10. Mantenere una posizione ben salda ed equilibrata.
11. Mantenere una distanza adeguata tra il tubo e il pavimento per evitare il contatto con il suolo quando si lavora con il prodotto.
12. Ripulire la zona di lavoro dopo l'operazione e accertarsi di non aver spinto parte del materiale in zone di proprietà privata. Gettare i rifiuti in un cassonetto.
13. Al termine del lavoro, riporre il prodotto in posizione orizzontale.

Manutenzione

Introduzione

Seguono alcuni consigli di manutenzione. Se avete bisogno di ulteriori informazioni contattate il servizio di assistenza.

Manutenzione giornaliera del prodotto



AVVERTENZA:

Arrestare sempre il motore/motorino prima di pulire l'accessorio o effettuare la manutenzione. Se si dispone di un prodotto azionato a benzina, scollegare il cavo di accensione dalla candela. Se si dispone di un prodotto azionato a batteria, rimuovere la batteria.



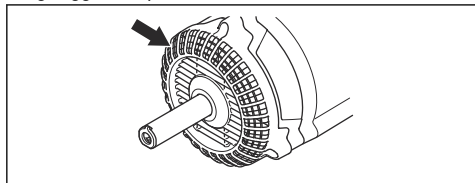
AVVERTENZA:

Tenere le parti del corpo lontano dalle superfici roventi.

1. Pulire la superficie esterna del soffiatore.
2. Assicurarsi che l'intero alloggiamento sia privo di crepe.
3. Assicurarsi che il prodotto sia in perfette condizioni.
4. Assicurarsi che i dadi e le viti siano serrati correttamente.
5. Pulire le etichette con un panno umido imbevuto di detergente delicato.

Controllo della retina della presa dell'aria

1. Controllare che la presa d'aria non sia intasata sui lati e nella parte inferiore da foglie, sporcizia ecc. Una presa d'aria intasata riduce la capacità di soffiaggio del prodotto e aumenta la temperatura di lavoro del motore/motorino, con conseguenti danni agli stessi. Spegnerne il motore/motorino e rimuovere gli oggetti in questione.



Trasporto, stoccaggio e smaltimento

Trasporto e rimessaggio

Eseguire le seguenti operazioni dopo ciascun utilizzo:

- Fare raffreddare l'accessorio prima di riporlo o trasportarlo.
- Conservare in un locale fresco, secco, al coperto e in una posizione elevata, fuori dalla portata dei bambini.

Conservazione stagionale

Preparare l'accessorio prima di riporlo alla fine della stagione o se non si prevede di utilizzarlo per 30 giorni o più. Se non si intende utilizzare l'accessorio del soffiatore per un lungo periodo di tempo:

- Pulire l'unità.

- Controllare che nell'accessorio non vi siano parti allentate o danneggiate. Serrare eventuali viti allentate.
- Sostituire eventuali parti danneggiate, usurate o rotte.
- All'inizio della stagione successiva, utilizzare solo benzina nuova alla concentrazione corretta.

Smaltimento

- Rispettare le norme locali sul riciclaggio e le normative vigenti.
- Quando il prodotto non è più in uso, inviarlo a un rivenditore Husqvarna o smaltirlo presso un impianto di riciclo.

Dati tecnici

Dati tecnici dei prodotti a benzina

BA101	
Peso	
Peso, lb/kg	4,2/1,9
Livelli di rumorosità ¹⁹	
Livello di pressione acustica equivalente, all'udito dell'utente, misurato secondo EN15503 dB(A)	99

¹⁹ Il valore del livello di pressione acustica equivalente viene calcolato con un ciclo di lavoro della durata di 1/7 al minimo e 6/7 in velocità. I dati riportati per il livello di pressione acustica equivalente del macchinario hanno una dispersione statistica tipica (deviazione standard) di 1 dB (A).

BA101	
Livelli di vibrazioni ²⁰	
Livelli di vibrazione equivalenti ($a_{hv,eq}$) sulle impugnature, misurati in base alla norma EN 15503, m/s^2	
Impugnature anteriori/posteriori:	5,6/8,3
Prestazioni della ventola ²¹	
Velocità massima dell'aria con bocchetta standard, mph / m/s:	103/46
Flusso d'aria con bocchetta standard, cfm / m^3/min	297/14

Dati tecnici dei prodotti a batteria

325iLK + Blower attachment BA101	
Peso	
Peso, lb/kg	5,1/2,3,+4,2/1,9
Livelli di rumorosità	
Livello di pressione acustica rispetto all'udito dell'operatore, misurato in base alle norme ISO 26868, dB(A) ²²	
Accessorio approvato (originale) in dotazione, dB (A)	93
Livelli di vibrazioni ²³	
Livelli di vibrazioni delle impugnature, misurati in base alla norma EN 62841-1, m/s^2	
Accessorio approvato (originale) in dotazione, sinistra/destra m/s	1,6/1,1
Prestazioni della ventola ²⁴	
Velocità massima dell'aria in modalità normale con ugello standard, mph / m/s:	101/45
Flusso d'aria con ugello standard in modalità normale, cfm / m^3/min	495/14

²⁰ Il valore del livello di vibrazioni equivalente viene calcolato con un ciclo di lavoro della durata di 1/7 al minimo e 6/7 in velocità. I dati riportati per il livello di vibrazioni equivalenti hanno una dispersione statistica tipica (deviazione standard) di 1 m/s^2 .

²¹ Misurazione effettuata insieme con il gruppo motore 525LK/GC2225C.

²² I dati riportati relativi al livello di pressione acustica della macchina hanno una tipica dispersione statistica (deviazione standard) di 3 dB (A) e sono stati misurati con il gruppo di taglio originale che fornisce il massimo livello. Misurazione effettuata insieme al gruppo motore 325iLK.

²³ I dati riportati per il livello di vibrazioni presentano una dispersione statistica tipica (deviazione standard) di 2 m/s^2 . Per il confronto dei livelli di vibrazioni, della batteria e dei prodotti a combustione, utilizzare il calcolatore delle vibrazioni. Fare riferimento al sito Web <https://www.husqvarna.com/uk/services-solutions/vibration-calculator/>. Misurazione effettuata insieme al gruppo motore 325iLK.

²⁴ Misurazione effettuata insieme al gruppo di potenza 325iLK.

Husqvarna®

www.husqvarna.com

Original instructions
Оригинални инструкции
Původní pokyny
Originale instruktioner
Originalanweisungen
Αρχικές οδηγίες
Instrucciones originales
Originaaljuhend

Alkuperäiset ohjeet
Instructions d'origine
Eredeti útmutatás
Originalios instrukcijos
Original instructions
Instrucciones originales
Instructions d'origine
Istruzioni originali

Lietošanas pamācība
Originele instructies
Originale instruksjoner
Oryginalne instrukcje
Instrucções originais
Instrucțiuni inițiale
Оригинальные инструкции
Původné pokyny
Izvirna navodila
Bruksanvisning i original
Orjinal talimatlar



1156888-38



2025-01-16